

System fittings

General catalogue

2019 / 2020





FITTINGS®
Timeless Connection



Welcome to G-FITTINGS

Let your imagination run wild

Want to create a tasteful atmosphere with a recognized personal touch?
You can, with the product systems of G-FITTINGS. These systems are ideal for your contemporary designs. G-FITTINGS' extensive range gives you virtually unlimited creative freedom to achieve remarkable results. The system solutions from G-FITTINGS will help you to turn your ideas into reality.

System solutions

G-FITTINGS offers sophisticated, professional solutions. A wide range of products, materials and surfaces are available, making the most diverse applications possible. Plus, because all items are mutually coordinated and combinable, it's easy for you to achieve the result you desire. Featuring quick and easy installation, G-FITTINGS' systems provide modern, flexible and economical solutions.

High quality standards

Quality is at the centre of the production and installation of G-FITTINGS. At G-FITTINGS, our very precise manufacturing processes are designed to produce high-quality products with extremely consistent surface appearance. Plus, G-FITTINGS offers quick installation options, providing efficient implementation and excellent results for you.

Perfect logistics for fast delivery

G-FITTINGS always delivers the right product at the right time and right place. We use the latest software and work closely with our UPS and freight forwarding partners. With 5000 m² of storage space filled with approximately 2000 inventory items, we guarantee the shortest possible delivery times. All orders for standard items received before noon are sent out the same day. Custom made products are received within 14 business days.

Our flexibility leads to your success

In addition to our extensive standard range we also have the technical ability to develop and manufacture customized solutions based on your needs and specifications. With this almost all kinds of products and dimensions are possible. Please contact us for advice.





1 Doors and door fittings 8



2 Handles 80



3 Partitioning and awning 92



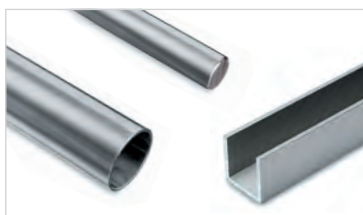
4 Posts, brackets, clamps 110



5 Sanitary interior 154



6 Interior solutions 178



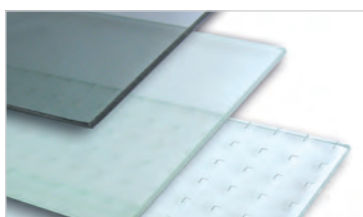
7 Tubes, rods and profiles 236



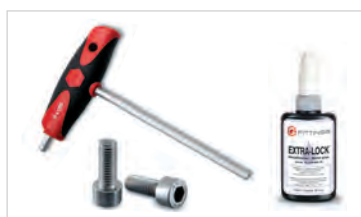
8 Rail fittings 244



9 End caps 262



10 Glass and mirrors 270



11 Accessories 274





1 Flush doors 10



1 Flush door fittings 27



1 Sliding doors 40



1 Sliding door fittings 52



1 Swing doors 56



1 Swing door fittings 60



1 Panel doors 70



1 Panel door fittings 74

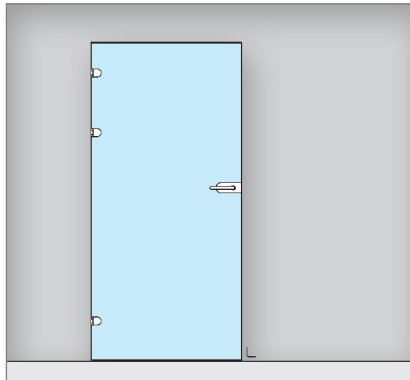
Flush door UV - 5000



Stainless steel design / Chrome design

Door weight max. 45 kg
 Door height max. 2500 mm (glass 8 mm)
 Door width max. 900 mm
 Glass 8 - 10 mm

Wall



Stainless steel design Chrome design

Art.no.	Art.no.
29.5000.001.12	29.5000.001.10

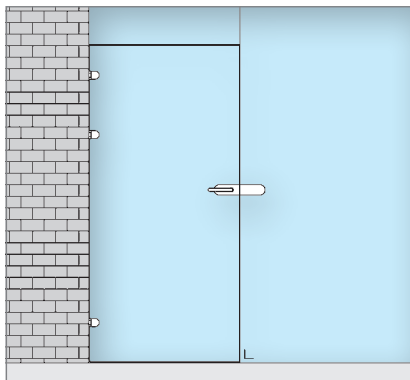


3 x 41.0202.000...
(■ 28)



1 x 45.2210.001...
(■ 36)

Wall / Glass



Stainless steel design Chrome design

Art.no.	Art.no.
29.5000.002.12	29.5000.002.10



3 x 41.0202.000...
(■ 28)

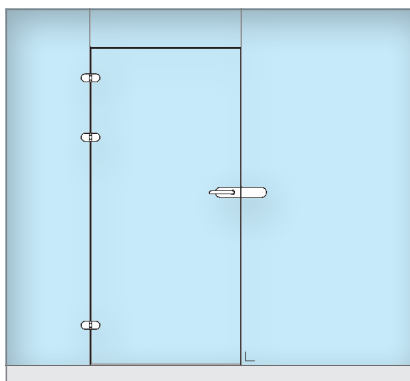


1 x 45.2210.001...
(■ 36)



1 x 45.2211.000...
(■ 36)

Glass / Glass



Stainless steel design Chrome design

Art.no.	Art.no.
29.5000.003.12	29.5000.003.10



3 x 41.0201.000...
(■ 28)



1 x 45.2210.001...
(■ 36)



1 x 45.2211.000...
(■ 36)

For further details visit: www.g-fittings.com

Flush door PZ - 5001



Stainless steel design
Chrome design

Door weight max. 45 kg
Door height max. 2500 mm
(glass 8 mm)
Door width max. 900 mm
Glass 8 - 10 mm



Flush door WC - 5002

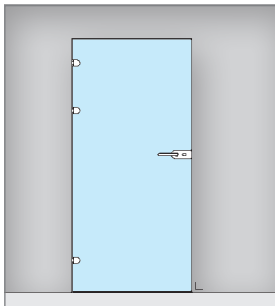


Stainless steel design
Chrome design

Door weight max. 45 kg
Door height max. 2500 mm
(glass 8 mm)
Door width max. 900 mm
Glass 8 - 10 mm



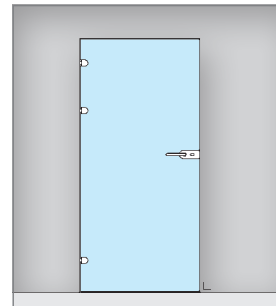
Wall



Stainless steel design	Chrome design
Art.no.	Art.no.
29.5001.001.12	29.5001.001.10



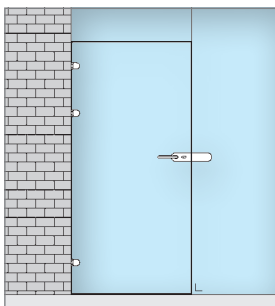
Wall



Stainless steel design	Chrome design
Art.no.	Art.no.
29.5002.001.12	29.5002.001.10



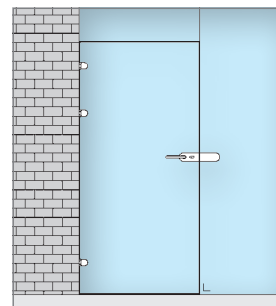
Wall / Glass



Stainless steel design	Chrome design
Art.no.	Art.no.
29.5001.002.12	29.5001.002.10



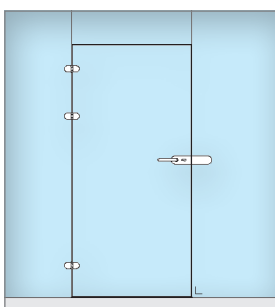
Wall / Glass



Stainless steel design	Chrome design
Art.no.	Art.no.
29.5002.002.12	29.5002.002.10



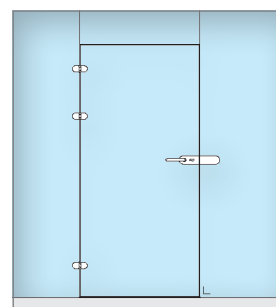
Glass / Glass



Stainless steel design	Chrome design
Art.no.	Art.no.
29.5001.003.12	29.5001.003.10



Glass / Glass



Stainless steel design	Chrome design
Art.no.	Art.no.
29.5002.003.12	29.5002.003.10



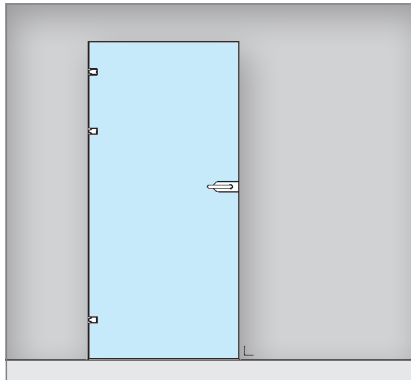
Flush door UV - 5003



Stainless steel design / Chrome design

Door weight max. 45 kg
 Door height max. 2500 mm (glass 8 mm)
 Door width max. 900 mm
 Glass 8 - 10 mm

Wall



Stainless steel design Chrome design

Art.no.	Art.no.
29.5003.001.12	29.5003.001.10

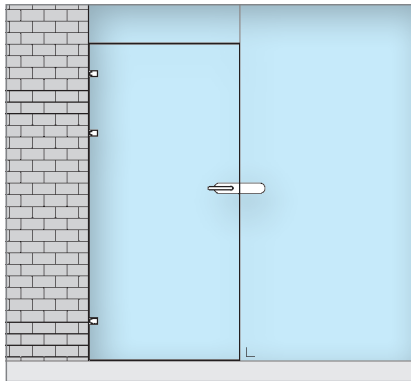


3 x 41.0306.000...
(■ 29)



1 x 45.2210.001...
(■ 36)

Wall / Glass



Stainless steel design Chrome design

Art.no.	Art.no.
29.5003.002.12	29.5003.002.10



3 x 41.0306.000...
(■ 29)

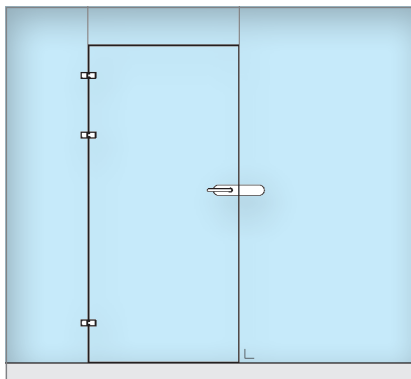


1 x 45.2210.001...
(■ 36)



1 x 45.2211.000...
(■ 36)

Glass / Glass



Stainless steel design Chrome design

Art.no.	Art.no.
29.5003.003.12	29.5003.003.10



3 x 41.0305.000...
(■ 29)



1 x 45.2210.001...
(■ 36)



1 x 45.2211.000...
(■ 36)

For further details visit: www.g-fittings.com

Flush door PZ - 5004



Stainless steel design
Chrome design

Door weight max. 45 kg
Door height max. 2500 mm
(glass 8 mm)
Door width max. 900 mm
Glass 8 - 10 mm

INFO optional



Flush door WC - 5005

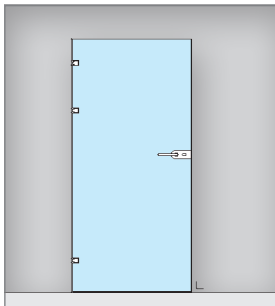


Stainless steel design
Chrome design

Door weight max. 45 kg
Door height max. 2500 mm
(glass 8 mm)
Door width max. 900 mm
Glass 8 - 10 mm



Wall

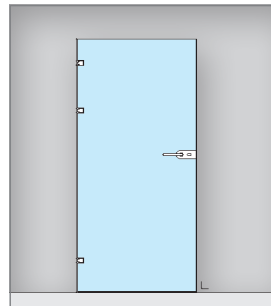


Stainless steel design	Chrome design
Art.no.	Art.no.
29.5004.001.12	29.5004.001.10



3 x 41.0306.000... (29)
1 x 45.2210.002... (36)

Wall

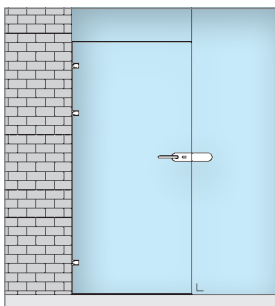


Stainless steel design	Chrome design
Art.no.	Art.no.
29.5005.001.12	29.5005.001.10



3 x 41.0306.000... (29)
1 x 45.2210.003... (37)

Wall / Glass

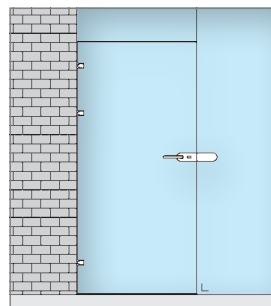


Stainless steel design	Chrome design
Art.no.	Art.no.
29.5004.002.12	29.5004.002.10



3 x 41.0306.000... (29)
1 x 45.2210.002... (36)
1 x 45.2211.000... (36)

Wall / Glass

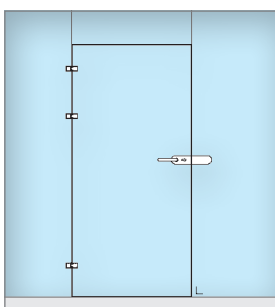


Stainless steel design	Chrome design
Art.no.	Art.no.
29.5005.002.12	29.5005.002.10



3 x 41.0306.000... (29)
1 x 45.2210.003... (37)
1 x 45.2211.000... (36)

Glass / Glass

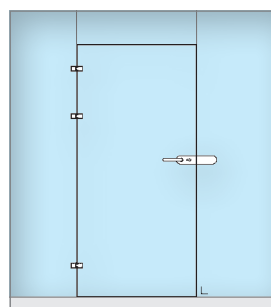


Stainless steel design	Chrome design
Art.no.	Art.no.
29.5004.003.12	29.5004.003.10



3 x 41.0305.000... (29)
1 x 45.2210.002... (36)
1 x 45.2211.000... (36)

Glass / Glass



Stainless steel design	Chrome design
Art.no.	Art.no.
29.5005.003.12	29.5005.003.10



3 x 41.0305.000... (29)
1 x 45.2210.003... (37)
1 x 45.2211.000... (36)

Flush door UV - 5006

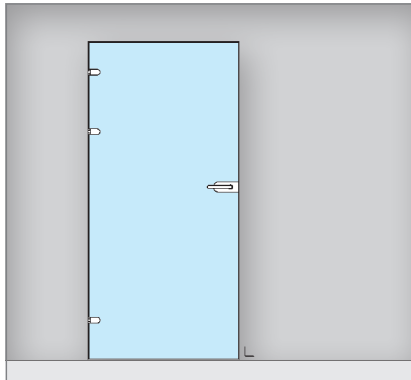
1



Stainless steel design / Chrome design

Door weight max. 45 kg
 Door height max. 2500 mm (glass 8 mm)
 Door width max. 900 mm
 Glass 8 - 10 mm

Wall



Stainless steel design	Chrome design
Art.no.	Art.no.
29.5006.001.12	29.5006.001.10

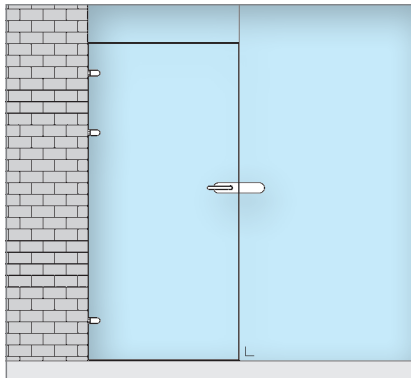


3 x 41.0406.000...
(= 29)



1 x 45.2210.001...
(= 36)

Wall / Glass



Stainless steel design	Chrome design
Art.no.	Art.no.
29.5006.002.12	29.5006.002.10



3 x 41.0406.000...
(= 29)

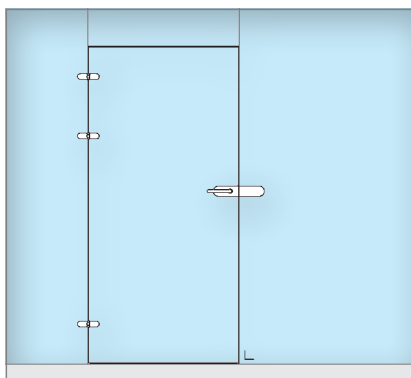


1 x 45.2210.001...
(= 36)



1 x 45.2211.000...
(= 36)

Glass / Glass



Stainless steel design	Chrome design
Art.no.	Art.no.
29.5006.003.12	29.5006.003.10



3 x 41.0405.000...
(= 29)



1 x 45.2210.001...
(= 36)



1 x 45.2211.000...
(= 36)

For further details visit: www.g-fittings.com

Flush door PZ - 5007



Stainless steel design
Chrome design

Door weight max. 45 kg
Door height max. 2500 mm
(glass 8 mm)
Door width max. 900 mm
Glass 8 - 10 mm

INFO optional



Flush door WC - 5008

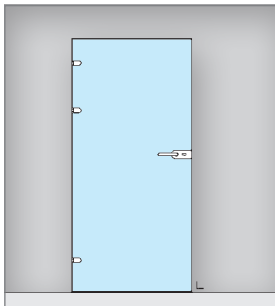


Stainless steel design
Chrome design

Door weight max. 45 kg
Door height max. 2500 mm
(glass 8 mm)
Door width max. 900 mm
Glass 8 - 10 mm



Wall

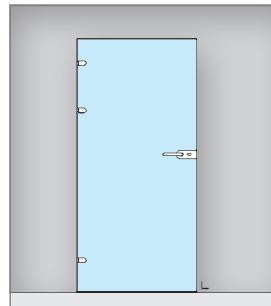


Stainless steel design	Chrome design
Art.no.	Art.no.
29.5007.001.12	29.5007.001.10



3 x 41.0406.000... (29)	1 x 45.2210.002... (36)
-------------------------------	-------------------------------

Wall

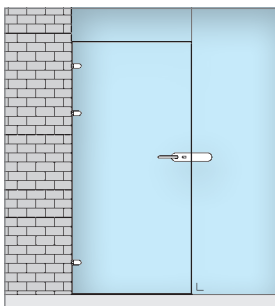


Stainless steel design	Chrome design
Art.no.	Art.no.
29.5008.001.12	29.5008.001.10



3 x 41.0406.000... (29)	1 x 45.2210.003... (37)
-------------------------------	-------------------------------

Wall / Glass

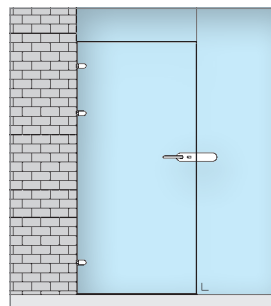


Stainless steel design	Chrome design
Art.no.	Art.no.
29.5007.002.12	29.5007.002.10



3 x 41.0406.000... (29)	1 x 45.2210.002... (36)	1 x 45.2211.000... (36)
-------------------------------	-------------------------------	-------------------------------

Wall / Glass

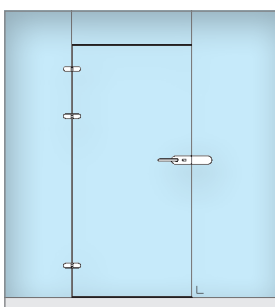


Stainless steel design	Chrome design
Art.no.	Art.no.
29.5008.002.12	29.5008.002.10



3 x 41.0406.000... (29)	1 x 45.2210.003... (37)	1 x 45.2211.000... (36)
-------------------------------	-------------------------------	-------------------------------

Glass / Glass

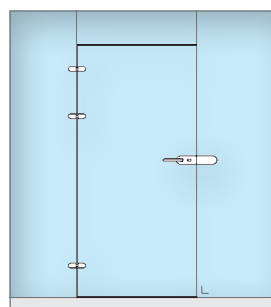


Stainless steel design	Chrome design
Art.no.	Art.no.
29.5007.003.12	29.5007.003.10



3 x 41.0405.000... (29)	1 x 45.2210.002... (36)	1 x 45.2211.000... (36)
-------------------------------	-------------------------------	-------------------------------

Glass / Glass



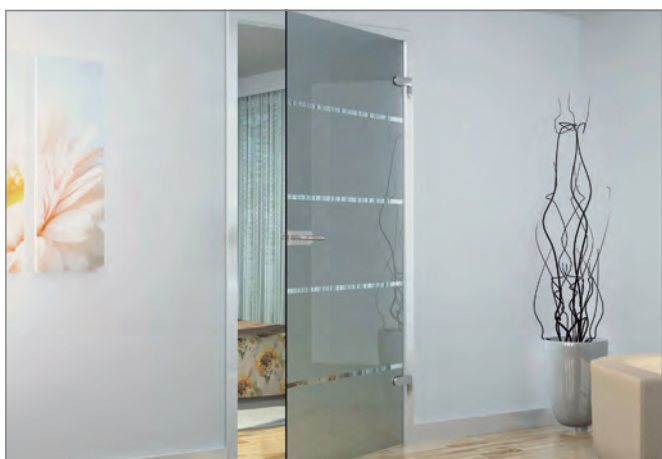
Stainless steel design	Chrome design
Art.no.	Art.no.
29.5008.003.12	29.5008.003.10



3 x 41.0405.000... (29)	1 x 45.2210.003... (37)	1 x 45.2211.000... (36)
-------------------------------	-------------------------------	-------------------------------

Flush door UV - 5009

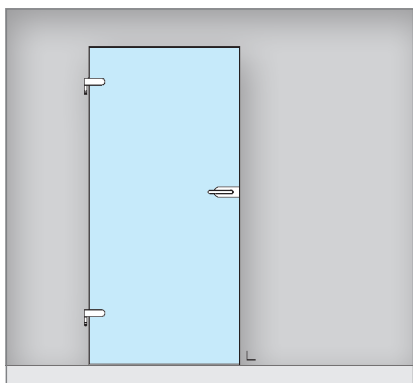
1



Stainless steel design / Chrome design

Door weight max. 50 kg
 Door height max. 2500 mm (glass 8 mm)
 Door width max. 1000 mm
 Glass 8 - 10 mm

Wall



Stainless steel design	Chrome design
Art.no.	Art.no.
29.5009.001.12	29.5009.001.10

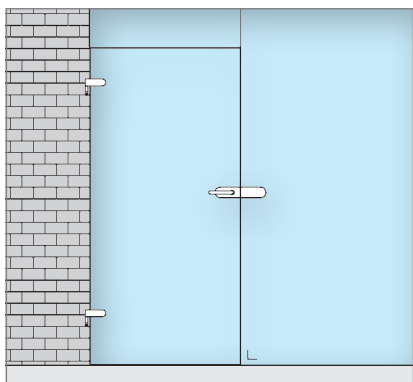


2 x 45.2250.000...
(= 28)



1 x 45.2210.001...
(= 36)

Wall / Glass



Stainless steel design	Chrome design
Art.no.	Art.no.
29.5009.002.12	29.5009.002.10



2 x 45.2250.000...
(= 28)



1 x 45.2210.001...
(= 36)



1 x 45.2211.000...
(= 36)

For further details visit: www.g-fittings.com

Flush door PZ - 5010



Stainless steel design
Chrome design

Door weight max. 50 kg
Door height max. 2500 mm
(glass 8 mm)
Door width max. 1000 mm
Glass 8 - 10 mm

INFO optional

38

Flush door WC - 5011

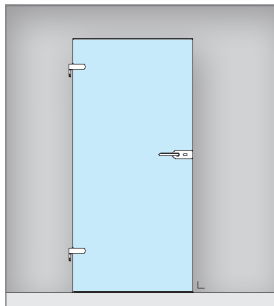


Stainless steel design
Chrome design

Door weight max. 50 kg
Door height max. 2500 mm
(glass 8 mm)
Door width max. 1000 mm
Glass 8 - 10 mm



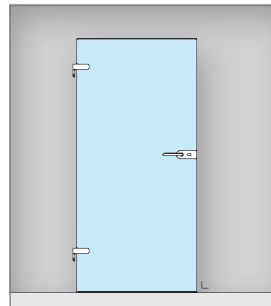
Wall



Stainless steel design	Chrome design
Art.no.	Art.no.
29.5010.001.12	29.5010.001.10

2 x 45.2250.000... (38)	1 x 45.2210.002... (36)

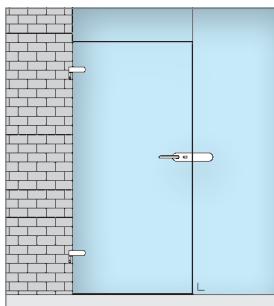
Wall



Stainless steel design	Chrome design
Art.no.	Art.no.
29.5011.001.12	29.5011.001.10

2 x 45.2250.000... (38)	1 x 45.2210.003... (37)

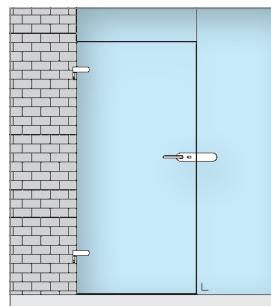
Wall / Glass



Stainless steel design	Chrome design
Art.no.	Art.no.
29.5010.002.12	29.5010.002.10

2 x 45.2250.000... (38)	1 x 45.2210.002... (36)	1 x 45.2211.000... (36)

Wall / Glass

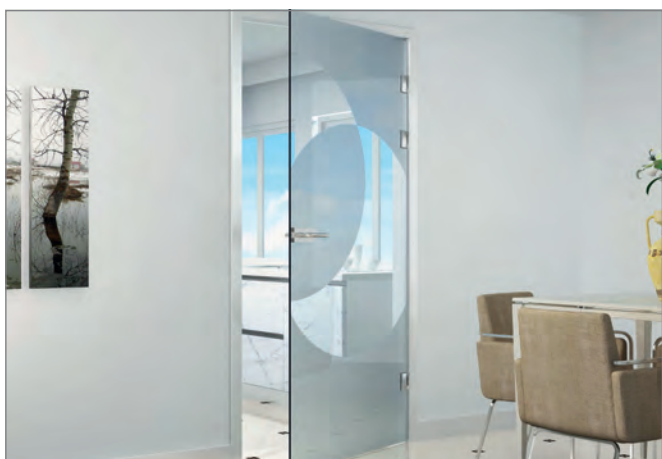


Stainless steel design	Chrome design
Art.no.	Art.no.
29.5011.002.12	29.5011.002.10

2 x 45.2250.000... (38)	1 x 45.2210.003... (37)	1 x 45.2211.000... (36)

Flush door UV - 5026

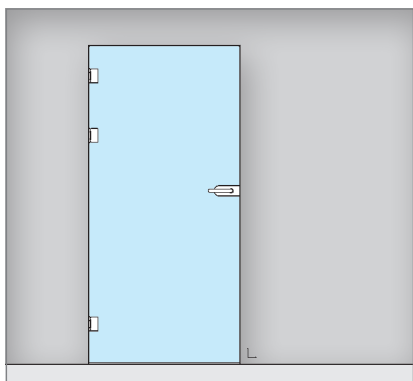
1



Stainless steel design / Chrome design

Door weight max. 50 kg
 Door height max. 2275 mm (glass 8 mm)
 Door width max. 1100 mm
 Glass 8 - 10 mm

Wall



Stainless steel design	Chrome design
Art.no.	Art.no.
29.5026.001.12	29.5026.001.10

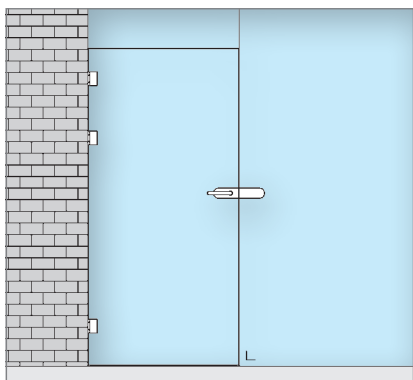


3 x 45.2240.000...
(= 28)



1 x 45.2210.001...
(= 36)

Wall / Glass



Stainless steel design	Chrome design
Art.no.	Art.no.
29.5026.002.12	29.5026.002.10



3 x 45.2240.000...
(= 28)



1 x 45.2210.001...
(= 36)



1 x 45.2211.000...
(= 36)

For further details visit: www.g-fittings.com

Flush door PZ - 5027



Stainless steel design
Chrome design

Door weight max. 50 kg
Door height max. 2275 mm
(glass 8 mm)
Door width max. 1100 mm
Glass 8 - 10 mm

INFO optional

38

Flush door WC - 5028

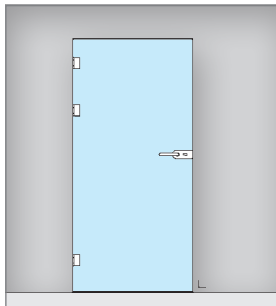


Stainless steel design
Chrome design

Door weight max. 50 kg
Door height max. 2275 mm
(glass 8 mm)
Door width max. 1100 mm
Glass 8 - 10 mm



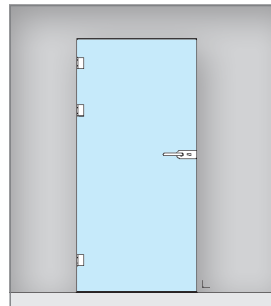
Wall



Stainless steel design	Chrome design
Art.no.	Art.no.
29.5027.001.12	29.5027.001.10

3 x 45.2240.000... (28)	1 x 45.2210.002... (36)

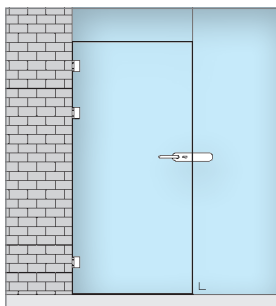
Wall



Stainless steel design	Chrome design
Art.no.	Art.no.
29.5028.001.12	29.5028.001.10

3 x 45.2240.000... (28)	1 x 45.2210.003... (37)

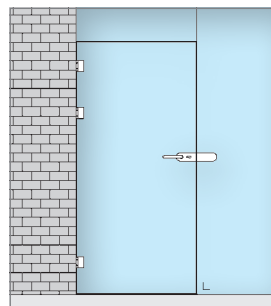
Wall / Glass



Stainless steel design	Chrome design
Art.no.	Art.no.
29.5027.002.12	29.5027.002.10

3 x 45.2240.000... (28)	1 x 45.2210.002... (36)	1 x 45.2211.000... (36)

Wall / Glass



Stainless steel design	Chrome design
Art.no.	Art.no.
29.5028.002.12	29.5028.002.10

3 x 45.2240.000... (28)	1 x 45.2210.003... (37)	1 x 45.2211.000... (36)

Flush door PZ - 5020



Stainless steel design

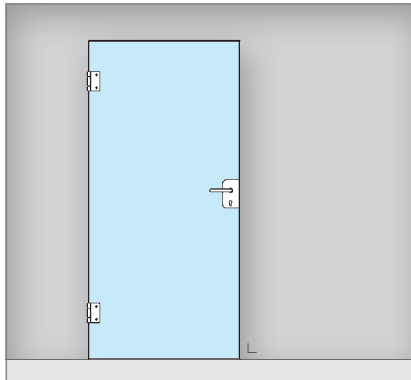
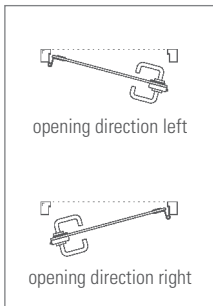
Door weight max. 70 kg
 Door height max. 2900 mm (glass 10 mm)
 Door width max. 1200 mm
 Glass 10 - 12 mm

INFO optional



38

Wall



opening direction left

Art.no.

29.5020.101.12



2 x 45.2702.000.12
 (31)



1 x 45.2910.002.12
 (38)

opening direction right

Art.no.

29.5020.201.12

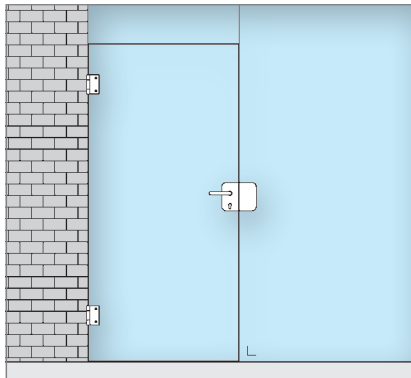
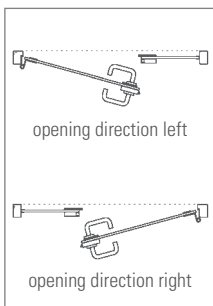


2 x 45.2702.000.12
 (31)



1 x 45.2920.002.12
 (38)

Wall / Glass



opening direction left

Art.no.

29.5020.102.12



2 x 45.2702.000.12
 (31)



1 x 45.2910.005.12
 (38)

opening direction right

Art.no.

29.5020.202.12

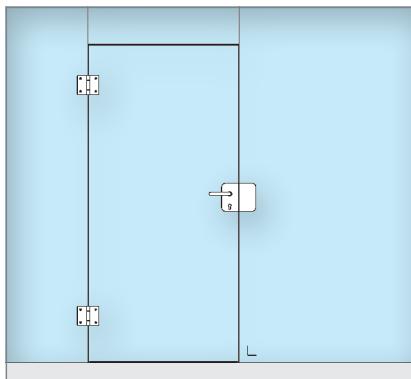
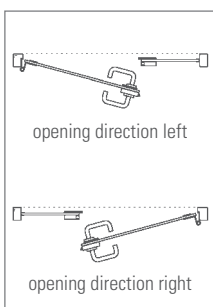


2 x 45.2702.000.12
 (31)



1 x 45.2920.005.12
 (38)

Glass / Glass



opening direction left

Art.no.

29.5020.103.12



2 x 45.2701.000.12
 (31)



1 x 45.2910.005.12
 (38)

opening direction right

Art.no.

29.5020.203.12



2 x 45.2701.000.12
 (31)



1 x 45.2920.005.12
 (38)

For further details visit: www.g-fittings.com

Flush door WC - 5021

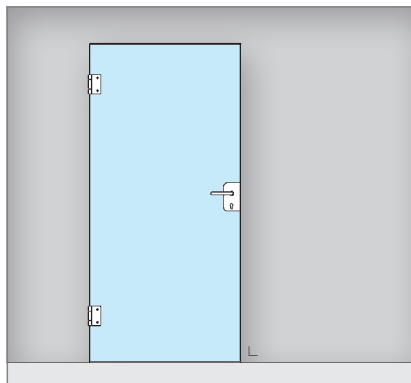
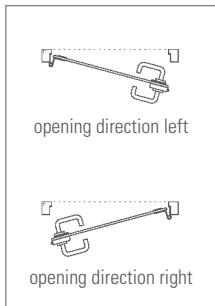


Stainless steel design

Door weight max. 70 kg
 Door height max. 2900 mm (glass 10 mm)
 Door width max. 1200 mm
 Glass 10 - 12 mm



Wall



opening direction left

Art.no.
 29.5021.101.12



2 x 45.2702.000.12 (31) 1 x 45.2910.003.12 (39)

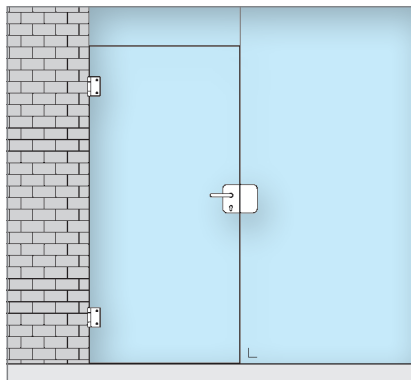
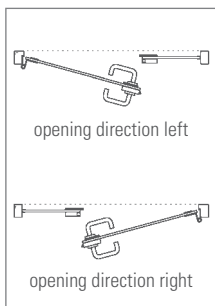
opening direction right

Art.no.
 29.5021.201.12



2 x 45.2702.000.12 (31) 1 x 45.2920.003.12 (39)

Wall / Glass



opening direction left

Art.no.
 29.5021.102.12



2 x 45.2702.000.12 (31) 1 x 45.2910.006.12 (39)

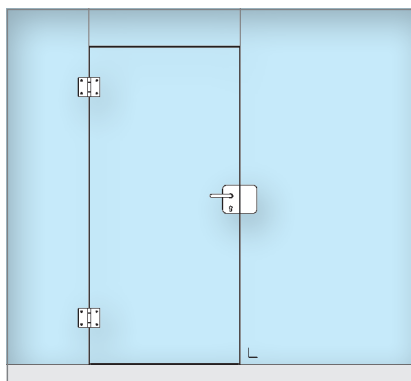
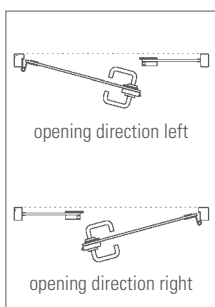
opening direction right

Art.no.
 29.5021.202.12



2 x 45.2702.000.12 (31) 1 x 45.2920.006.12 (39)

Glass / Glass



opening direction left

Art.no.
 29.5021.103.12



2 x 45.2701.000.12 (31) 1 x 45.2910.006.12 (39)

opening direction right

Art.no.
 29.5021.203.12



2 x 45.2701.000.12 (31) 1 x 45.2920.006.12 (39)

For further details visit: www.g-fittings.com

Flush door PZ - 5022



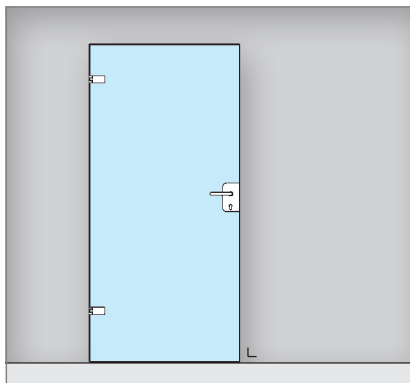
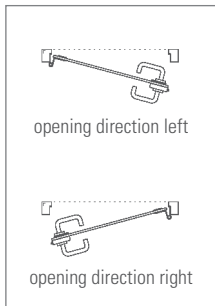
Stainless steel design

Door weight max. 50 kg
 Door height max. 2225 mm (glass 10 mm)
 Door width max. 900 mm
 Glass 8 - 10 mm

INFO optional



Wall



opening direction left

Art.no.
29.5022.101.12



2 x 41.0501.090.12 (30) 1 x 45.2910.002.12 (38)

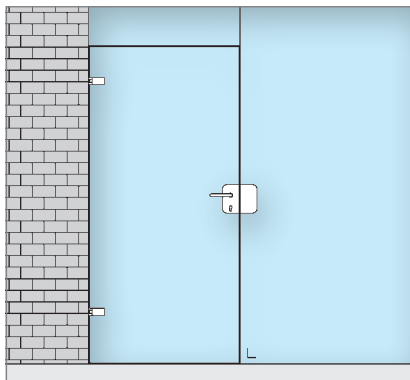
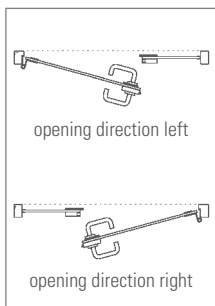
opening direction right

Art.no.
29.5022.201.12



2 x 41.0501.090.12 (30) 1 x 45.2920.002.12 (38)

Wall / Glass



opening direction left

Art.no.
29.5022.102.12



2 x 41.0501.090.12 (30) 1 x 45.2910.005.12 (38)

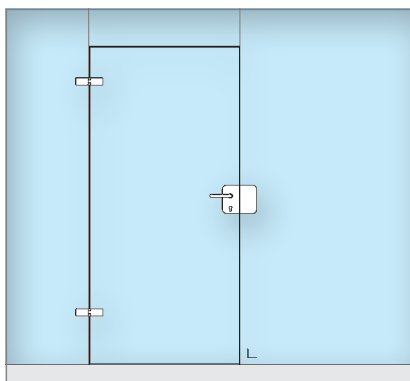
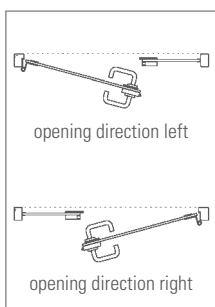
opening direction right

Art.no.
29.5022.202.12



2 x 41.0501.090.12 (30) 1 x 45.2920.005.12 (38)

Glass / Glass



opening direction left

Art.no.
29.5022.103.12



2 x 41.0502.180.12 (30) 1 x 45.2910.005.12 (38)

opening direction right

Art.no.
29.5022.203.12



2 x 41.0502.180.12 (30) 1 x 45.2920.005.12 (38)

For further details visit: www.g-fittings.com

Flush door WC - 5023

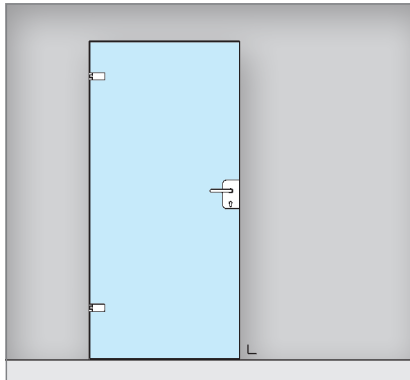
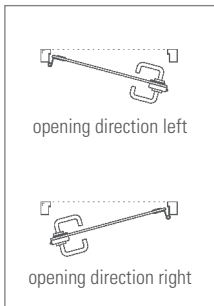


Stainless steel design

Door weight max. 50 kg
 Door height max. 2225 mm (glass 10 mm)
 Door width max. 900 mm
 Glass 8 - 10 mm



Wall



opening direction left

Art.no.
 29.5023.101.12



2 x 41.0501.090.12 (30) 1 x 45.2910.003.12 (39)

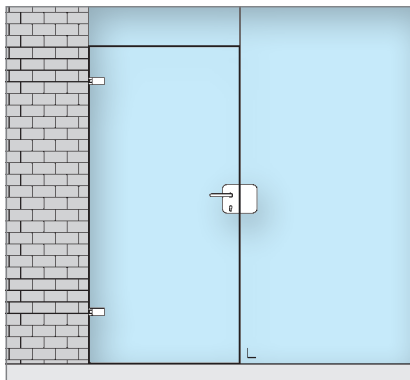
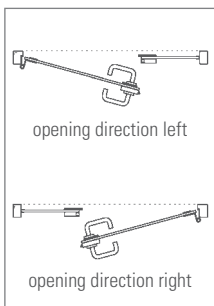
opening direction right

Art.no.
 29.5023.201.12



2 x 41.0501.090.12 (30) 1 x 45.2920.003.12 (39)

Wall / Glass



opening direction left

Art.no.
 29.5023.102.12



2 x 41.0501.090.12 (30) 1 x 45.2910.006.12 (39)

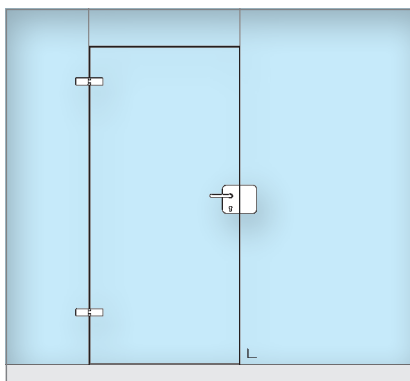
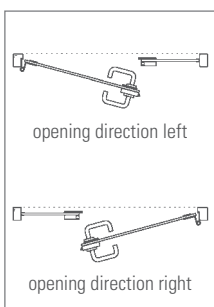
opening direction right

Art.no.
 29.5023.202.12



2 x 41.0501.090.12 (30) 1 x 45.2920.006.12 (39)

Glass / Glass



opening direction left

Art.no.
 29.5023.103.12



2 x 41.0502.180.12 (30) 1 x 45.2910.006.12 (39)

opening direction right

Art.no.
 29.5023.203.12



2 x 41.0502.180.12 (30) 1 x 45.2920.006.12 (39)

For further details visit: www.g-fittings.com

Flush door PZ - 5024



Stainless steel design

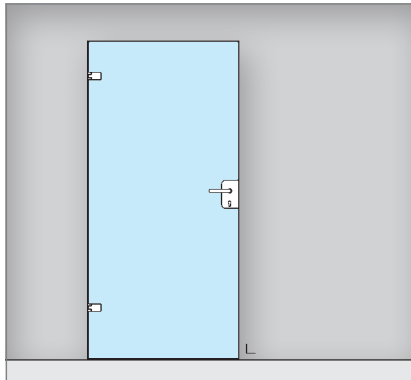
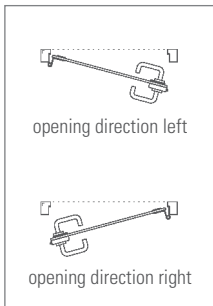
Door weight max. 50 kg
 Door height max. 2225 mm (glass 10 mm)
 Door width max. 900 mm
 Glass 8 - 10 mm

INFO optional



▣ 38

Wall



opening direction left

Art.no.

29.5024.101.12



2 x 41.0503.090.12
 (▣ 30)



1 x 45.2910.002.12
 (▣ 38)

opening direction right

Art.no.

29.5024.201.12

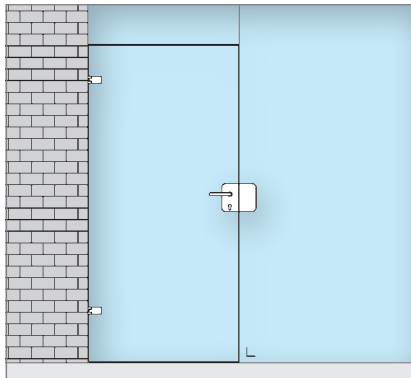
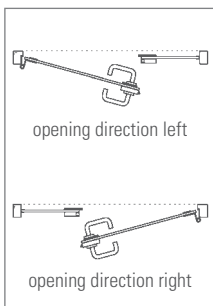


2 x 41.0503.090.12
 (▣ 30)



1 x 45.2920.002.12
 (▣ 38)

Wall / Glass



opening direction left

Art.no.

29.5024.102.12



2 x 41.0503.090.12
 (▣ 30)



1 x 45.2910.005.12
 (▣ 38)

opening direction right

Art.no.

29.5024.202.12

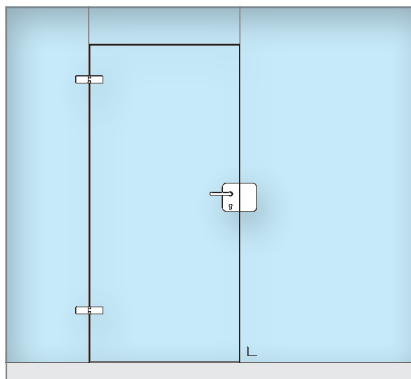
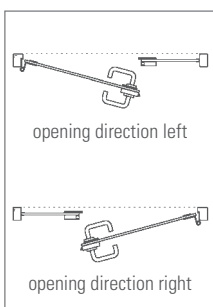


2 x 41.0503.090.12
 (▣ 30)



1 x 45.2920.005.12
 (▣ 38)

Glass / Glass



opening direction left

Art.no.

29.5024.103.12



2 x 41.0502.180.12
 (▣ 30)



1 x 45.2910.005.12
 (▣ 38)

opening direction right

Art.no.

29.5024.203.12



2 x 41.0502.180.12
 (▣ 30)



1 x 45.2920.005.12
 (▣ 38)

For further details visit: www.g-fittings.com

Flush door WC - 5025

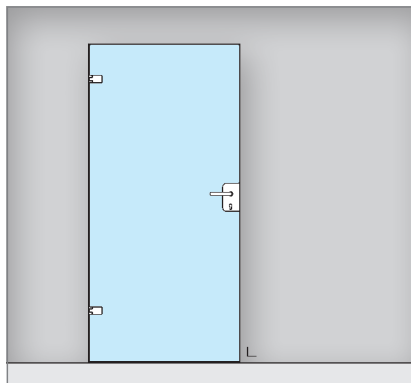
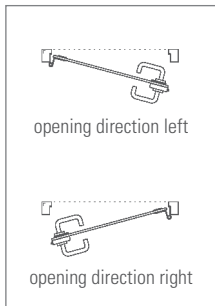


Stainless steel design

Door weight max. 50 kg
 Door height max. 2225 mm (glass 10 mm)
 Door width max. 900 mm
 Glass 8 - 10 mm



Wall



opening direction left

Art.no.
 29.5025.101.12



2 x 41.0503.090.12 (30)
 1 x 45.2910.003.12 (39)

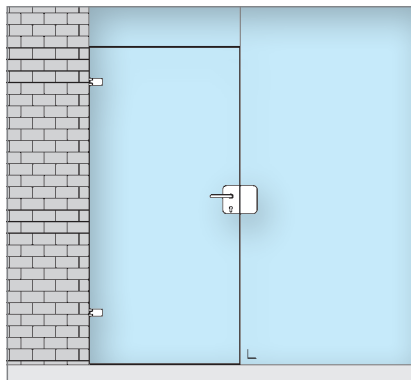
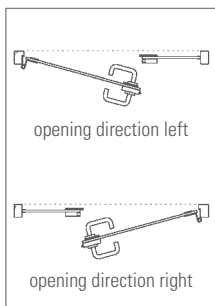
opening direction right

Art.no.
 29.5025.201.12



2 x 41.0503.090.12 (30)
 1 x 45.2920.003.12 (39)

Wall / Glass



opening direction left

Art.no.
 29.5025.102.12



2 x 41.0503.090.12 (30)
 1 x 45.2910.006.12 (39)

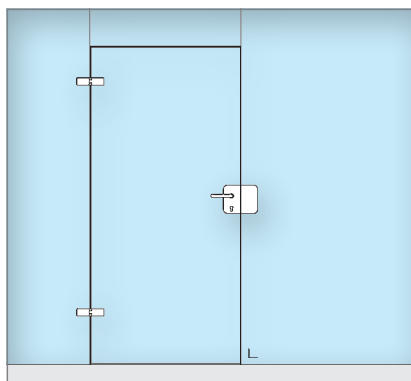
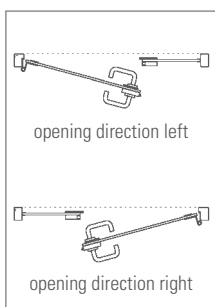
opening direction right

Art.no.
 29.5025.202.12



2 x 41.0503.090.12 (30)
 1 x 45.2920.006.12 (39)

Glass / Glass



opening direction left

Art.no.
 29.5025.103.12



2 x 41.0502.180.12 (30)
 1 x 45.2910.006.12 (39)

opening direction right

Art.no.
 29.5025.203.12



2 x 41.0502.180.12 (30)
 1 x 45.2920.006.12 (39)

For further details visit: www.g-fittings.com

Flush door UV - 5051



Stainless steel design

Door weight max. 100 kg
 Door height max. 2650 mm
 Door width max. 1000 mm
 Glass 10 mm

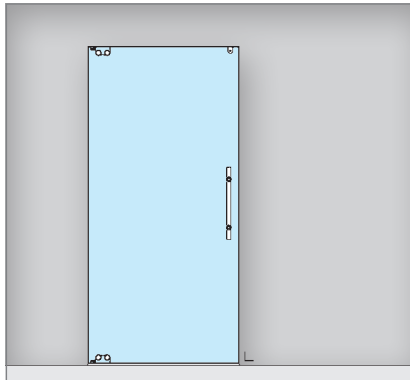
INFO Opening direction

DIN left DIN right

INFO optional

▣ 82 - ▣ 91

Wall



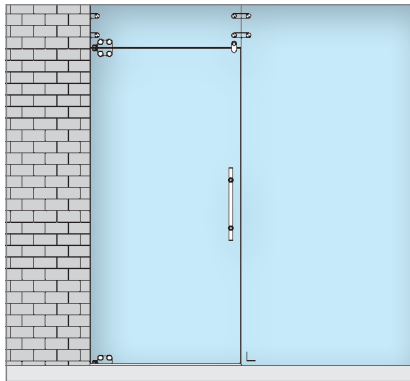
DIN left Art.no. 29.5051.101.12

1 x 45.4610... (▣ 32) 1 x 45.4110... (▣ 32) 1 x 45.4010... (▣ 32) 1 x 45.2170... (▣ 68) 1 x 45.0220... (▣ 33)

DIN right Art.no. 29.5051.201.12

1 x 45.4620... (▣ 32) 1 x 45.4120... (▣ 32) 1 x 45.4020... (▣ 32) 1 x 45.2170... (▣ 68) 1 x 45.0220... (▣ 33)

Wall / Glass



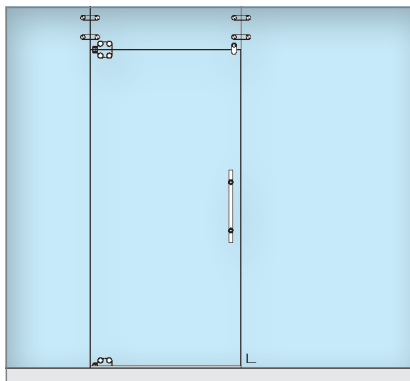
DIN left Art.no. 29.5051.102.12

2 x 40.0202... (▣ 33) 2 x 40.0201... (▣ 33) 1 x 45.4200... (▣ 32) 1 x 45.4010... (▣ 32) 1 x 45.2170... (▣ 68) 1 x 45.0221... (▣ 33)

DIN right Art.no. 29.5051.202.12

2 x 40.0202... (▣ 33) 2 x 40.0201... (▣ 33) 1 x 45.4200... (▣ 32) 1 x 45.4020... (▣ 32) 1 x 45.2170... (▣ 68) 1 x 45.0221... (▣ 33)

Glass / Glass



DIN left Art.no. 29.5051.103.12

4 x 40.0201... (▣ 33) 1 x 45.4200... (▣ 32) 1 x 45.4010... (▣ 32) 1 x 45.2170... (▣ 68) 1 x 45.0221... (▣ 33)

DIN right Art.no. 29.5051.203.12

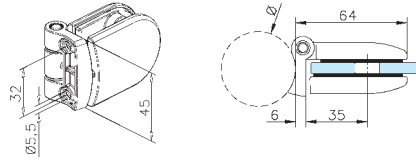
4 x 40.0201... (▣ 33) 1 x 45.4200... (▣ 32) 1 x 45.4020... (▣ 32) 1 x 45.2170... (▣ 68) 1 x 45.0221... (▣ 33)

For further details visit: www.g-fittings.com

Door hinge - 281



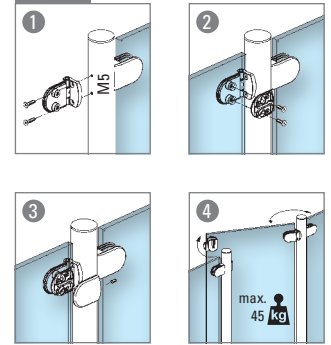
for tube



Stainless steel design

Art.no.	Ø	glass
14.0281.038.12	38,1 - 42,4 mm	6 - 12,76 mm
14.0281.050.12	48,3 - 50,8 mm	6 - 12,76 mm

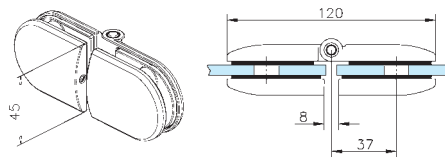
INFO 14.0281...



Door hinge - 281 / 500



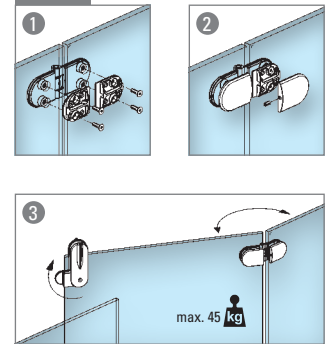
glass/glass



Stainless steel design

Art.no.	glass
14.0281.500.12	6 - 12,76 mm

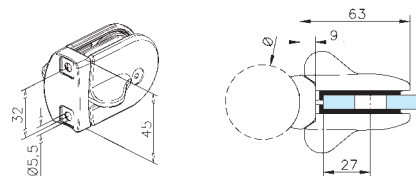
INFO 14.0281.500.12



Door lock - 282



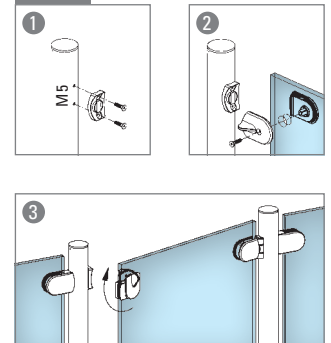
for tube



Stainless steel design

Art.no.	Ø	glass
14.0282.038.12	38,1 - 42,4 mm	6 - 12,76 mm
14.0282.050.12	48,3 - 50,8 mm	6 - 12,76 mm

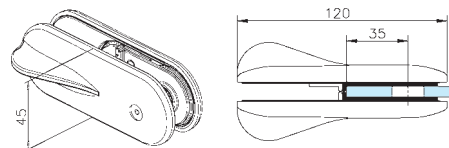
INFO 14.0282...



Door lock - 282 / 500



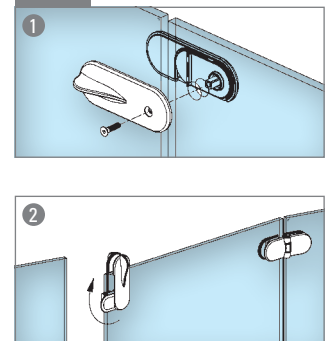
glass/glass



Stainless steel design

Art.no.	glass
14.0282.500.12	6 - 12,76 mm

INFO 14.0282.500.12



Door hinge - 201



glass/glass

Stainless steel design

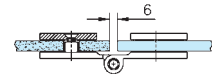
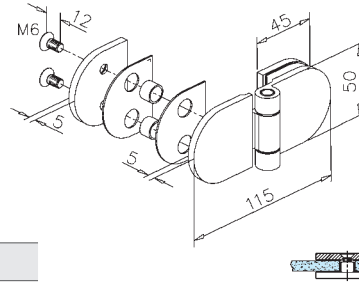
Art.no.
41.0201.000.12

Chrome design

Art.no.
41.0201.000.10

glass

6 - 10 mm



Door hinge - 202



glass/wall

Stainless steel design

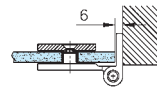
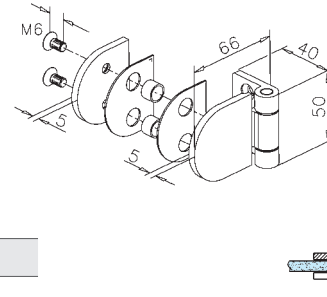
Art.no.
41.0202.000.12

Chrome design

Art.no.
41.0202.000.10

glass

6 - 10 mm



Door hinge - 2240



Stainless steel design

Art.no.
45.2240.000.20

Chrome design

Art.no.
45.2240.000.23

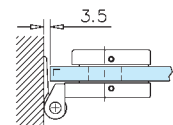
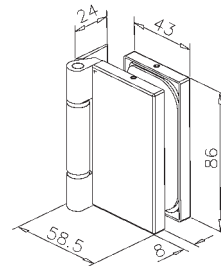
NEW

Anthracite design

Art.no.
45.2240.000.26

glass

8 - 10 mm



Door hinge - 2250



Stainless steel design

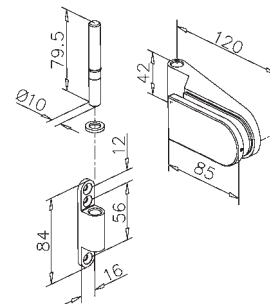
Art.no.
45.2250.000.20

Chrome design

Art.no.
45.2250.000.23

glass

8 - 10 mm



Door hinge - 305

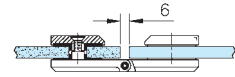
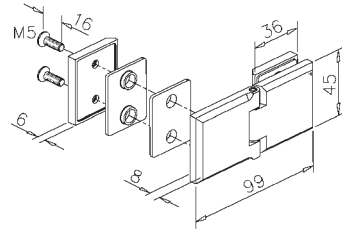


glass/glass

Stainless steel design

Chrome design

Art.no.	Art.no.	glass
41.0305.000.12	41.0305.000.10	6 - 10 mm



Door hinge - 306

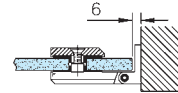
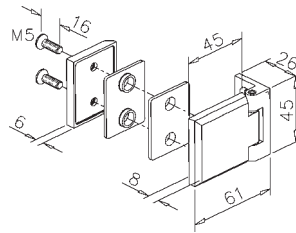


glass/wall

Stainless steel design

Chrome design

Art.no.	Art.no.	glass
41.0306.000.12	41.0306.000.10	6 - 10 mm



Door hinge - 405



glass/glass

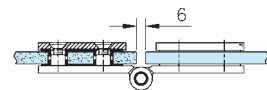
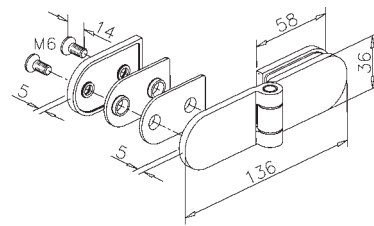
NEW

Stainless steel design

Chrome design

Anthracite design

Art.no.	Art.no.	Art.no.	glass
41.0405.000.12	41.0405.000.10	41.0405.000.26	6 - 10 mm



Door hinge - 406



glass/wall

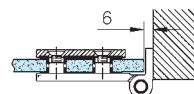
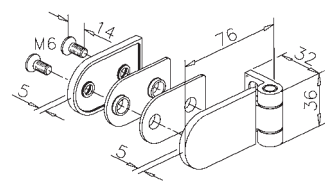
NEW

Stainless steel design

Chrome design

Anthracite design

Art.no.	Art.no.	Art.no.	glass
41.0406.000.12	41.0406.000.10	41.0406.000.26	6 - 10 mm



INFO Finishes



Door hinge - 501



glass/wall

Stainless steel design

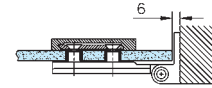
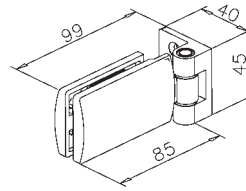
Art.no.
41.0501.090.12

Chrome design

Art.no.
41.0501.090.10

glass

6 - 10 mm



Door hinge - 502



glass/glass

Stainless steel design

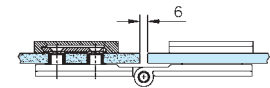
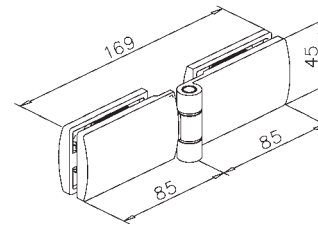
Art.no.
41.0502.180.12

Chrome design

Art.no.
41.0502.180.10

glass

6 - 10 mm



Door hinge - 503



glass/wall

Stainless steel design

Art.no.
41.0503.090.12

Chrome design

Art.no.
41.0503.090.10

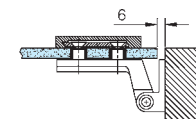
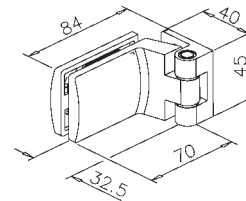
NEW

Anthracite design

Art.no.
41.0503.090.26

glass

6 - 10 mm



Door hinge - 504



glass/wall

Stainless steel design

Art.no.
41.0504.090.12

Chrome design

Art.no.
41.0504.090.10

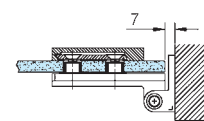
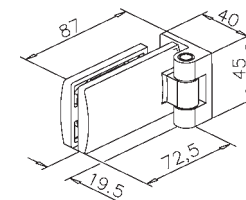
Anthracite design

Art.no.
41.0504.090.26

glass

6 - 10 mm

NEW



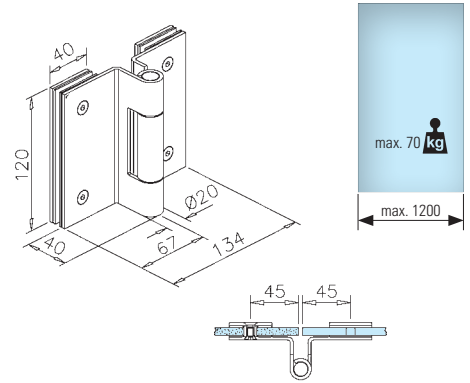
Door hinge - 2701



glass/glass

Stainless steel design

Art.no.	glass
45.2701.000.12	10 - 12 mm



Door hinge - 2702



glass/wood

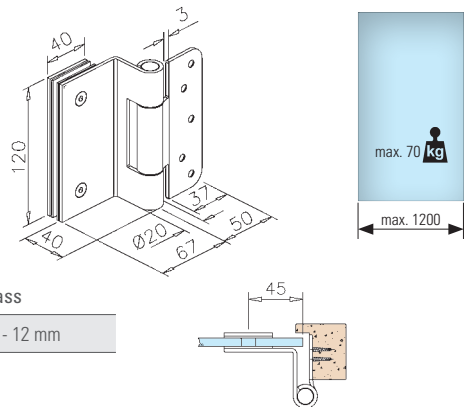
Stainless steel design

Chrome design

NEW

Anthracite design

Art.no.	Art.no.	Art.no.	glass
45.2702.000.12	45.2702.000.10	45.2702.000.26	10 - 12 mm



Door hinge set - 1501 / 180 (pair)



hydraulic H-S



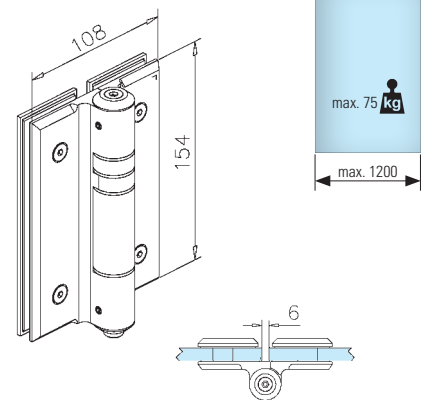
self-closing S-O

glass/glass

Stainless steel design

NEW

Art.no.	glass
45.1501.180.12	8 - 12,76 mm



Door hinge set - 1501 / 090 (pair)



hydraulic H-S



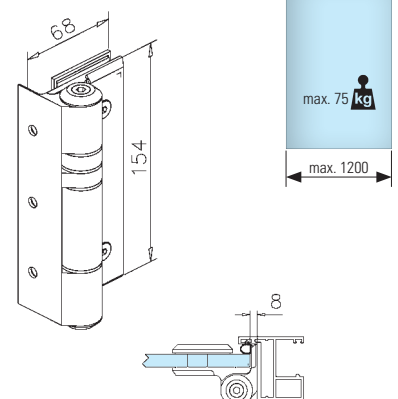
self-closing S-O

glass/wall

Stainless steel design

NEW

Art.no.	glass
45.1501.090.12	8 - 12,76 mm

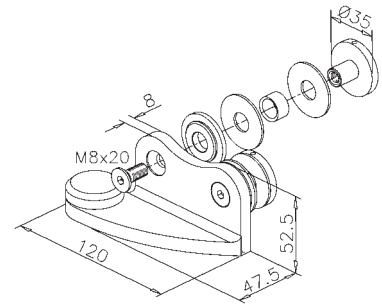


Bottom offset fitting - 4010/4020



Stainless steel design

	Art.no.	glass
DIN-L	45.4010.000.12	10 - 12 mm
DIN-R	45.4020.000.12	10 - 12 mm

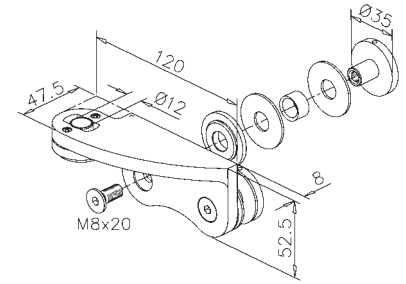


Upper offset fitting - 4110/4120



Stainless steel design

	Art.no.	glass
DIN-L	45.4110.000.12	10 - 12 mm
DIN-R	45.4120.000.12	10 - 12 mm

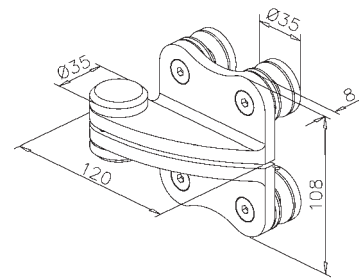


Overpanel offset fitting - 4200



Stainless steel design

	Art.no.	glass
DIN-L + DIN-R	45.4200.000.12	10 - 12 mm

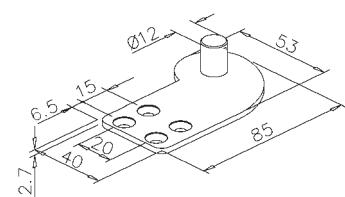


Upper pivot - 4610/4620

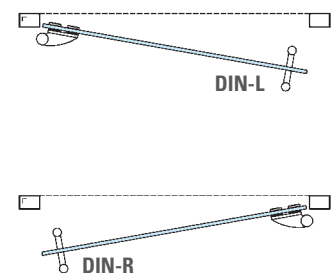
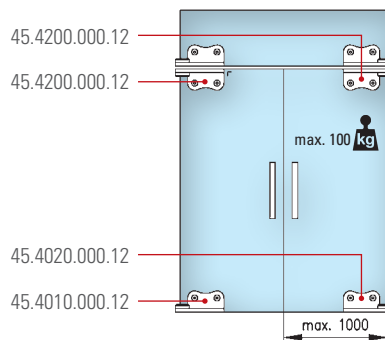
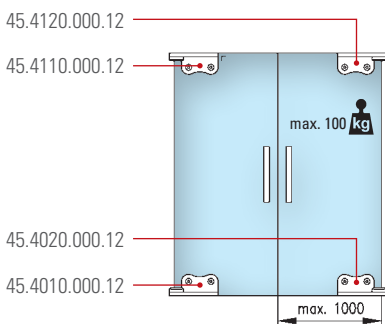


Stainless steel design

	Art.no.
DIN-L	45.4610.012.12
DIN-R	45.4620.012.12



INFO 45.4010...



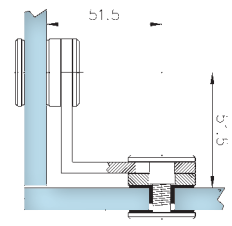
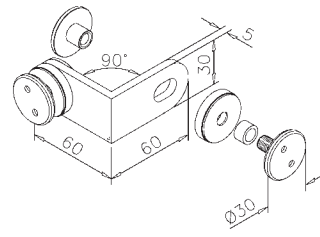
NEW

1

Glass clamp - 0201 / 090



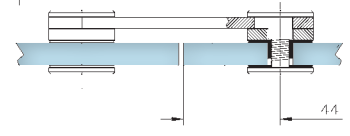
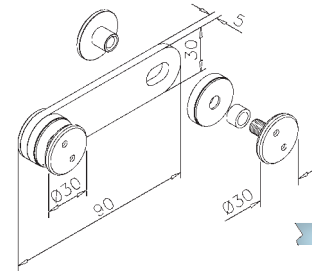
glass/glass
 Stainless steel design
 Art.no. **glass**
 40.0201.090.12 8 - 10 mm



Glass clamp - 0201 / 180



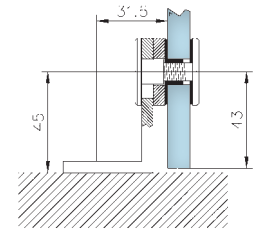
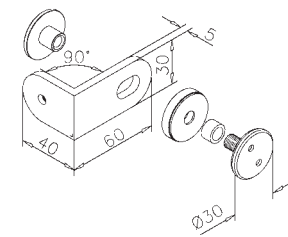
glass/glass
 Stainless steel design
 Art.no. **glass**
 40.0201.180.12 8 - 10 mm



Glass clamp - 0202



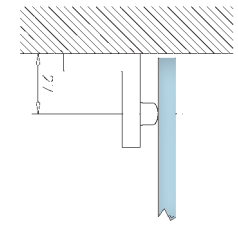
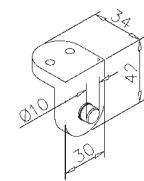
glass/wall
 Stainless steel design
 Art.no. **glass**
 40.0202.090.12 8 - 10 mm



Door stopper - 0220



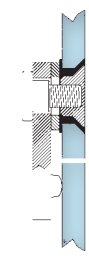
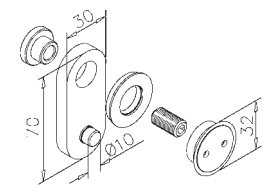
for door frame
 Stainless steel design
 Art.no.
 45.0220.000.12



Door stopper - 0221



for glass
 Stainless steel design
 Art.no. **glass**
 45.0221.000.12 8 - 10 mm



Overhead door closer - 200

1

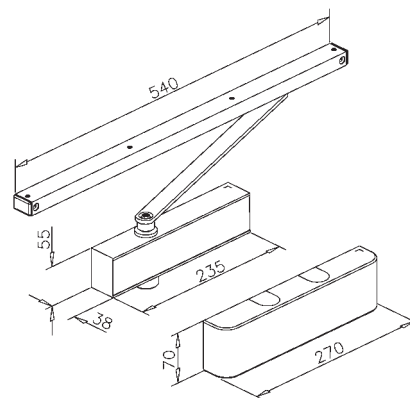


EN 1154

Stainless steel design

Art.no.

45.0200.000.12



Glass door shoe - 298



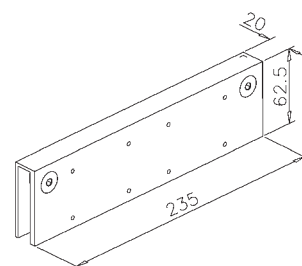
silver matt anodized

Art.no.

45.0298.010.46

glass

10 mm



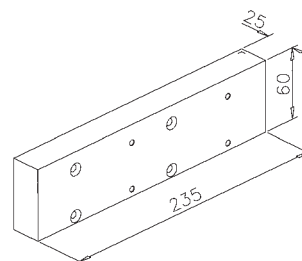
Back plate - 299



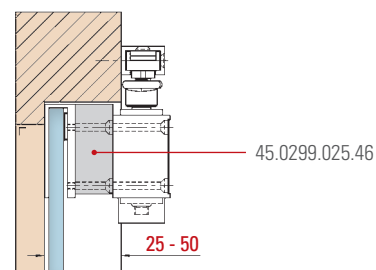
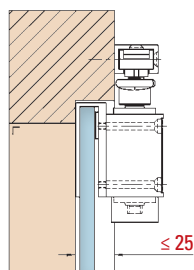
silver matt anodized

Art.no.

45.0299.025.46



INFO 45.0299.025.46



Door stopper - 225

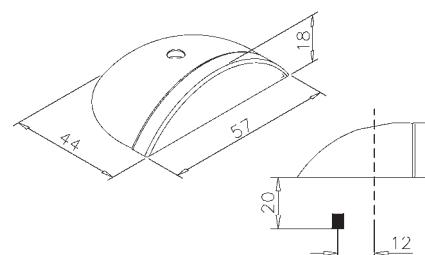
NEW



Stainless steel design

Art.no.

45.0225.000.12



Door lock - 2230 / 002

with magnetic latch, with handles
Stainless steel design

Art.no.	glass
45.2230.002.12	8 - 10 mm

Profile cylinder
■ 38

Door lock - 2230 / 902

with magnetic latch
Stainless steel design

Art.no.	glass
45.2230.902.12	8 - 10 mm

Latch - 2230 / 001

magnetic, with handles
Stainless steel design

Art.no.	glass
45.2230.001.12	8 - 10 mm

Latch - 2230 / 901

magnetic
Stainless steel design

Art.no.	glass
45.2230.901.12	8 - 10 mm

Door lock - 2230 / 003

NEW

for lavatory, with magnetic latch, with handles
Stainless steel design

Art.no.	glass
45.2230.003.12	8 - 10 mm

Door lock - 2230 / 903

NEW

for lavatory, with magnetic latch
Stainless steel design

Art.no.	glass
45.2230.903.12	8 - 10 mm

Strike box - 2231

magnetic
Stainless steel design

Art.no.	glass
45.2231.000.12	8 - 10 mm

INFO Latch magnetic

Door lock - 2210 / 002

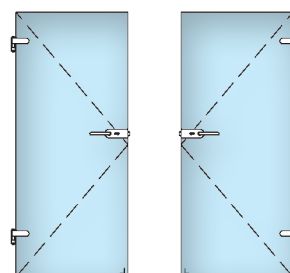
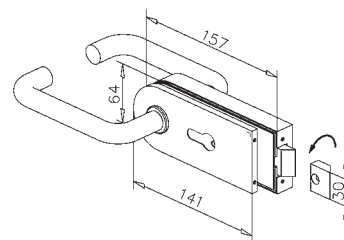


with handles

Stainless steel design

Chrome design

Art.no.	Art.no.	glass
45.2210.002.12	45.2210.002.10	8 - 10 mm



Door lock - 2210 / 902



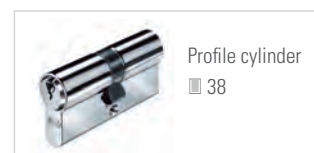
NEW

Stainless steel design

Chrome design

Anthracite design

Art.no.	Art.no.	Art.no.	glass
45.2210.902.12	45.2210.902.10	45.2210.902.26	8 - 10 mm



Latch - 2210 / 001

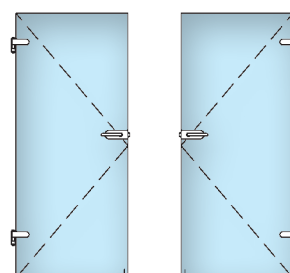
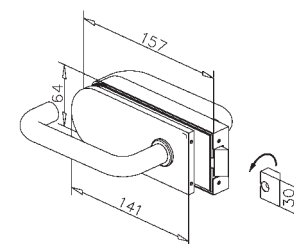


with handles

Stainless steel design

Chrome design

Art.no.	Art.no.	glass
45.2210.001.12	45.2210.001.10	8 - 10 mm



Latch - 2210 / 901



NEW

Stainless steel design

Chrome design

Anthracite design

Art.no.	Art.no.	Art.no.	glass
45.2210.901.12	45.2210.901.10	45.2210.901.26	8 - 10 mm

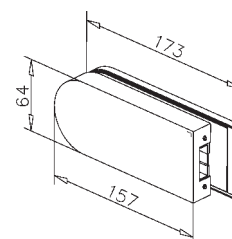
Strike box - 2211



Stainless steel design

Chrome design

Art.no.	Art.no.	glass
45.2211.000.12	45.2211.000.10	8 - 10 mm

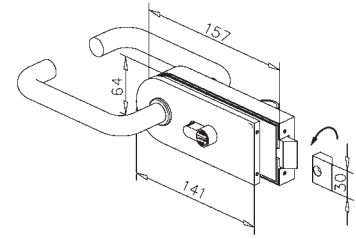


Door lock - 2210 / 003



for lavatory, with handles

Stainless steel design	Chrome design	glass
Art.no. 45.2210.003.12	Art.no. 45.2210.003.10	8 - 10 mm

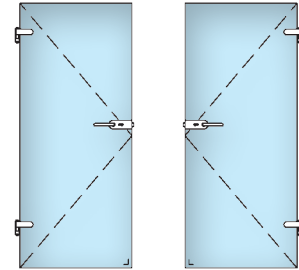


Door lock - 2210 / 903



for lavatory

Stainless steel design	Chrome design	glass
Art.no. 45.2210.903.12	Art.no. 45.2210.903.10	8 - 10 mm

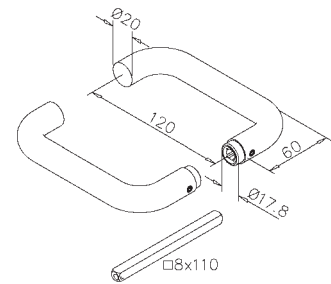


Door handle set - 6000



NEW

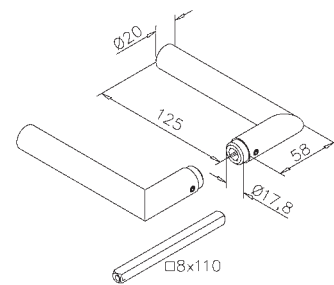
Stainless steel design	Chrome design	Anthracite design
Art.no. 47.6000.020.12	Art.no. 47.6000.020.10	Art.no. 47.6000.020.26



Door handle set - 6010



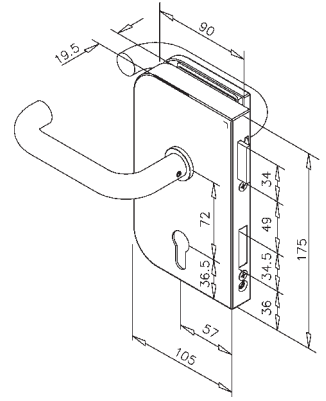
Stainless steel design	Chrome design
Art.no. 47.6010.020.12	Art.no. 47.6010.020.10



INFO Finishes



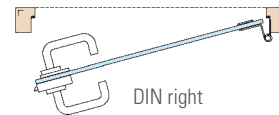
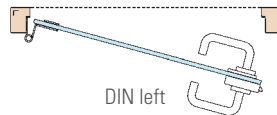
Door lock - 2910 / 2920 / 002



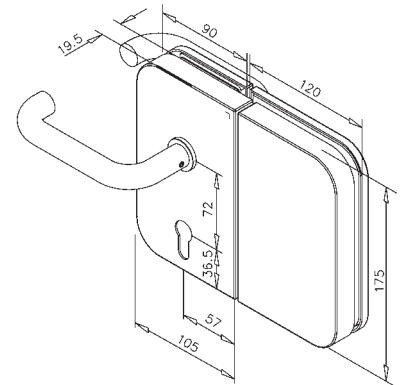
with handles

NEW

	Stainless steel design Art.no.	Anthracite design Art.no.	glass
DIN left	45.2910.002.12	45.2910.002.26	8 - 12 mm
DIN right	45.2920.002.12	45.2920.002.26	8 - 12 mm

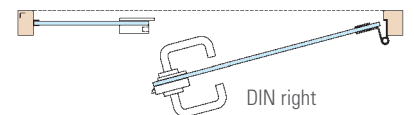
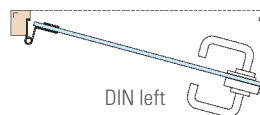


Door lock - 2910 / 2920 / 005



with handles and strike box

	Stainless steel design Art.no.	glass
DIN left	45.2910.005.12	8 - 12 mm
DIN right	45.2920.005.12	8 - 12 mm



Profile double cylinder 31/31 mm

EN 1303



with 3 keys

Stainless steel design



Art.no.

KD: keyed different 45.2710.908.12

KA: keyed alike 45.2710.912.12

NEW

INFO optional



Optional our door locks can be equipped with the electric xalo locking cylinders "SE" from BKS-GU. Easily operated with an active transponder.

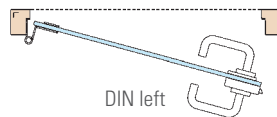
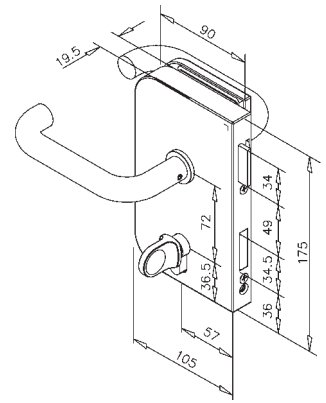
Door lock - 2910 / 2920 / 003



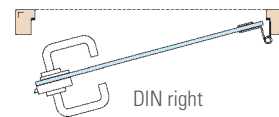
for lavatory, with handles

Stainless steel design

	Art.no.	glass
DIN left	45.2910.003.12	8 - 12 mm
DIN right	45.2920.003.12	8 - 12 mm



DIN left



DIN right

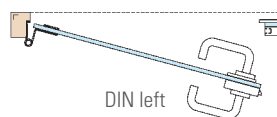
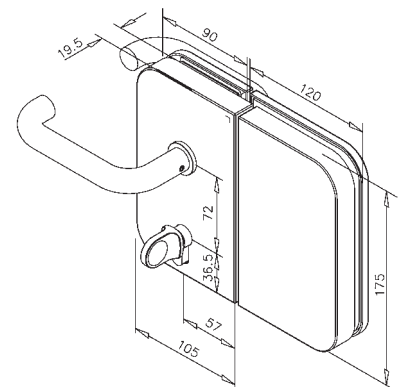
Door lock - 2910 / 2920 / 006



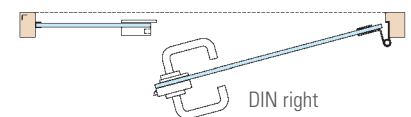
for lavatory, with handles and strike box

Stainless steel design

	Art.no.	glass
DIN left	45.2910.006.12	8 - 12 mm
DIN right	45.2920.006.12	8 - 12 mm

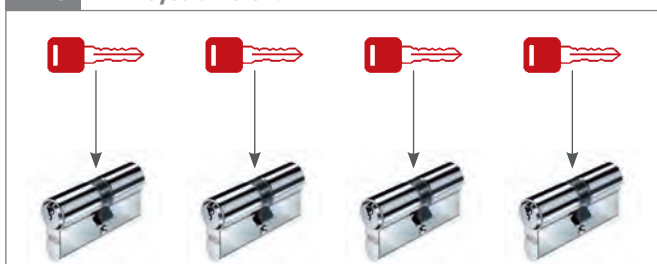


DIN left

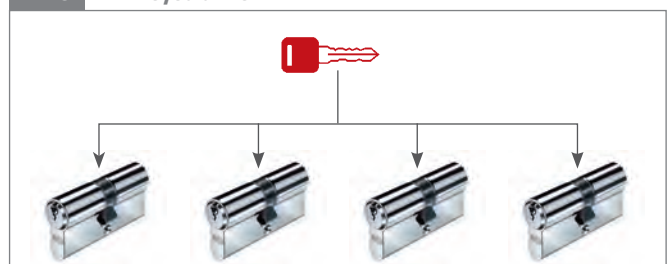


DIN right

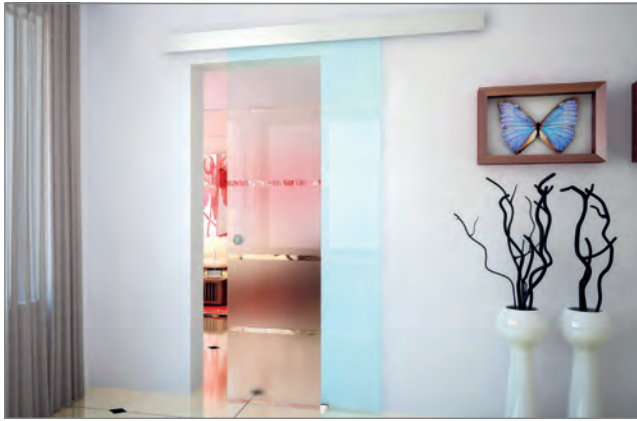
INFO KD: keyed different



INFO KA: keyed alike



Sliding door - 300

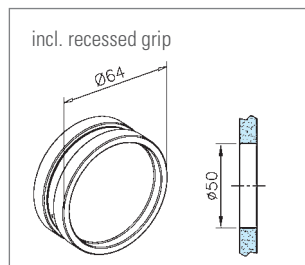
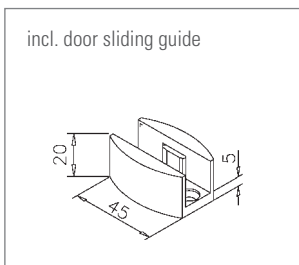
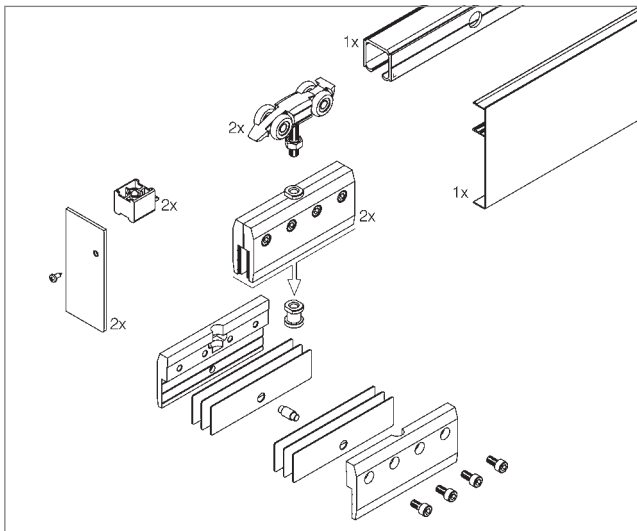
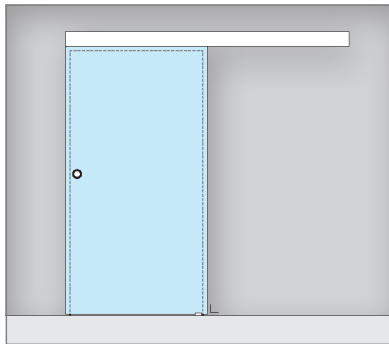


Silver matt anodized

Door weight max. 100 kg
 Door height max. 2500 mm (glass 12 mm)
 Door width max. 1170 mm
 Glass 8 / 8,7 / 10 / 10,7 / 12 mm

Wall

L	Art.no.
2500 mm	46.0300.250.46



Sliding door - 301

NEW

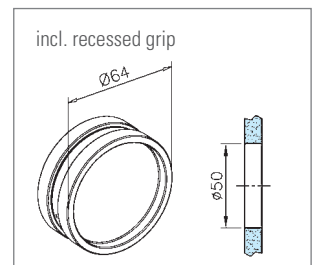
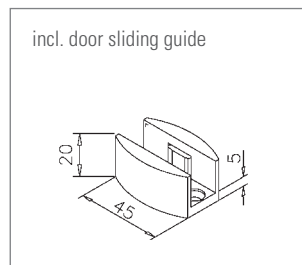
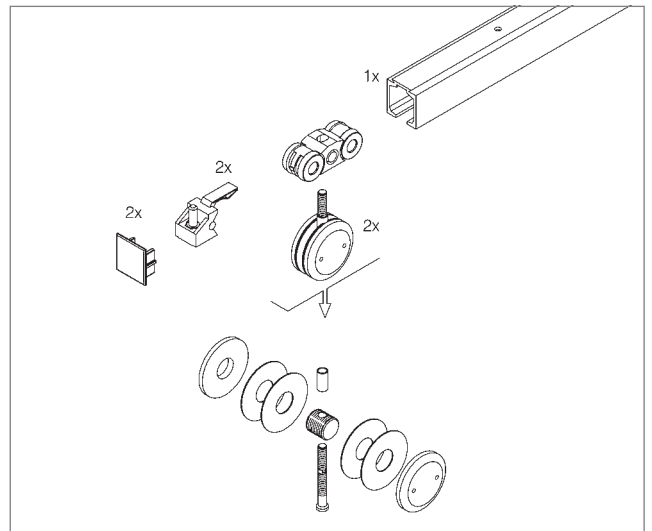
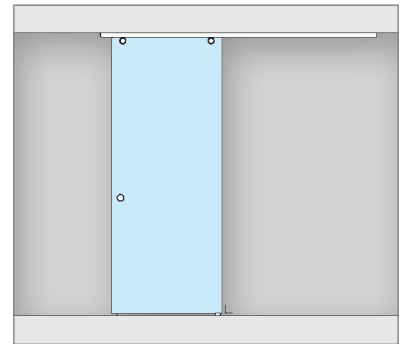


Silver matt anodized

Door weight max. 100 kg
 Door height max. 2500 mm (glass 12 mm)
 Door width max. 1170 mm
 Glass 8 / 8,7 / 10 / 10,7 / 12 mm

Ceiling

L	Art.no.
2500 mm	46.0301.250.46



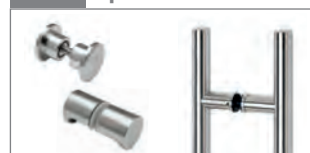
Sliding door - 5075 / 5076



Stainless steel design

Door weight max. 100 kg
 Door height max. 2700 mm (glass 12,7 mm)
 Door width max. 1200 mm
 Glass 8 / 8,7 / 10 / 10,7 / 12 / 12,7 mm

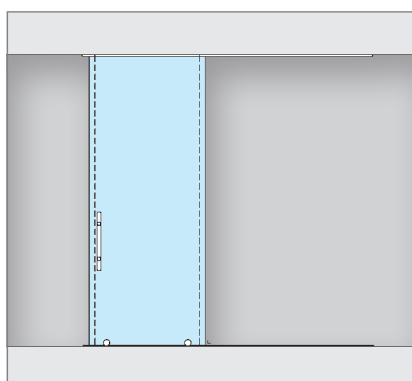
INFO optional



■ 82 - ■ 91

Ceiling

L	Art.no.
5000 mm	29.5075.502.12
2500 mm	29.5075.252.12



2 x 46.6104.000.12
 (■ 52)



1 x 46.1910...
 (■ 54)



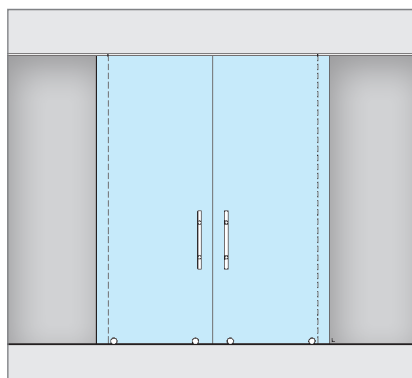
1 x 46.1920...
 (■ 54)



1 x 46.1930.000.00
 (■ 54)

Ceiling

L	Art.no.
5000 mm	29.5076.502.12



4 x 46.6104.000.12
 (■ 52)



1 x 46.1910.500.46
 (■ 54)



1 x 46.1920.500.12
 (■ 54)



1 x 46.1930.000.00
 (■ 54)



1 x 19.4023.000.01
 (■ 171)

Sliding door - 5072



Silver matt anodized

Door weight max. 40 kg
 Door height max. 2200 mm (glass 8,7 mm)
 Door width max. 1200 mm
 Glass 8 / 8,7 mm

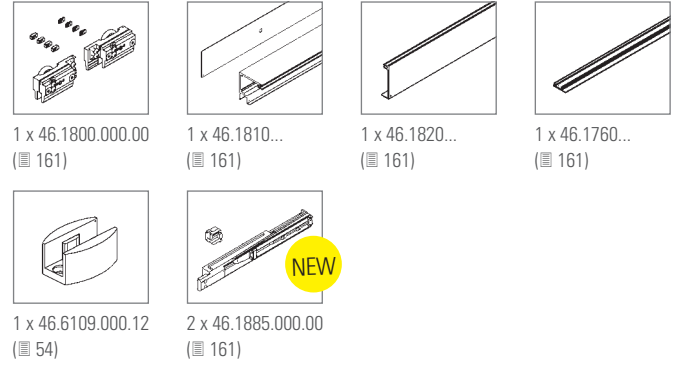
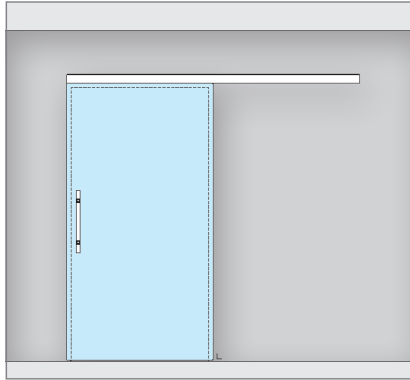
INFO optional



▣ 82 - ▣ 91

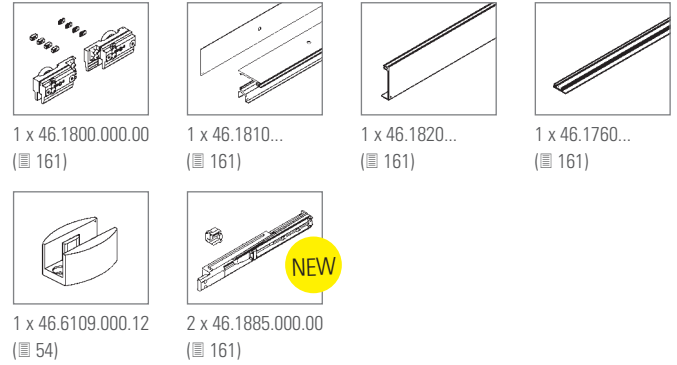
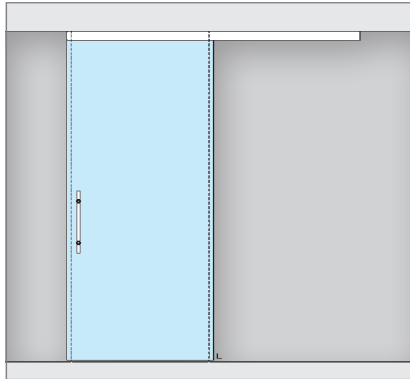
Wall

L	Art.no.
5000 mm	29.5072.501.46
2500 mm	29.5072.251.46



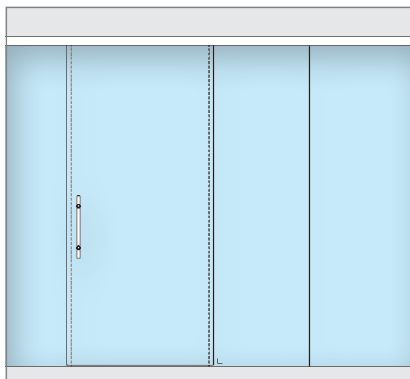
Ceiling

L	Art.no.
5000 mm	29.5072.502.46
2500 mm	29.5072.252.46



Glass / Glass

L	Art.no.
5000 mm	29.5072.503.46
2500 mm	29.5072.253.46



INFO optional



▣ 94/95 for fixed glass

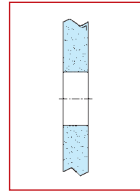
For further details visit: www.g-fittings.com

Sliding door - 5031



Stainless steel design

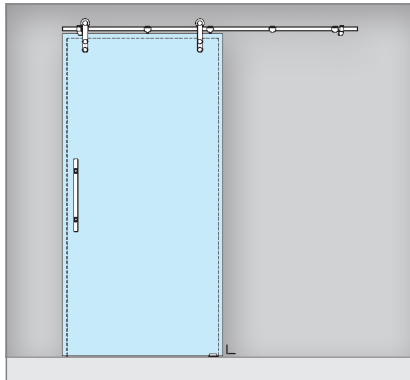
Door weight max. 100 kg
 Door height max. 2500 mm (glass 12 mm)
 Door width max. 1200 mm
 Glass 8 / 8,7 / 10 / 10,7 / 12 mm



▣ 82 - ▣ 91

Wall

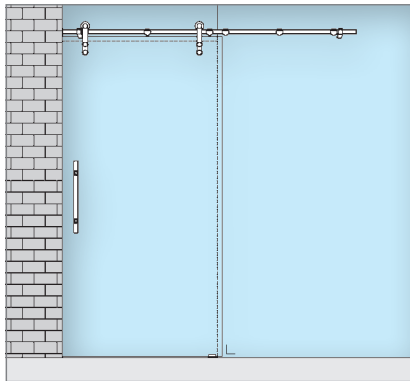
L	Art.no.
2500 mm	29.5031.251.12



2 x 46.6106.000.12 (▣ 52)	1 x 46.6122.000.12 (▣ 55)	1 x 46.6109.000.12 (▣ 54)	2 x 11.0732.025.20 (▣ 264)
5 x 46.6111.000.12 (▣ 53)	1 x 46.6123.000.12 (▣ 55)	1 x 12.8925.025.12 (▣ 239)	

Wall / Glass

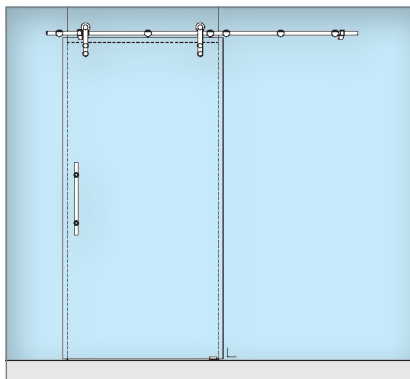
L	Art.no.
2500 mm	29.5031.252.12



2 x 46.6106.000.12 (▣ 52)	1 x 46.6122.000.12 (▣ 55)	1 x 46.6109.000.12 (▣ 54)	1 x 11.0732.025.20 (▣ 264)
6 x 46.6114.000.12 (▣ 53)	1 x 46.6123.000.12 (▣ 55)	1 x 12.8925.025.12 (▣ 239)	1 x 11.0500.025.20 (▣ 257)

Glass / Glass

L	Art.no.
2500 mm	29.5031.253.12



2 x 46.6106.000.12 (▣ 52)	1 x 46.6122.000.12 (▣ 55)	1 x 46.6109.000.12 (▣ 54)	2 x 11.0732.025.20 (▣ 264)
7 x 46.6114.000.12 (▣ 53)	1 x 46.6123.000.12 (▣ 55)	1 x 12.8925.025.12 (▣ 239)	

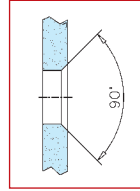
For further details visit: www.g-fittings.com

Sliding door - 5030



Stainless steel design

Door weight max. 100 kg
 Door height max. 2500 mm (glass 12 mm)
 Door width max. 1200 mm
 Glass 8, 10, 12 mm



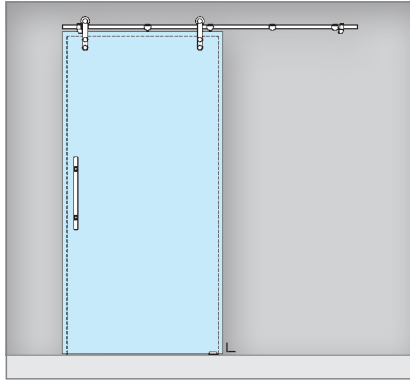
INFO optional



▣ 82 - ▣ 91

Wall

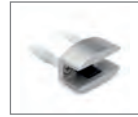
L	Art.no.
2500 mm	29.5030.251.12



2 x 46.6101.000.12
 (▣ 52)



1 x 46.6122.000.12
 (▣ 55)



1 x 46.6109.000.12
 (▣ 54)



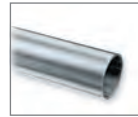
2 x 11.0732.025.20
 (▣ 264)



5 x 46.6111.000.12
 (▣ 53)



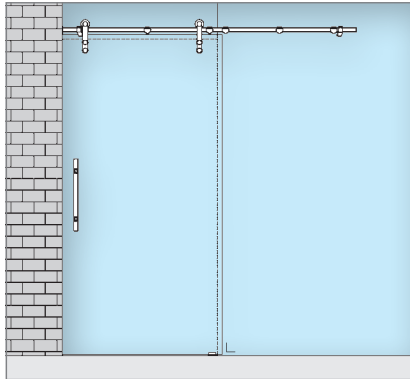
1 x 46.6123.000.12
 (▣ 55)



1 x 12.8925.025.12
 (▣ 239)

Wall / Glass

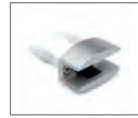
L	Art.no.
2500 mm	29.5030.252.12



2 x 46.6101.000.12
 (▣ 52)



1 x 46.6122.000.12
 (▣ 55)



1 x 46.6109.000.12
 (▣ 54)



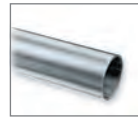
1 x 11.0732.025.20
 (▣ 264)



6 x 46.6110.000.12
 (▣ 53)



1 x 46.6123.000.12
 (▣ 55)



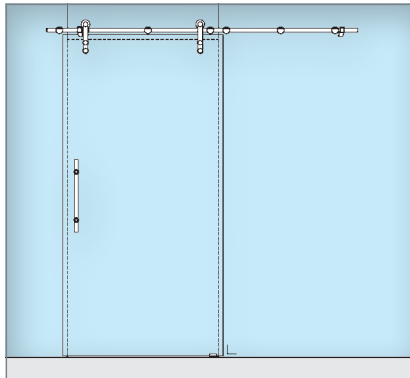
1 x 12.8925.025.12
 (▣ 239)



1 x 11.0500.025.20
 (▣ 257)

Glass / Glass

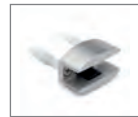
L	Art.no.
2500 mm	29.5030.253.12



2 x 46.6101.000.12
 (▣ 52)



1 x 46.6122.000.12
 (▣ 55)



1 x 46.6109.000.12
 (▣ 54)



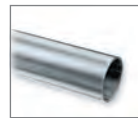
2 x 11.0732.025.20
 (▣ 264)



7 x 46.6110.000.12
 (▣ 53)



1 x 46.6123.000.12
 (▣ 55)



1 x 12.8925.025.12
 (▣ 239)

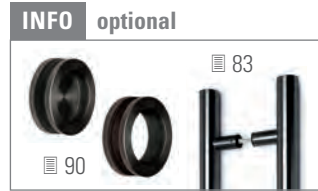
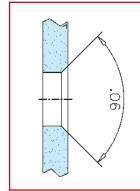
For further details visit: www.g-fittings.com

Sliding door - 5030



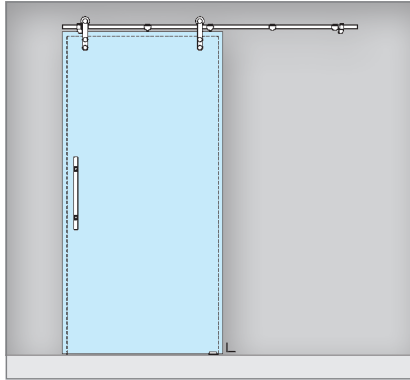
Anthracite design

Door weight max. 100 kg
 Door height max. 2500 mm (glass 12 mm)
 Door width max. 1200 mm
 Glass 8, 10, 12 mm



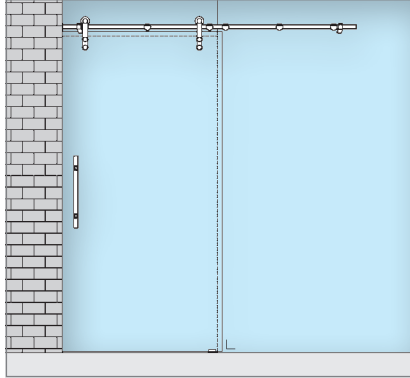
Wall

L	Art.no.
2500 mm	29.5030.251.26



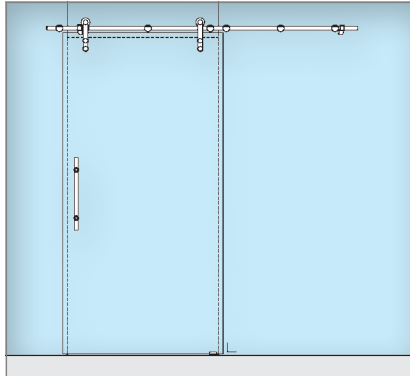
Wall / Glass

L	Art.no.
2500 mm	29.5030.252.26



Glass / Glass

L	Art.no.
2500 mm	29.5030.253.26



For further details visit: www.g-fittings.com

Sliding door - 5070

EN
1527



Door weight max. 100 kg
Door height max. 2700 mm
(glass 12,7 mm)
Door width max. 1600 mm
Glass 8 - 12,7 mm

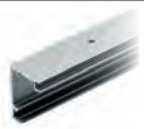
INFO optional



▣ 82 - ▣ 91

INFO Finishes

silver matt
anodized
Art.no. ...46



stainless steel
design
Art.no. ...19

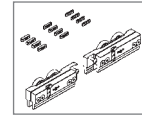
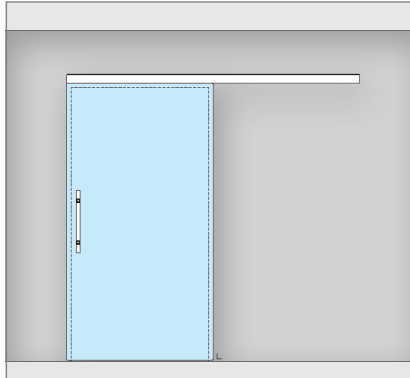


anthracite
design
Art.no. ...26

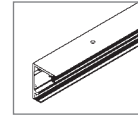


Wall

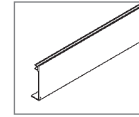
L	Art.no.
5000 mm	29.5070.501...
2500 mm	29.5070.251...



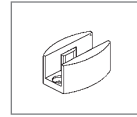
1 x 46.1700.000.00
(▣ 49)



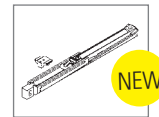
1 x 46.1710...
(▣ 48)



1 x 46.1720...
(▣ 48)



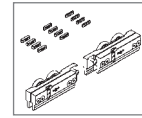
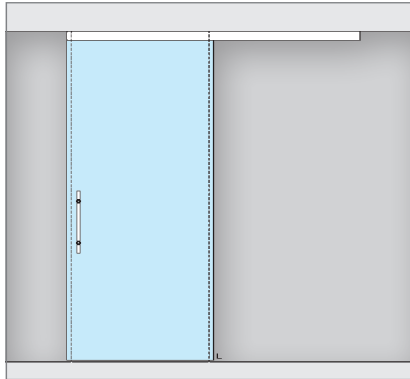
1 x 46.6109.000...
(▣ 54)



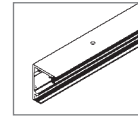
2 x 46.1785.000.00
(▣ 49)

Ceiling

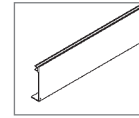
L	Art.no.
5000 mm	29.5070.502...
2500 mm	29.5070.252...



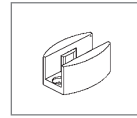
1 x 46.1700.000.00
(▣ 49)



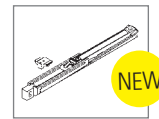
1 x 46.1710...
(▣ 48)



1 x 46.1720...
(▣ 48)



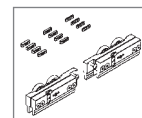
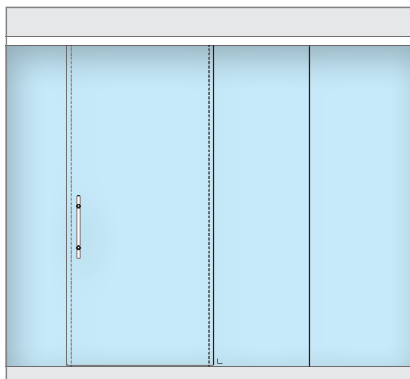
1 x 46.6109.000...
(▣ 54)



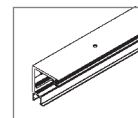
2 x 46.1785.000.00
(▣ 49)

Glass / Glass

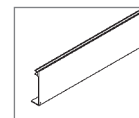
L	Art.no.
5000 mm	29.5070.503...
2500 mm	29.5070.253...



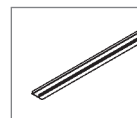
1 x 46.1700.000.00
(▣ 49)



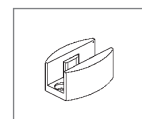
1 x 46.1750...
(▣ 48)



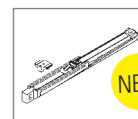
1 x 46.1720...
(▣ 48)



1 x 46.1760...
(▣ 48)



1 x 46.6109.000...
(▣ 54)



2 x 46.1785.000.00
(▣ 49)

INFO optional



▣ 94/95 for fixed glass

For further details visit: www.g-fittings.com

Sliding door SYNCHRO - 5071

EN 1527



Door weight max. 100 kg
 Door height max. 2700 mm (glass 12,7 mm)
 Door width max. 1600 mm
 Glass 8 - 12,7 mm

INFO Finishes

silver matt anodized
Art.no. ...46



stainless steel design
Art.no. ...19



anthracite design
Art.no. ...26



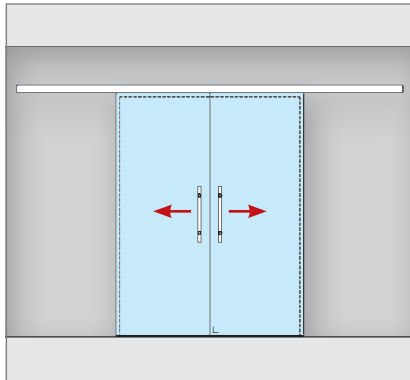
INFO optional



▣ 82 - ▣ 91

Wall

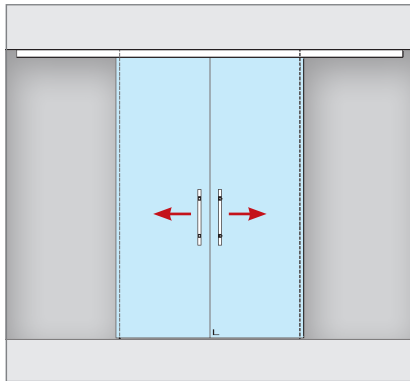
L	Art.no.
5000 mm	29.5071.501...



 2 x 46.1700.000.00 (▣ 49)	 1 x 46.1710.500... (▣ 48)	 1 x 46.1720.500... (▣ 48)	 2 x 46.6109.000... (▣ 54)
 1 x 46.1790.000.00 (▣ 49)	 4 x 46.1785.000.00 (▣ 49)		

Ceiling

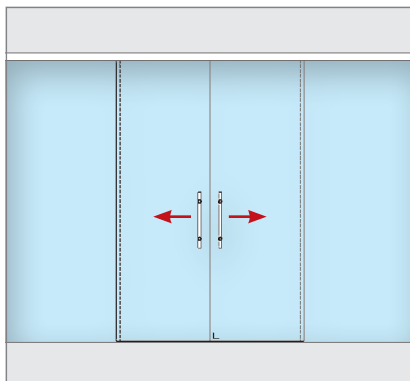
L	Art.no.
5000 mm	29.5071.502...



 2 x 46.1700.000.00 (▣ 49)	 1 x 46.1710.500... (▣ 48)	 1 x 46.1720.500... (▣ 48)	 2 x 46.6109.000... (▣ 54)
 1 x 46.1790.000.00 (▣ 49)	 4 x 46.1785.000.00 (▣ 49)		

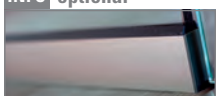
Glass / Glass

L	Art.no.
5000 mm	29.5071.503...



 2 x 46.1700.000.00 (▣ 49)	 1 x 46.1750.500... (▣ 48)	 1 x 46.1720.500... (▣ 48)	 1 x 46.1760.500... (▣ 48)
 2 x 46.6109.000... (▣ 54)	 1 x 46.1790.000.00 (▣ 49)	 4 x 46.1785.000.00 (▣ 49)	

INFO optional

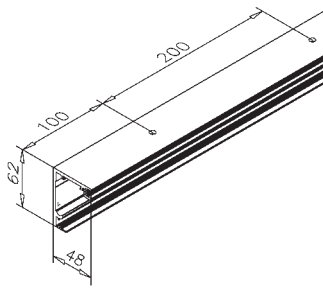


▣ 94/95 for fixed glass

For further details visit: www.g-fittings.com



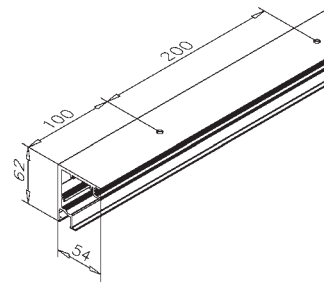
Running track - 1710



pre-drilled

Art.no.	L
46.1710.500...	5000 mm
46.1710.250...	2500 mm
46.1710.999...	cutted

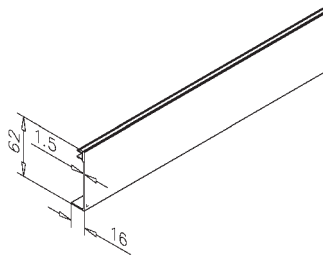
Running track fixed glass - 1750



pre-drilled

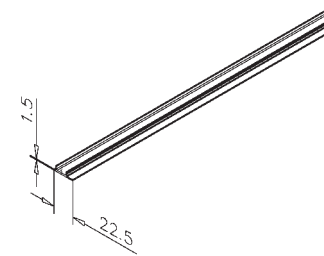
Art.no.	L
46.1750.500...	5000 mm
46.1750.250...	2500 mm
46.1750.999...	cutted

Cover profile - 1720



Art.no.	L
46.1720.500...	5000 mm
46.1720.250...	2500 mm
46.1720.999...	cutted

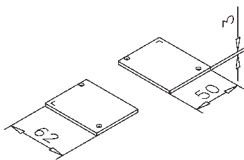
Panel profile - 1760



for fixed glass

Art.no.	L
46.1760.500...	5000 mm
46.1760.250...	2500 mm
46.1760.999...	cutted

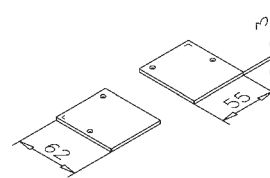
End caps (pair) - 1730



for 46.1710...

Art.no.
46.1730.000...

End caps (pair) - 1770



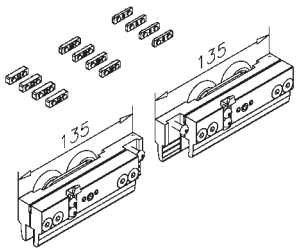
for 46.1750...

Art.no.
46.1770.000...

INFO Finishes

		
silver matt anodized Art.no. ...46	stainless steel design Art.no. ...19	anthracite design Art.no. ...26

Trolley set - 1700



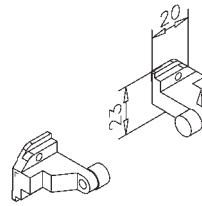
left and right

plain anodized

Art.no.

46.1700.000.00

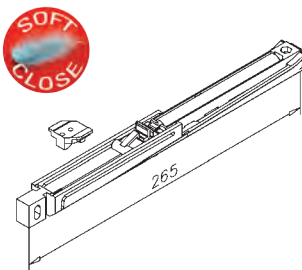
Door stopper set - 1780



Art.no.

46.1780.000.00

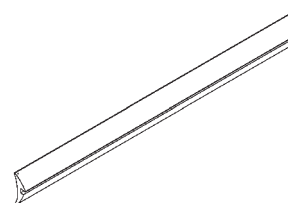
Soft closing mechanism - 1785



Art.no.

46.1785.000.00

Glass gasket profile - 7050



for 46.1750...

TPE black, L 5 m

Art.no.

glass

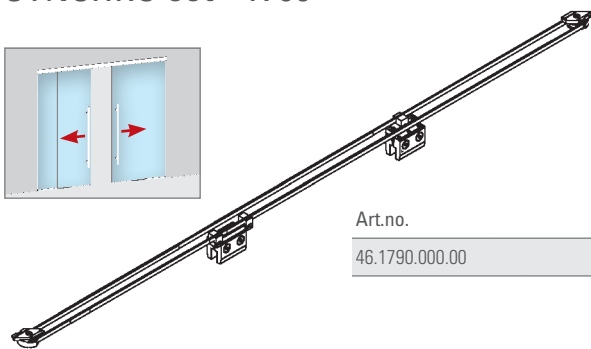
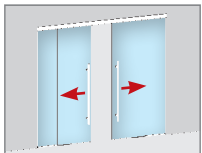
19.7050.008.00

8 - 8,7 mm

19.7050.010.00

10 - 10,7 mm

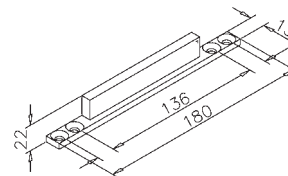
SYNCHRO set - 1790



Art.no.

46.1790.000.00

Adapter for wooden doors (pair) - 1792



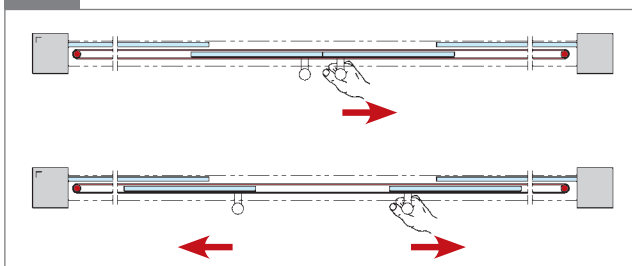
for 46.1700.000.00

plain anodized

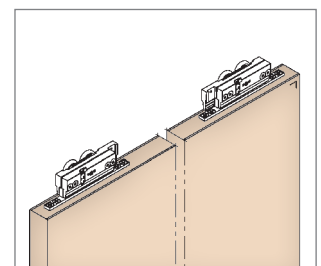
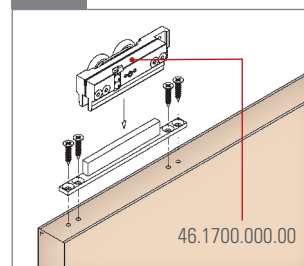
Art.no.

46.1792.000.00

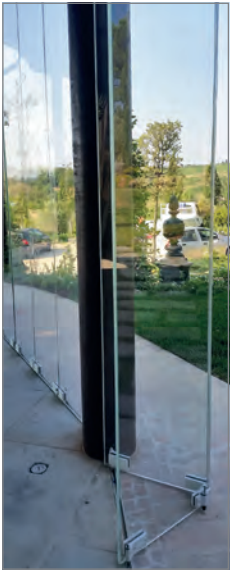
INFO 46.1790.000.00 - SYNCHRO



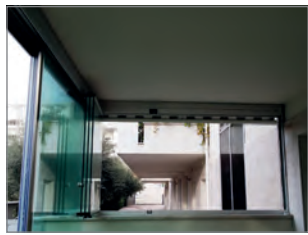
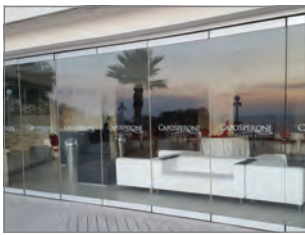
INFO 46.1792.000.00



More sliding door systems (on request)












Stacking doors








Model - 3100

Model - 3200

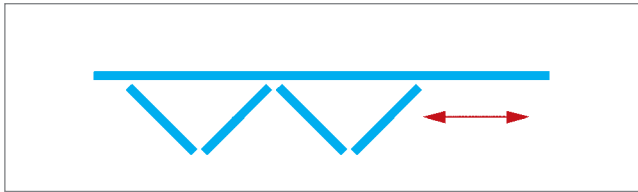
Model - 3300

-  Door weight max.
-  Door weight / Softclose max.
-  Glass thickness
-  Door width max.
-  Door height max.
-  Panels max.
-  Glass cutouts
-  Finish
-  Features

120 kg	150 kg	50 kg
-	-	-
10 mm	10 - 12,7 mm	8 - 10,7 mm
1500 mm	1250 mm	1250 mm
3000 mm	3500 mm	2500 mm
∞	∞	8 / 8 + 8
yes	no	no
Stainless steel design	Silver matt anodized	Silver matt anodized
		
		

More sliding door systems (on request)

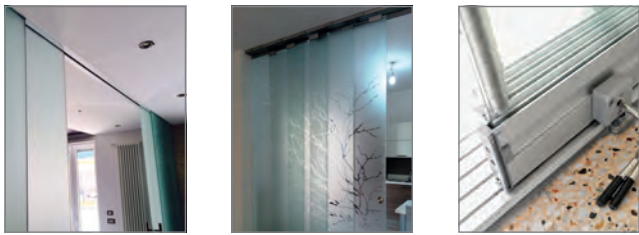
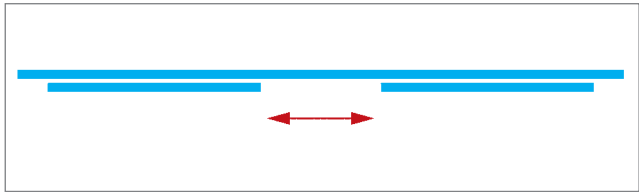
Folding doors



Model - 2100 Model - 2200 Model - 2300

60 kg	90 kg	70 kg
-	-	-
8 - 10 mm	10 - 12,7 mm	10 mm
800 mm	1000 mm	800 mm
3000 mm	3000 mm	3500 mm
6 / 6 + 6	7 / 7 + 7	10 / 10 + 10
yes	no	yes
Stainless steel design	Silver matt anodized	Stainless steel design

Sliding doors

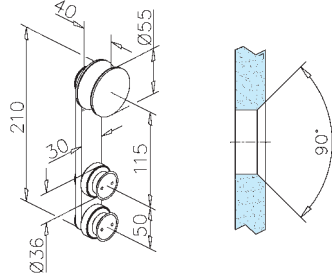


Model - 1200 Model - 1300 Model - 1400

150 kg	130 kg	80 kg
70 - 90 kg	65 / 90 / 130 kg	-
8 - 13,5 mm	8 - 10,7 mm	10 mm
1600 mm	1600 mm	1000 mm
2700 mm	2700 mm	3000 mm
2	2 / 3	3 / 3 + 3 5 / 5 + 5
no	no	no
Silver matt anodized	Silver matt anodized	Silver matt anodized

1

Roller component - 6101



Stainless steel design

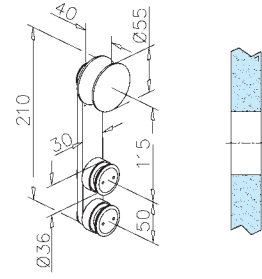
Art.no.
46.6101.000.12

Anthracite design

Art.no.
46.6101.000.26

glass
8 - 12 mm

Roller component - 6106



Stainless steel design

Art.no.
46.6106.000.12

glass
8 - 12,7 mm

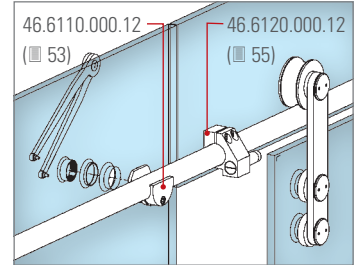
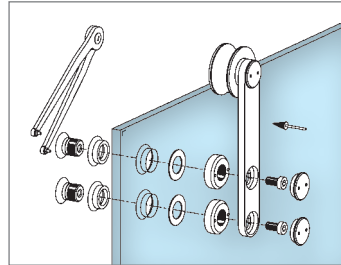
INFO Mounting



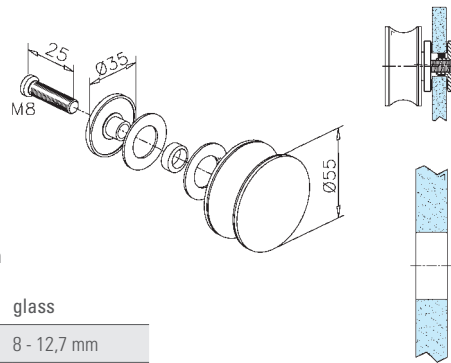
Pin wrench

Art.no.
91.0010.003.03 (■ 282)

INFO 46.6101.000.12



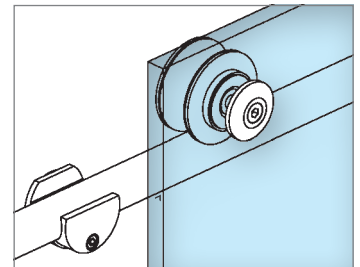
Roller - 6104



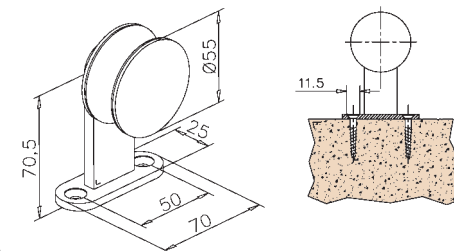
Glass fixation
Stainless steel design

Art.no.
46.6104.000.12

glass
8 - 12,7 mm

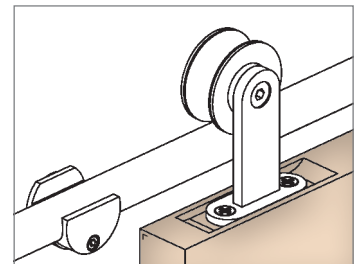


Roller - 6105



Wood fixation
Stainless steel design

Art.no.
46.6105.000.12



Track holder - 6110

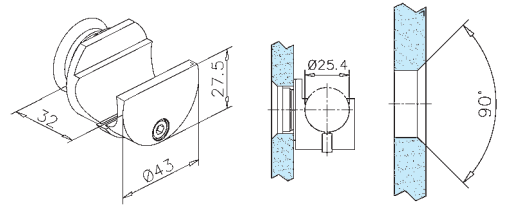


Glass fixation

Stainless steel design

Anthracite design

Art.no.	Art.no.	glass
46.6110.000.12	46.6110.000.26	10 - 12 mm



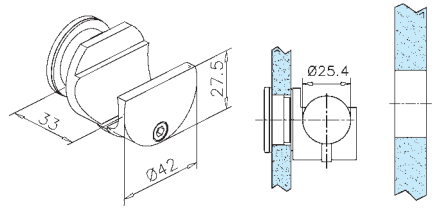
Track holder - 6114



Glass fixation, flat screw

Stainless steel design

Art.no.	glass
46.6114.000.12	10 - 12,7 mm



Track holder - 6111

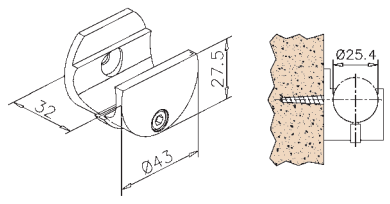


Wall fixation

Stainless steel design

Anthracite design

Art.no.	Art.no.
46.6111.000.12	46.6111.000.26



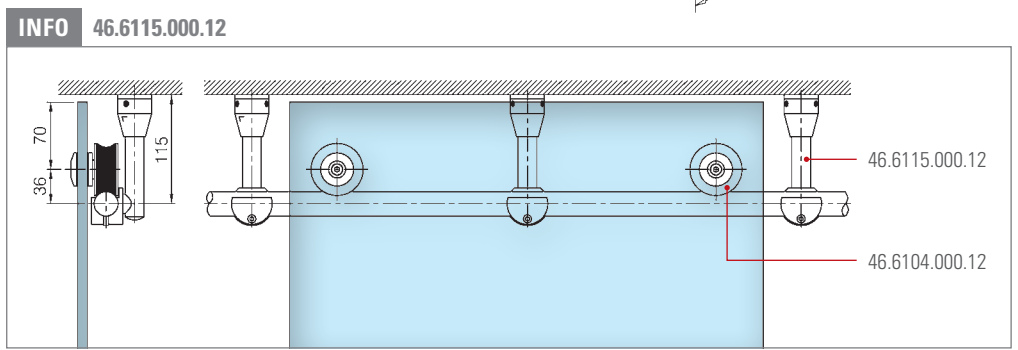
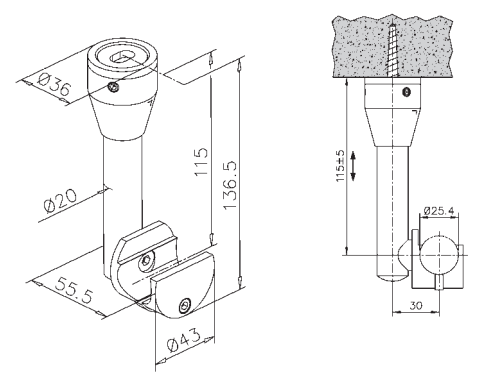
Track holder - 6115



Ceiling fixation

Stainless steel design

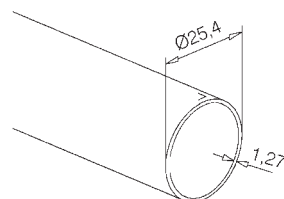
Art.no.
46.6115.000.12



Tube - 900



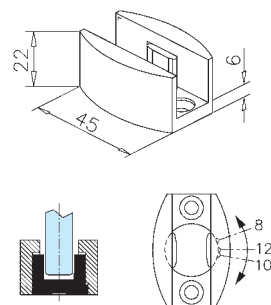
Stainless steel design	Anthracite design	L
Art.no.	Art.no.	
12.8900.025.12	11.8900.025.26	cutted



Door sliding guide - 6109



Stainless steel design	Anthracite design	glass
Art.no.	Art.no.	
46.6109.000.12	46.6109.000.26	8, 10, 12 mm



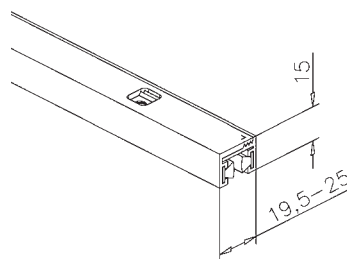
Ceiling profile - 1910



adjustable

silver matt anodized

Art.no.	L	glass
46.1910.500.46	5000 mm	8 - 12,76 mm
46.1910.250.46	2500 mm	8 - 12,76 mm
46.1910.999.46	cutted	8 - 12,76 mm



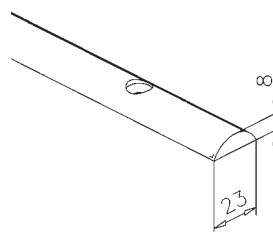
Guide rail - 1920



half-rounded, pre-drilled

Stainless steel design

Art.no.	L
46.1920.500.12	5000 mm
46.1920.250.12	2500 mm
46.1920.999.12	cutted

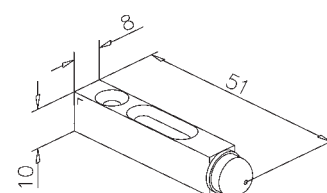


End stop set - 1930

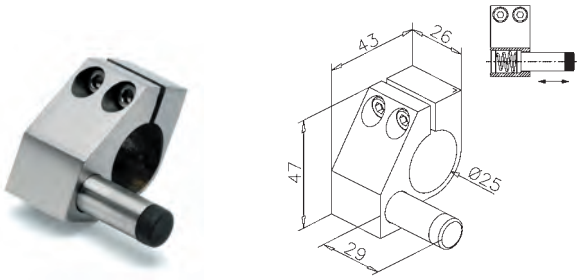


for 46.1910...

Art.no.
46.1930.000.00



Door stopper left side - 6120

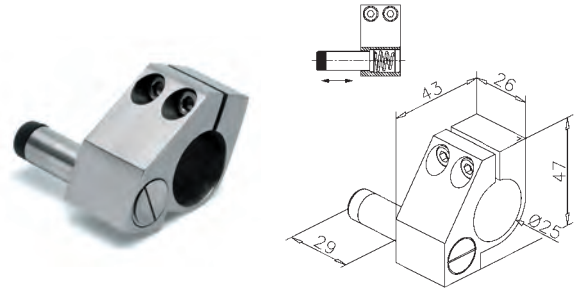


Stainless steel design

Art.no.

46.6120.000.12

Door stopper right side - 6121



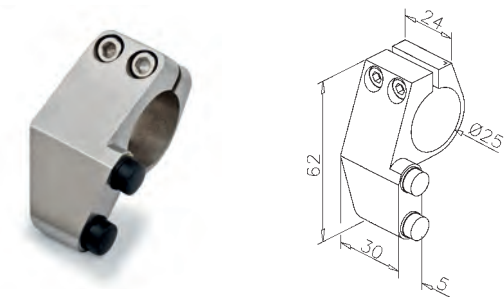
Stainless steel design

Art.no.

46.6121.000.12



Door stopper left side - 6122



Stainless steel design

Art.no.

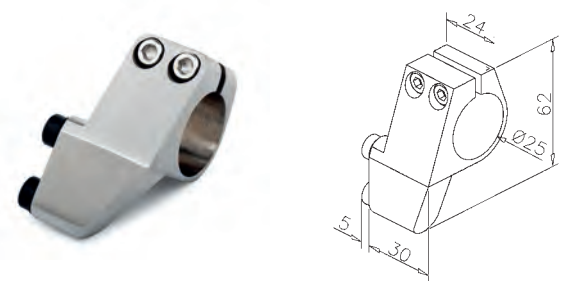
46.6122.000.12

Anthracite design

Art.no.

46.6122.000.26

Door stopper right side - 6123



Stainless steel design

Art.no.

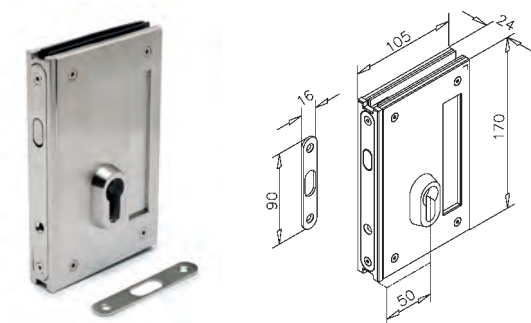
46.6123.000.12

Anthracite design

Art.no.

46.6123.000.26

Door lock - 7010



Stainless steel design

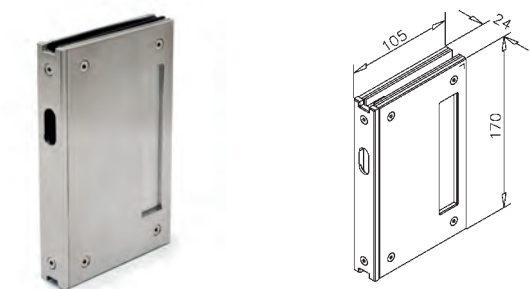
Art.no.

46.7010.000.12

glass

10 mm

Strike box - 7011



Stainless steel design

Art.no.

46.7011.000.12

glass

10 mm



Profile cylinder

■ 38

Swing door - 5044



Stainless steel design / Anthracite design

Door weight max. 100 kg
 Door height max. 2650 mm (glass 12 mm)
 Door width max. 1000 mm
 Glass 10 mm, 12 mm

Restposition
 4 x 90°

INFO optional



▣ 82 - ▣ 91

Wall

Stainless steel design

Art.no.

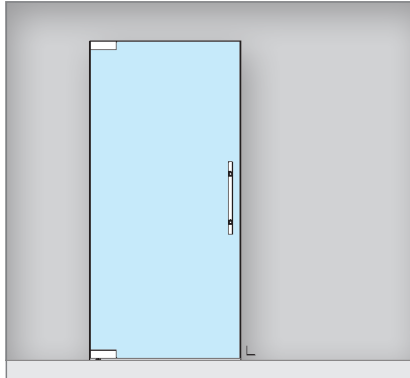
29.5044.001.12

Anthracite design

Art.no.

29.5044.001.26

NEW



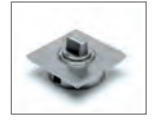
1 x 45.2150.000...
 (▣ 66)



1 x 45.2152.000...
 (▣ 66)



1 x 45.2160.000...
 (▣ 68)



1 x 45.2170.000...
 (▣ 68)

Wall / Glass

Stainless steel design

Art.no.

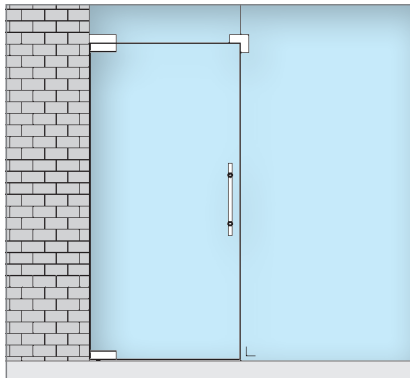
29.5044.002.12

Anthracite design

Art.no.

29.5044.002.26

NEW



1 x 45.2150.000...
 (▣ 66)



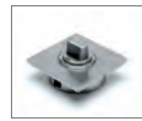
1 x 45.2152.000...
 (▣ 66)



1 x 45.2153.000...
 (▣ 66)



1 x 45.2157.000...
 (▣ 67)



1 x 45.2170.000...
 (▣ 68)

Glass / Glass

Stainless steel design

Art.no.

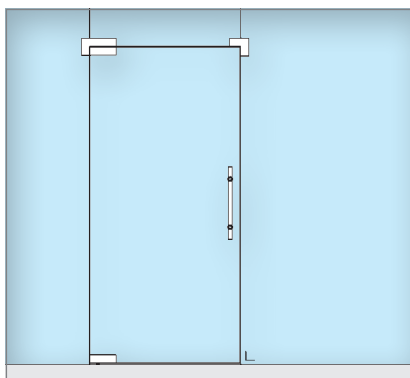
29.5044.003.12

Anthracite design

Art.no.

29.5044.003.26

NEW



1 x 45.2150.000...
 (▣ 66)



1 x 45.2152.000...
 (▣ 66)



1 x 45.2154.000...
 (▣ 67)



1 x 45.2157.000...
 (▣ 67)



1 x 45.2170.000...
 (▣ 68)

INFO Finishes



Stainless
 steel design

Anthracite
 design

For further details visit: www.g-fittings.com

Swing door - 5045



Stainless steel design / Anthracite design

Door weight max. 100 kg
 Door height max. 3000 mm (glass 12 mm)
 Door width max. 1100 mm
 Glass 10 mm, 12 mm

Spring strength
EN 3



▣ 82 - ▣ 91

Wall

Stainless steel design

Art.no.

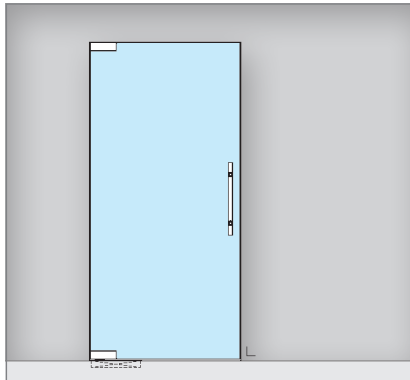
29.5045.001.12

Anthracite design

Art.no.

29.5045.001.26

NEW



1 x 45.2150.000...
(▣ 66)



1 x 45.2152.000...
(▣ 66)



1 x 45.2160.000...
(▣ 68)



1 x 45.0100.000...
(▣ 69)

Wall / Glass

Stainless steel design

Art.no.

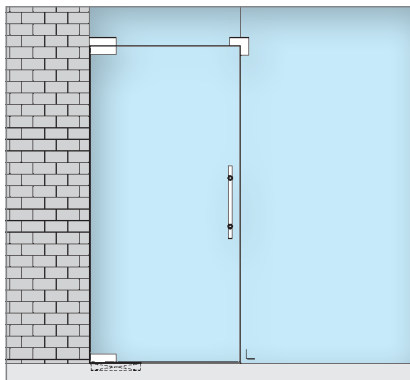
29.5045.002.12

Anthracite design

Art.no.

29.5045.002.26

NEW



1 x 45.2150.000...
(▣ 66)



1 x 45.2152.000...
(▣ 66)



1 x 45.2153.000...
(▣ 66)



1 x 45.2157.000...
(▣ 67)



1 x 45.0100.000...
(▣ 69)

Glass / Glass

Stainless steel design

Art.no.

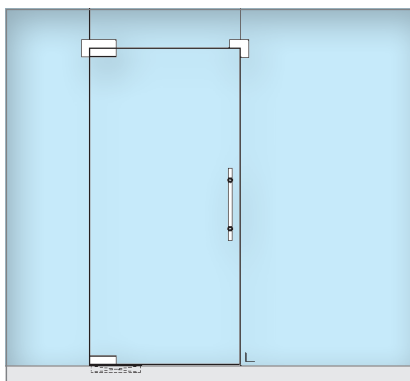
29.5045.003.12

Anthracite design

Art.no.

29.5045.003.26

NEW



1 x 45.2150.000...
(▣ 66)



1 x 45.2152.000...
(▣ 66)



1 x 45.2154.000...
(▣ 67)



1 x 45.2157.000...
(▣ 67)



1 x 45.0100.000...
(▣ 69)



For further details visit: www.g-fittings.com

Swing door - 5050



Stainless steel design

Door weight max. 50 kg
 Door height max. 2250 mm (glass 10 mm)
 Door width max. 900 mm
 Glass 8, 10, 12 mm

ADJUST-
ABLE

INFO optional

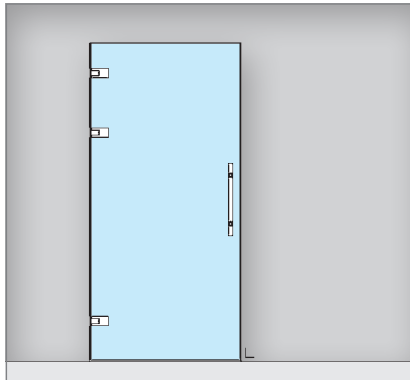


82 - 91

Wall

Art.no.

29.5050.001.12

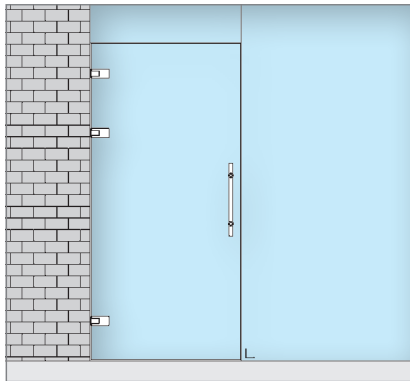


3 x 41.0601.090.12
(60)

Wall / Glass

Art.no.

29.5050.002.12

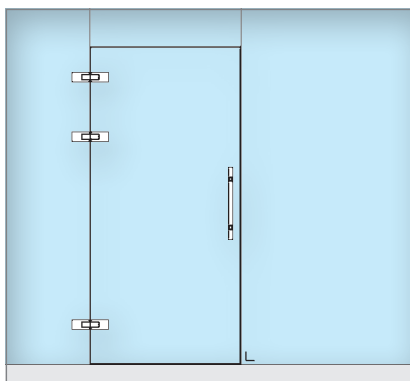


3 x 41.0601.090.12
(60)

Glass / Glass

Art.no.

29.5050.003.12



3 x 41.0602.180.12
(60)

For further details visit: www.g-fittings.com

Swing door - 5049



Stainless steel design / Anthracite design

Door weight max. 100 kg
 Door height max. 3000 mm (glass 12 mm)
 Door width max. 1000 mm
 Glass 10 mm, 12 mm

Hydraulic patch fitting



INFO optional
 82 - 91

Wall

Stainless steel design

Art.no.

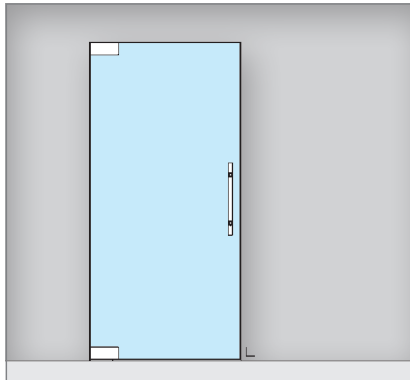
29.5049.001.12

Anthracite design

Art.no.

29.5049.001.26

NEW



1 x 45.0106.000...
 (65)



1 x 45.0107.000...
 (65)



1 x 45.0108.000...
 (65)

Wall / Glass

Stainless steel design

Art.no.

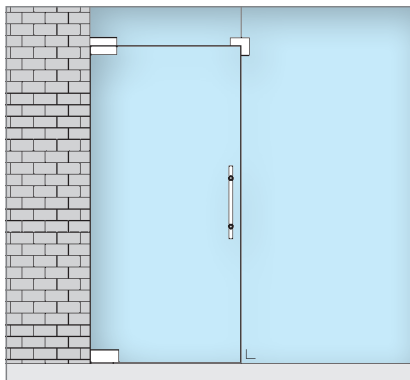
29.5049.002.12

Anthracite design

Art.no.

29.5049.002.26

NEW



1 x 45.0106.000...
 (65)



1 x 45.2150.000...
 (66)



1 x 45.2153.000...
 (66)



1 x 45.2157.000...
 (67)

Glass / Glass

Stainless steel design

Art.no.

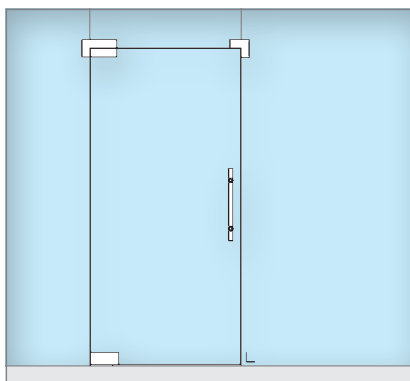
29.5049.003.12

Anthracite design

Art.no.

29.5049.003.26

NEW



1 x 45.0106.000...
 (65)



1 x 45.2150.000...
 (66)



1 x 45.2154.000...
 (67)



1 x 45.2157.000...
 (67)



INFO Finishes

Stainless steel design

Anthracite design

For further details visit: www.g-fittings.com

Door hinge - 601

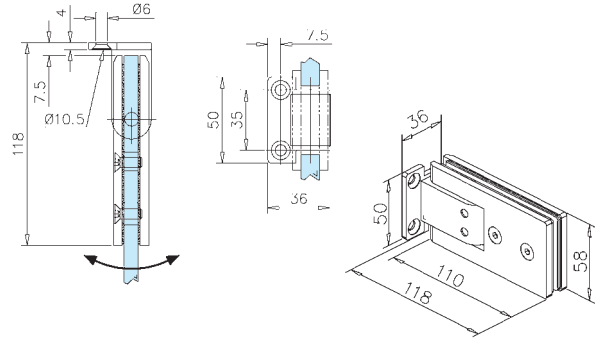


ADJUST-ABLE

glass/wall

Stainless steel design

Art.no.	glass
41.0601.090.12	8 - 12 mm



Door hinge - 602 / 090

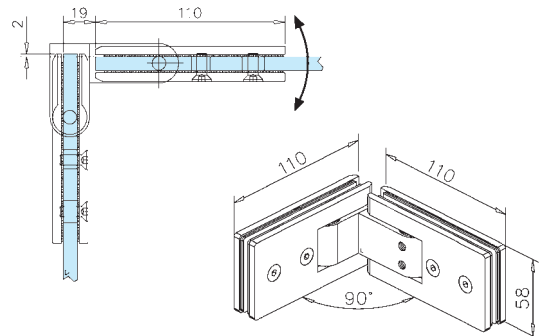


ADJUST-ABLE

glass/glass

Stainless steel design

Art.no.	glass
41.0602.090.12	8 - 12 mm



Door hinge - 602 / 180

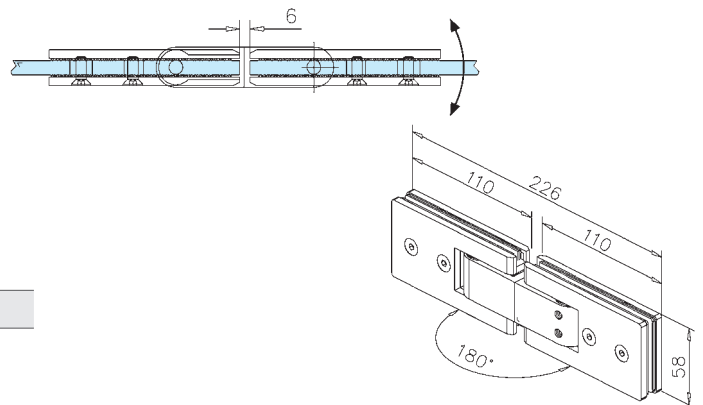


ADJUST-ABLE

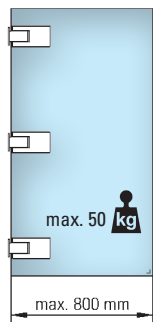
glass/glass

Stainless steel design

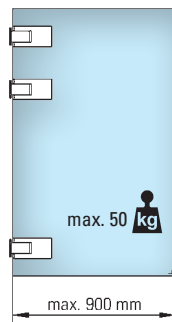
Art.no.	glass
41.0602.180.12	8 - 12 mm



INFO



The 3rd hinge in the middle serves to stabilize the door.



The 3rd hinge app. 300 mm mounted under the top hinge, gives 10% more door width.

Door hinge - 3012



glass/wall

Stainless steel design

Art.no.

41.3012.090.12

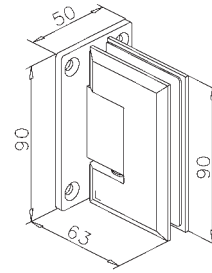
Chrome design

Art.no.

41.3012.090.10

glass

8 - 12 mm



Door hinge - 3112



glass/wall

Stainless steel design

Art.no.

41.3112.090.12

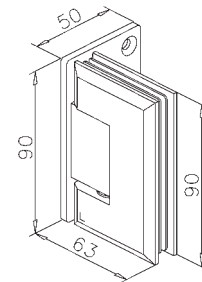
Chrome design

Art.no.

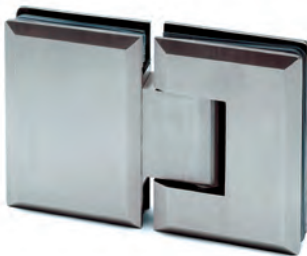
41.3112.090.10

glass

8 - 12 mm



Door hinge - 3212



glass/glass

Stainless steel design

Art.no.

41.3212.180.12

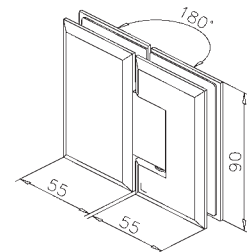
Chrome design

Art.no.

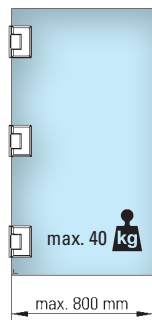
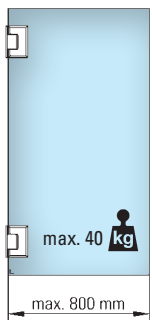
41.3212.180.10

glass

8 - 12 mm



INFO



The 3rd hinge in the middle serves to stabilize the door.



The 3rd hinge app. 300 mm mounted under the top hinge, gives 10% more door width.



Wall fixations

■ 98

Door hinge - 6012



ADJUST-
ABLE

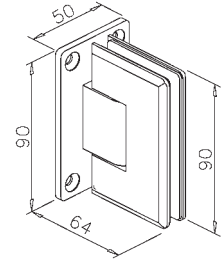
glass/wall

Stainless steel
design

Chrome
design

Anthracite
design

Art.no.	Art.no.	Art.no.	glass
41.6012.090.12	41.6012.090.10	41.6012.090.26	8 - 10 mm



Door hinge - 6112



ADJUST-
ABLE

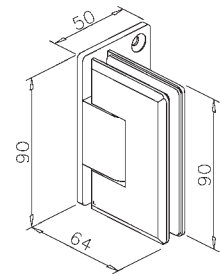
glass/wall

Stainless steel
design

Chrome
design

Anthracite
design

Art.no.	Art.no.	Art.no.	glass
41.6112.090.12	41.6112.090.10	41.6112.090.26	8 - 10 mm



Door hinge - 6212



ADJUST-
ABLE

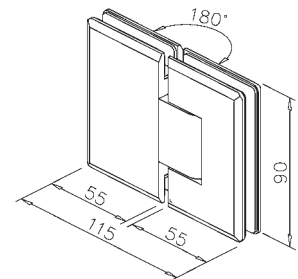
glass/glass

Stainless steel
design

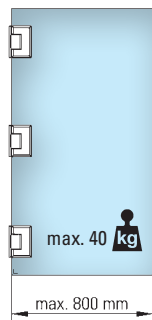
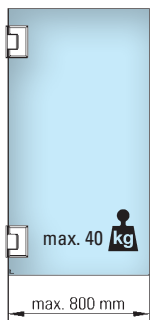
Chrome
design

Anthracite
design

Art.no.	Art.no.	Art.no.	glass
41.6212.180.12	41.6212.180.10	41.6212.180.26	8 - 10 mm



INFO



The 3rd hinge in the middle serves to stabilize the door.



The 3rd hinge app. 300 mm mounted under the top hinge, gives 10% more door width.

INFO Finishes



Stainless steel
design

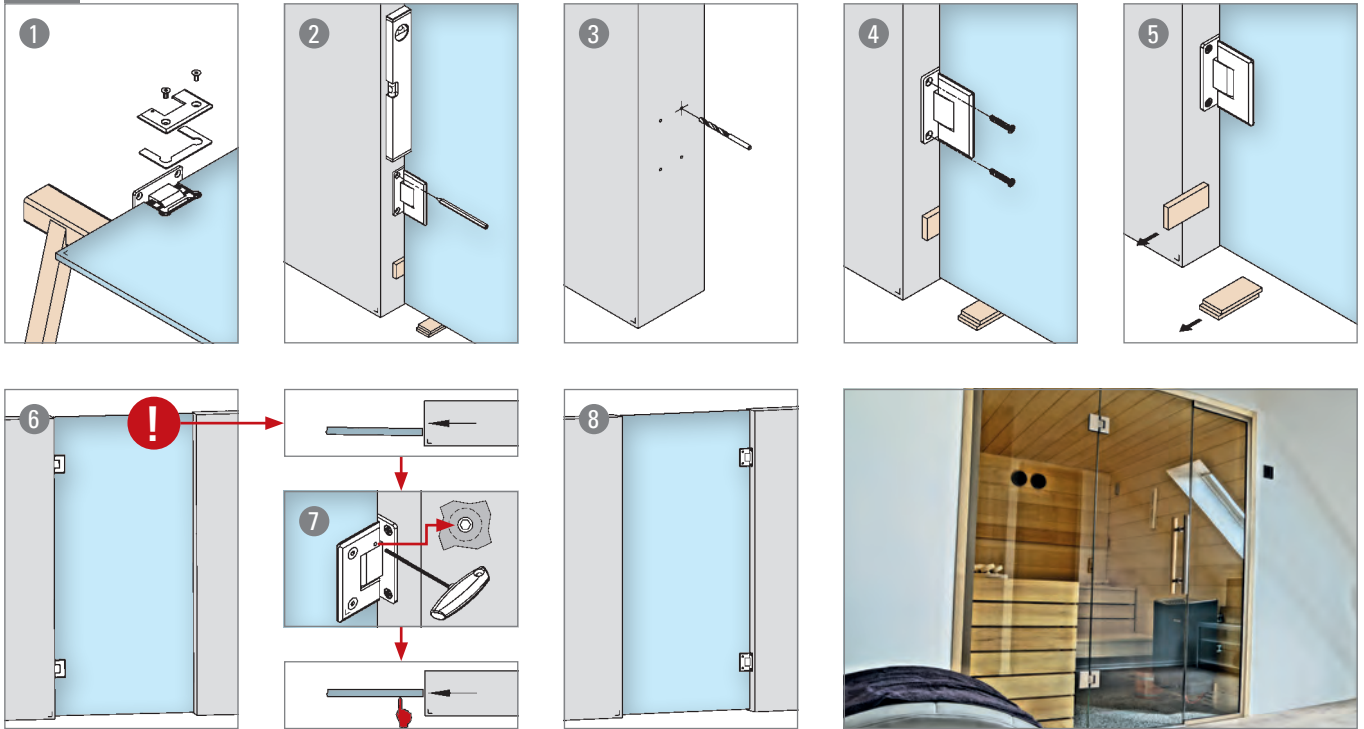


Chrome
design



Anthracite
design

INFO 41.6012.090...



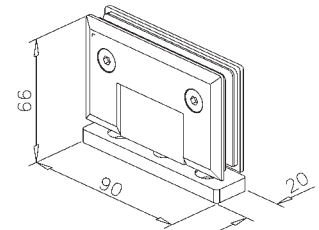
1

Door hinge - 6512

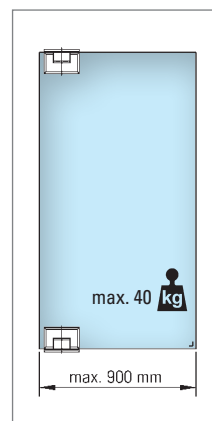
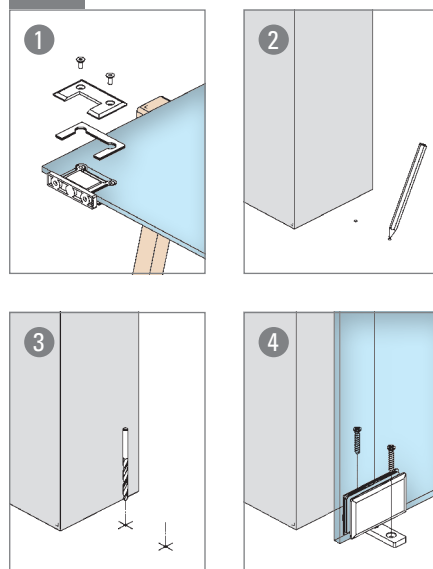


NEW

Stainless steel design	Chrome design	Anthracite design	glass
Art.no. 41.6512.000.12	Art.no. 41.6512.000.10	Art.no. 41.6512.000.26	8 - 10 mm



INFO 41.6512.000...



INFO Finishes



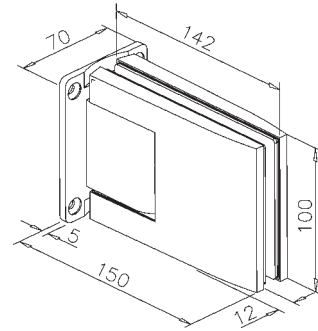
Hydraulic door hinge - 4412 / 090 (pair)



glass/wall

Stainless steel design

Art.no.	glass
41.4412.090.19	8 - 12 mm



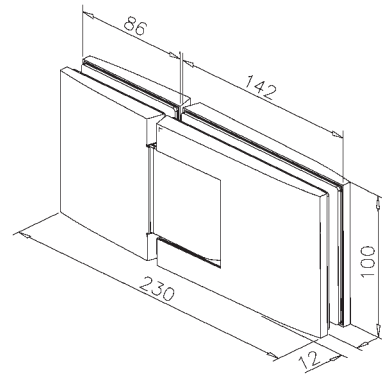
Hydraulic door hinge - 4412 / 180 (pair)



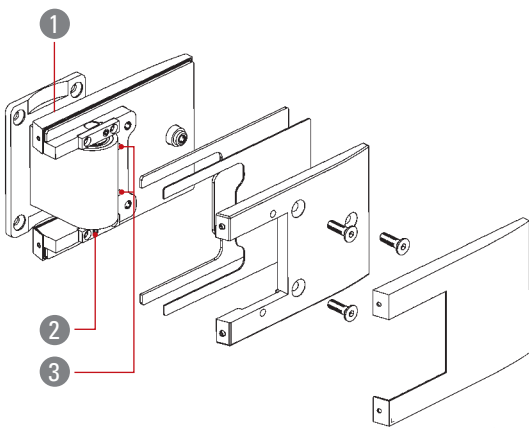
glass/glass

Stainless steel design

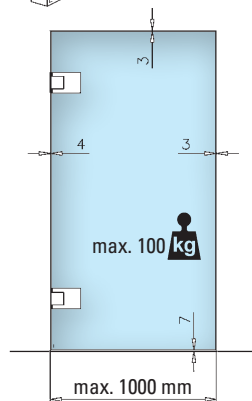
Art.no.	glass
41.4412.180.19	8 - 12 mm



INFO Mounting



- 1 Easy closing speed adjustment with screw valve
- 2 Adjusting system to control the close position up to $\pm 10^\circ$
- 3 Changeable system for a "90° Hold-open function" or "Not Hold-open function"



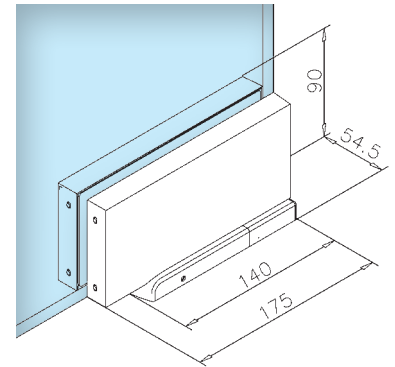
Hydraulic patch fitting - 106

EN
1154

NEW

Stainless steel
designAnthracite
design

Art.no.	Art.no.	glass
45.0106.000.12	45.0106.000.26	10 - 15 mm



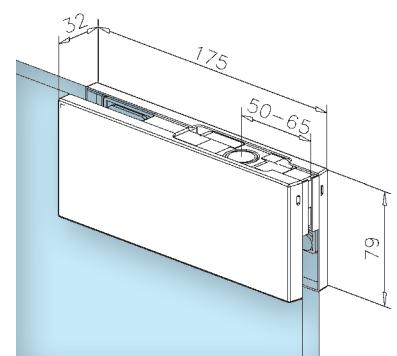
Upper glass corner patch - 107



NEW

Stainless steel
designAnthracite
design

Art.no.	Art.no.	glass
45.0107.000.12	45.0107.000.26	10 - 12 mm



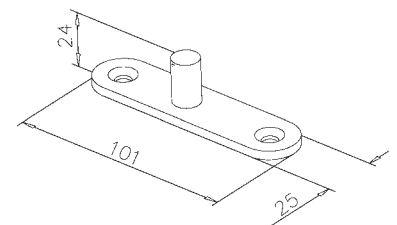
Top pivot - 108



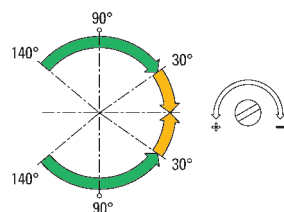
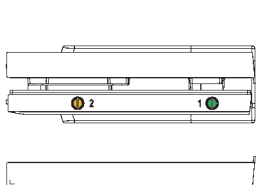
NEW

Stainless steel
designAnthracite
design

Art.no.	Art.no.
45.0108.000.12	45.0108.000.26



INFO 45.0106.000.12



Adjustable closing and braking speed
Hold-open point 90°
Max. opening 140°

Advantages

- Tested in accordance with **EN 1154** European standards for durability and excellent functionality.
- Quick and easy installation.
- Requires no digging.
- 3-way adjustment ($\pm 3,5$ mm to the front and rear / ± 5 mm left and right / $\pm 5^\circ$ alignment adjustment).

INFO Finishes

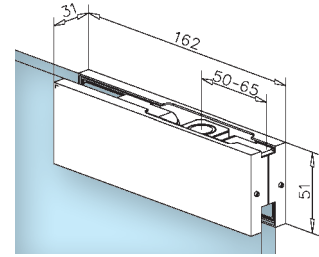
Stainless
steel designAnthracite
design

Upper glass corner patch - 2150



NEW

Stainless steel design	Anthracite design	glass
Art.no.	Art.no.	
45.2150.000.12	45.2150.000.26	10 - 12 mm

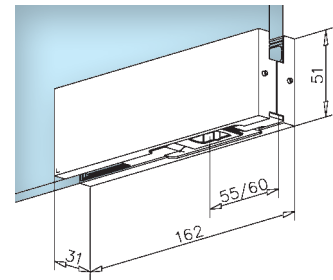


Lower glass door patch - 2152



NEW

Stainless steel design	Anthracite design	glass
Art.no.	Art.no.	
45.2152.000.12	45.2152.000.26	10 - 12 mm



Over glass panel pivot patch - 2153



glass/wall, M8

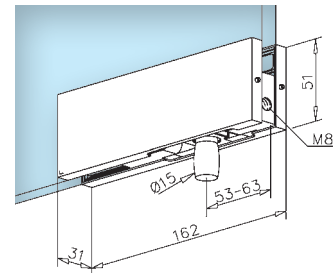
NEW

Stainless steel design	Anthracite design	glass
Art.no.	Art.no.	
45.2153.000.12	45.2153.000.26	10 - 12 mm

INFO Mounting



Dowel screw - M8 x 50 mm
Art.no. 19.0100.000.00 (■ 277)



Over glass panel door stop patch - 2158



M8

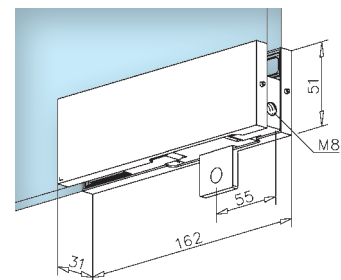
Stainless steel design

Art.no.	glass
45.2158.000.12	10 - 12 mm

INFO Mounting



Dowel screw - M8 x 50 mm
Art.no. 19.0100.000.00 (■ 277)



Over glass corner pivot patch - 2154



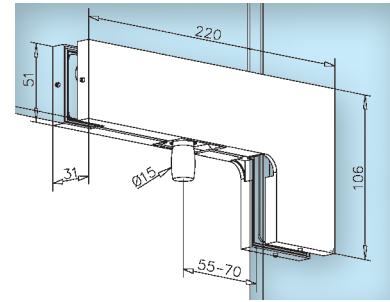
glass/glass

NEW

Stainless steel design

Anthracite design

Art.no.	Art.no.	glass
45.2154.000.12	45.2154.000.26	10 - 12 mm



Corner connection patch - 2157



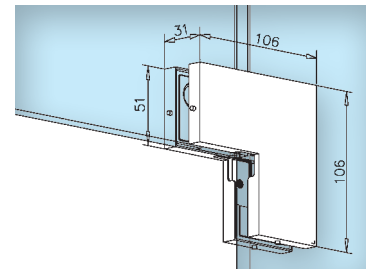
glass/glass

NEW

Stainless steel design

Anthracite design

Art.no.	Art.no.	glass
45.2157.000.12	45.2157.000.26	10 - 12 mm



INFO Finishes

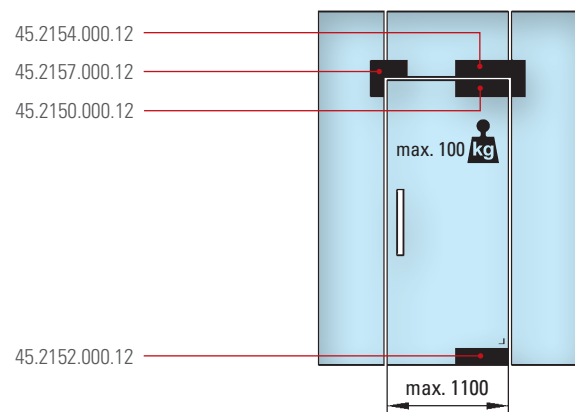
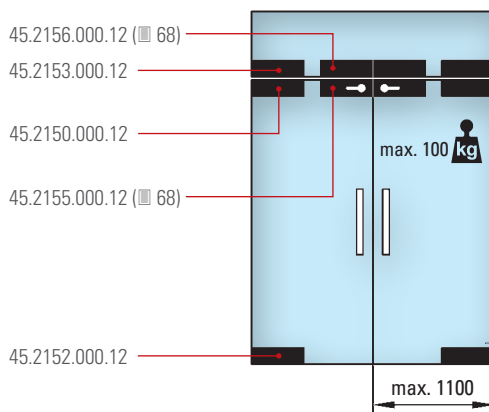
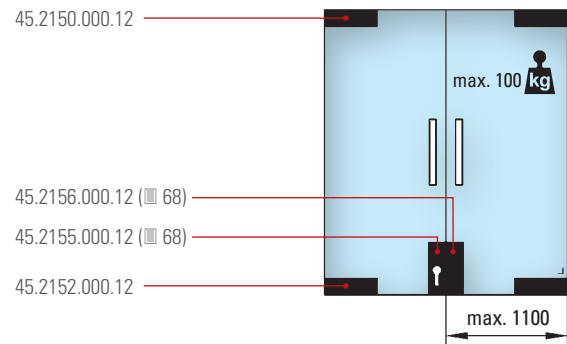
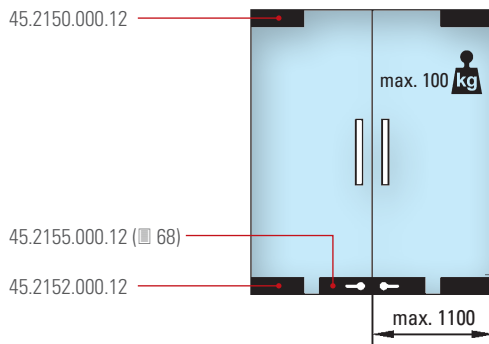


Stainless steel design



Anthracite design

INFO 45.2150.000.12 - 45.2157.000.12

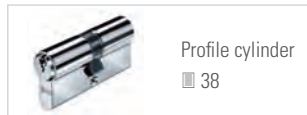


Locking patch - 2155

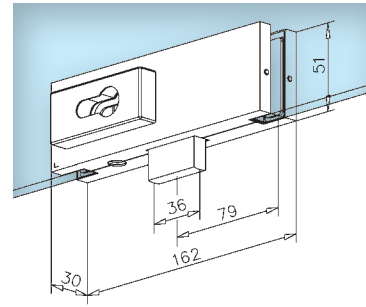


Stainless steel design

Art.no.	glass
45.2155.000.12	10 - 12 mm



Profile cylinder
■ 38

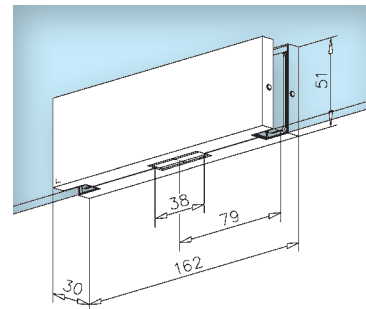


Strike box - 2156



Stainless steel design

Art.no.	glass
45.2156.000.12	10 - 12 mm



Top pivot - 2160

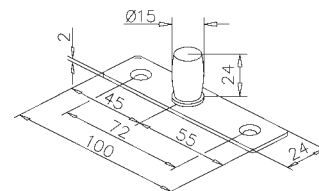


NEW

Stainless steel design

Anthracite design

Art.no.	Art.no.
45.2160.000.12	45.2160.000.26



Floor spindle - 2170



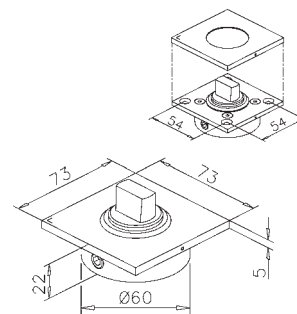
NEW

Restposition 4 x 90°

Stainless steel design

Anthracite design

Art.no.	Art.no.
45.2170.000.12	45.2170.000.26



max. 100 kg

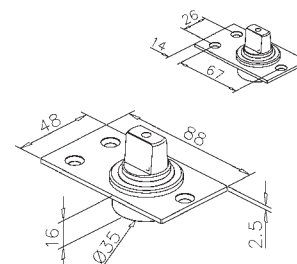
Floor spindle - 2171



with axis of rotation 360°

Stainless steel design

Art.no.
45.2171.000.12



max. 100 kg

Floor spring - 100



EN
1154

NEW

Stainless steel design

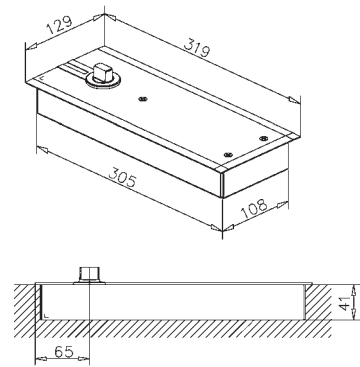
Anthracite design

Art.no.

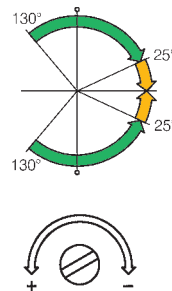
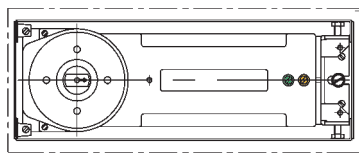
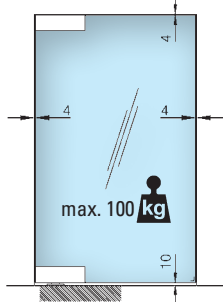
Art.no.

45.0100.000.12

45.0100.000.26



INFO 45.0100.000.12



Spring strength EN 3

Closing speed variable by valve adjustment

Second adjusting closing range ca. 130° - ca. 25°

Hold - open point ca. 90°

Max. opening ca. 130°

Door lock - 5010



with 3 keys

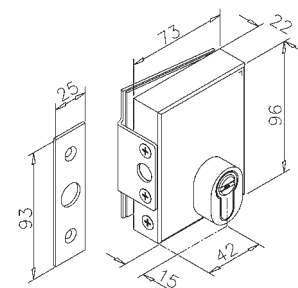
Stainless steel design

Art.no.

glass

45.5010.000.12

10 mm



Strike box - 5011



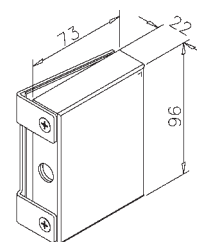
Stainless steel design

Art.no.

glass

45.5011.000.12

10 mm



Profile half cylinder 31/0 mm

EN
1303



with 3 keys

Stainless steel design

Art.no.

45.2710.910.12

Panel door - 6030



NEW

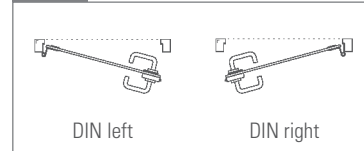
Stainless steel design **Art.no. ...12**
 Anthracite design **Art.no. ...26**

Door weight max. 45 kg
 Door height 2000 mm
 Door width 825 mm
 Glass 8 - 10 mm

INFO Mounting



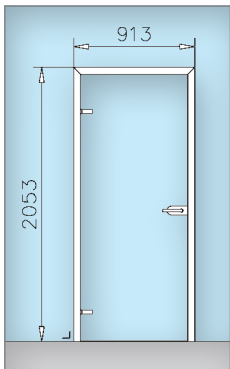
INFO Opening direction



INFO optional



6030 - 101 / 201



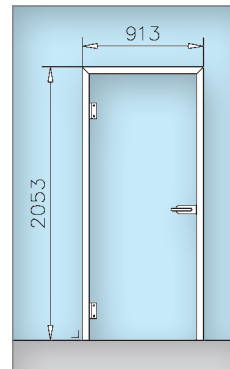
DIN left
Art.no. 29.6030.101.12

2 x 45.2281... (■ 78) 1 x 45.2210... (■ 36) 3 x 49.5252... (■ 74)

DIN right
Art.no. 29.6030.201.12

2 x 45.2280... (■ 78) 1 x 45.2210... (■ 36) 3 x 49.5252... (■ 74)

6030 - 102 / 202



DIN left
Art.no. 29.6030.102...

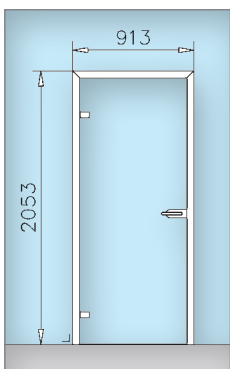
2 x 45.2702... (■ 31) 1 x 45.2210... (■ 36) 3 x 49.5252... (■ 74)

DIN right
Art.no. 29.6030.202...

2 x 45.2702... (■ 31) 1 x 45.2210... (■ 36) 3 x 49.5252... (■ 74)

6030 - 103 / 203

NEW



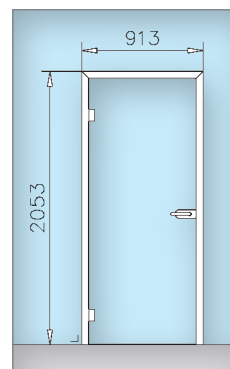
DIN left
Art.no. 29.6030.103...

2 x 41.0504... (■ 30) 1 x 45.2210... (■ 36) 3 x 49.5252... (■ 74)

DIN right
Art.no. 29.6030.203...

2 x 41.0504... (■ 30) 1 x 45.2210... (■ 36) 3 x 49.5252... (■ 74)

6030 - 104 / 204



DIN left
Art.no. 29.6030.104...

2 x 45.2240... (■ 28) 1 x 45.2210... (■ 36) 3 x 49.5252... (■ 74)

DIN right
Art.no. 29.6030.204...

2 x 45.2240... (■ 28) 1 x 45.2210... (■ 36) 3 x 49.5252... (■ 74)

For further details visit: www.g-fittings.com

Panel door - 6031



NEW

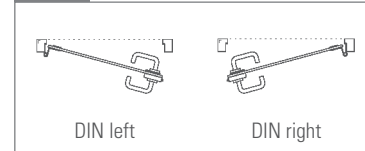
Stainless steel design **Art.no. ...12**
 Anthracite design **Art.no. ...26**

Door weight max. 45 kg
 Door height 2000 mm
 Door width 825 mm
 Glass 8 - 10 mm

INFO Mounting



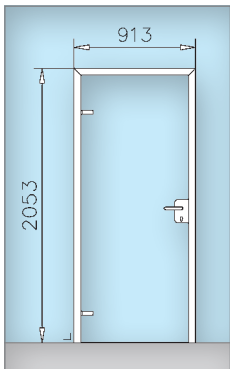
INFO Opening direction



INFO optional



6031 - 101 / 201



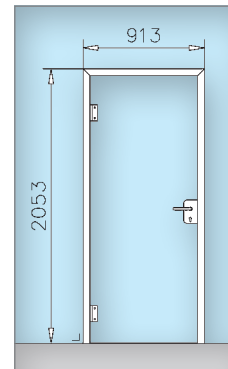
DIN left
Art.no. 29.6031.101.12

2 x 45.2281... (■ 78) 1 x 45.2910... (■ 38) 3 x 49.5252... (■ 74)

DIN right
Art.no. 29.6031.201.12

2 x 45.2280... (■ 78) 1 x 45.2920... (■ 38) 3 x 49.5252... (■ 74)

6031 - 102 / 202



DIN left
Art.no. 29.6031.102...

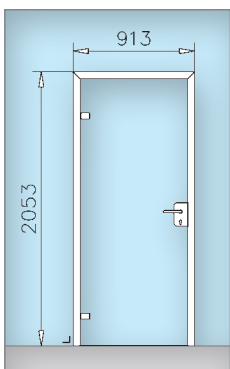
2 x 45.2702... (■ 31) 1 x 45.2910... (■ 38) 3 x 49.5252... (■ 74)

DIN right
Art.no. 29.6031.202...

2 x 45.2702... (■ 31) 1 x 45.2920... (■ 38) 3 x 49.5252... (■ 74)

6031 - 103 / 203

NEW



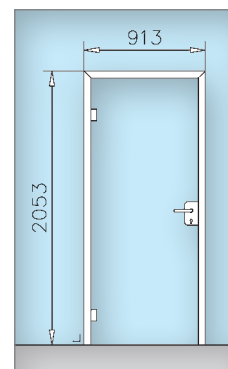
DIN left
Art.no. 29.6031.103...

2 x 41.0504... (■ 30) 1 x 45.2910... (■ 38) 3 x 49.5252... (■ 74)

DIN right
Art.no. 29.6031.203...

2 x 41.0504... (■ 30) 1 x 45.2920... (■ 38) 3 x 49.5252... (■ 74)

6031 - 104 / 204



DIN left
Art.no. 29.6031.104...

2 x 45.2240... (■ 28) 1 x 45.2910... (■ 38) 3 x 49.5252... (■ 74)

DIN right
Art.no. 29.6031.204...

2 x 45.2240... (■ 28) 1 x 45.2920... (■ 38) 3 x 49.5252... (■ 74)

For further details visit: www.g-fittings.com

Panel door - 6032



NEW

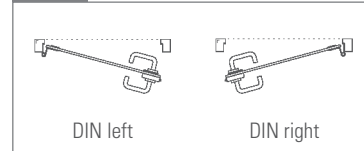
Stainless steel design **Art.no. ...12**
 Anthracite design **Art.no. ...26**

Door weight max. 65 kg
 Door height 2700 mm
 Door width 925 mm
 Glass 8 - 10 mm

INFO Mounting



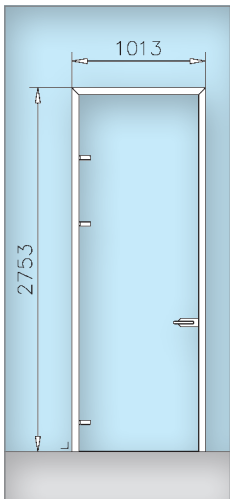
INFO Opening direction



INFO optional



6032 - 101 / 201



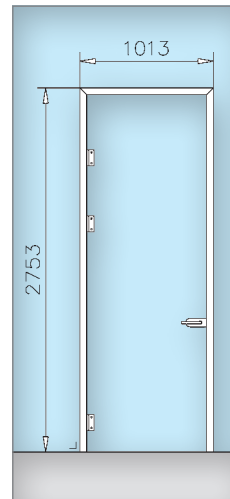
DIN left
Art.no. 29.6032.101.12



DIN right
Art.no. 29.6032.201.12



6032 - 102 / 202



DIN left
Art.no. 29.6032.102...

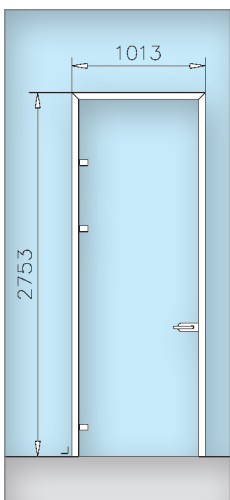


DIN right
Art.no. 29.6032.202...



6032 - 103 / 203

NEW



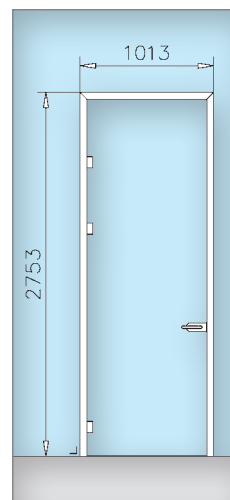
DIN left
Art.no. 29.6032.103...



DIN right
Art.no. 29.6032.203...



6032 - 104 / 204



DIN left
Art.no. 29.6032.104...



DIN right
Art.no. 29.6032.204...



For further details visit: www.g-fittings.com

Panel door - 6033



NEW

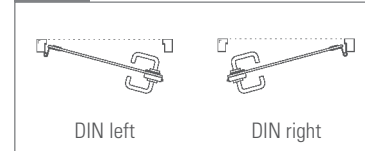
Stainless steel design **Art.no. ...12**
 Anthracite design **Art.no. ...26**

Door weight max. 65 kg
 Door height 2700 mm
 Door width 925 mm
 Glass 8 - 10 mm

INFO Mounting



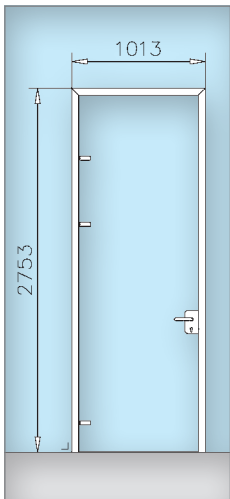
INFO Opening direction



INFO optional



6033 - 101 / 201



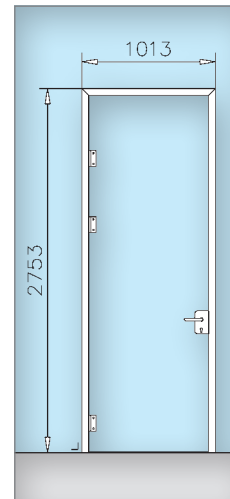
DIN left
Art.no. 29.6033.101.12

3 x 45.2281... (■ 78) 1 x 45.2910... (■ 38) 3 x 49.5252... (■ 74)

DIN right
Art.no. 29.6033.201.12

3 x 45.2280... (■ 78) 1 x 45.2920... (■ 38) 3 x 49.5252... (■ 74)

6033 - 102 / 202



DIN left
Art.no. 29.6033.102...

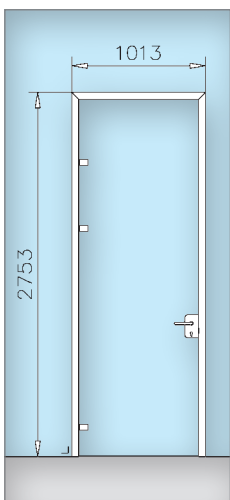
3 x 45.2702... (■ 31) 1 x 45.2910... (■ 38) 3 x 49.5252... (■ 74)

DIN right
Art.no. 29.6033.202...

3 x 45.2702... (■ 31) 1 x 45.2920... (■ 38) 3 x 49.5252... (■ 74)

6033 - 103 / 203

NEW



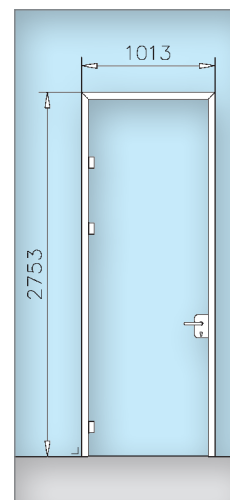
DIN left
Art.no. 29.6033.103...

3 x 41.0504... (■ 30) 1 x 45.2910... (■ 38) 3 x 49.5252... (■ 74)

DIN right
Art.no. 29.6033.203...

3 x 41.0504... (■ 30) 1 x 45.2920... (■ 38) 3 x 49.5252... (■ 74)

6033 - 104 / 204



DIN left
Art.no. 29.6033.104...

3 x 45.2240... (■ 28) 1 x 45.2910... (■ 38) 3 x 49.5252... (■ 74)

DIN right
Art.no. 29.6033.204...

3 x 45.2240... (■ 28) 1 x 45.2920... (■ 38) 3 x 49.5252... (■ 74)

For further details visit: www.g-fittings.com

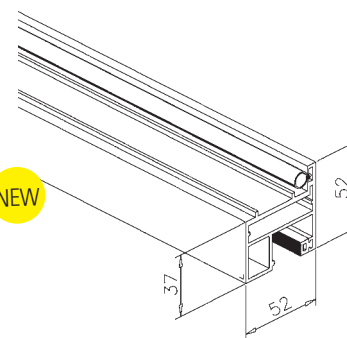
Panel profile - 5252



Aluminium

UL	L	Art.no.
52 x 52 x 37 mm	5000 mm	49.5252.500...
52 x 52 x 37 mm	2500 mm	49.5252.250...
52 x 52 x 37 mm	cutted	49.5252.999...

NEW

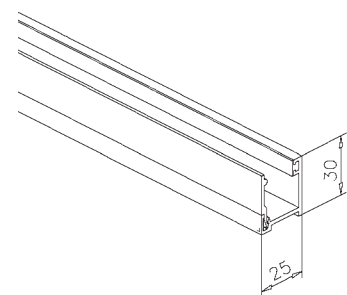


UL-channel profile - 2325



Aluminium

UL	L	Art.no.
30 x 25 x 30 mm	3000 mm	49.2325.300...
30 x 25 x 30 mm	2500 mm	49.2325.250...
30 x 25 x 30 mm	cutted	49.2325.999...

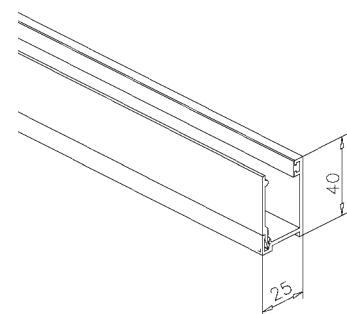


UL-channel profile - 2425



Aluminium

UL	L	Art.no.
40 x 25 x 40 mm	3000 mm	49.2425.300...
40 x 25 x 40 mm	2500 mm	49.2425.250...
40 x 25 x 40 mm	cutted	49.2425.999...



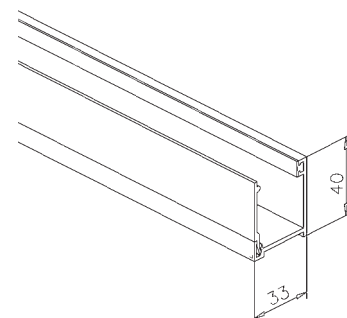
UL-channel profile - 2433



NEW

Aluminium

UL	L	Art.no.
40 x 33 x 40 mm	3000 mm	49.2433.300...
40 x 33 x 40 mm	2500 mm	49.2433.250...
40 x 33 x 40 mm	cutted	49.2433.999...

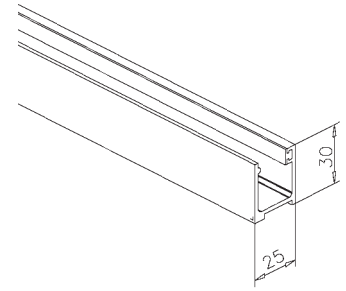


U-channel profile - 1325



Aluminium

U	L	Art.no.
30 x 25 x 30 mm	3000 mm	49.1325.300...
30 x 25 x 30 mm	2500 mm	49.1325.250...
30 x 25 x 30 mm	cutted	49.1325.999...

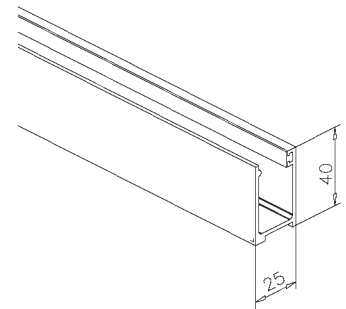


U-channel profile - 1425

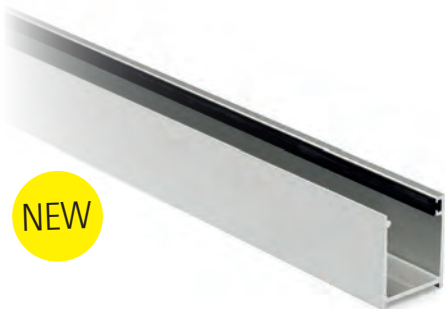


Aluminium

U	L	Art.no.
40 x 25 x 40 mm	3000 mm	49.1425.300...
40 x 25 x 40 mm	2500 mm	49.1425.250...
40 x 25 x 40 mm	cutted	49.1425.999...



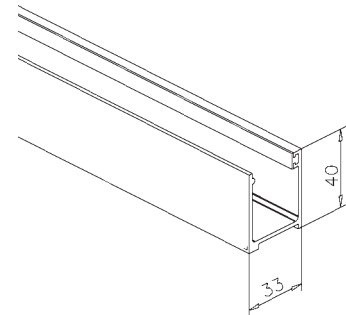
U-channel profile - 1433



NEW

Aluminium

U	L	Art.no.
40 x 33 x 40 mm	3000 mm	49.1433.300...
40 x 33 x 40 mm	2500 mm	49.1433.250...
40 x 33 x 40 mm	cutted	49.1433.999...

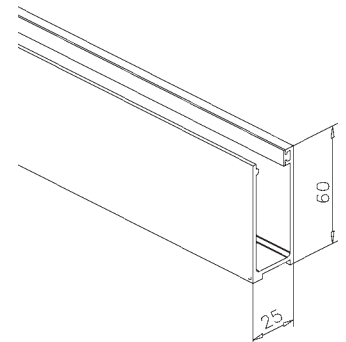


U-channel profile - 1625



Aluminium, silver matt anodized

U	L	Art.no.
60 x 25 x 60 mm	3000 mm	49.1625.300.46
60 x 25 x 60 mm	2500 mm	49.1625.250.46
60 x 25 x 60 mm	cutted	49.1625.999.46



INFO Finishes

 <p>silver matt anodized Art.no. ...46</p>	 <p>anthracite design Art.no. ...26</p>
-----------------------------------------------------------------------------------------------------------------------------------	----------------------------------------------------------------------------------------------------------------------------------

NEW

Drilling template - 1120

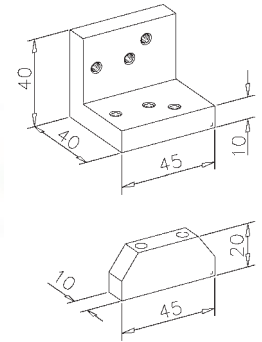


for panel profile - 5252

Art.no.

91.1120.000.00

Mounting kit - 9000



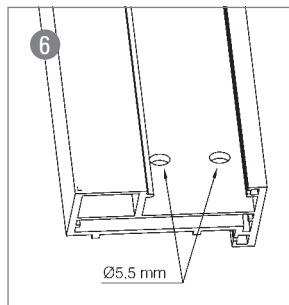
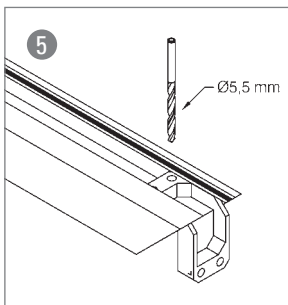
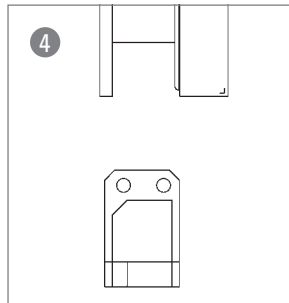
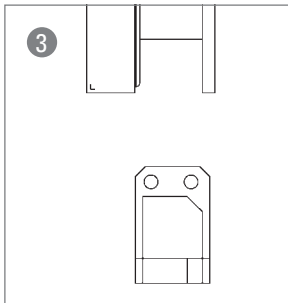
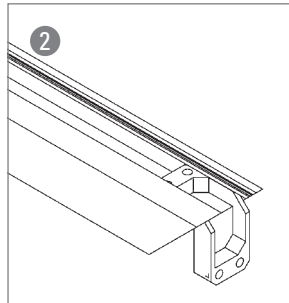
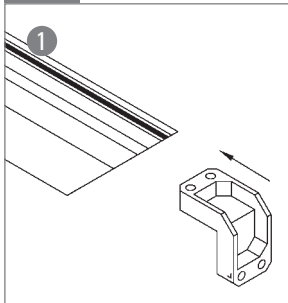
for panel profile - 5252

Aluminium

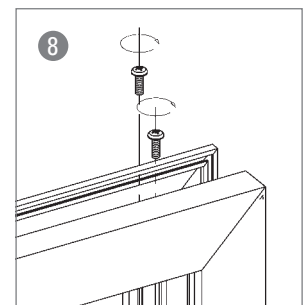
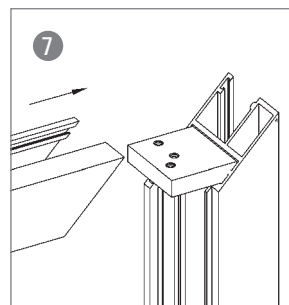
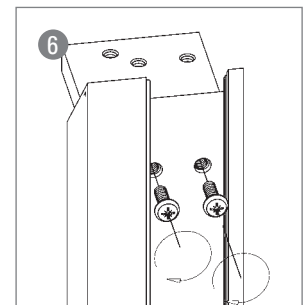
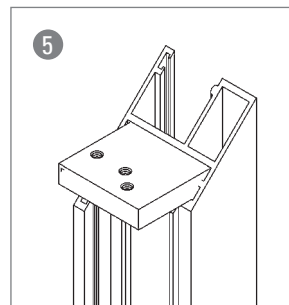
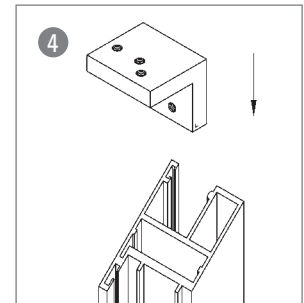
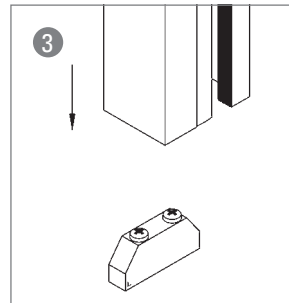
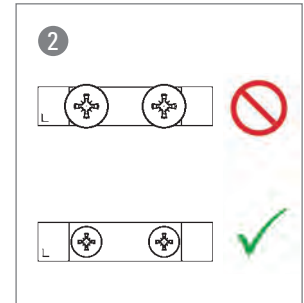
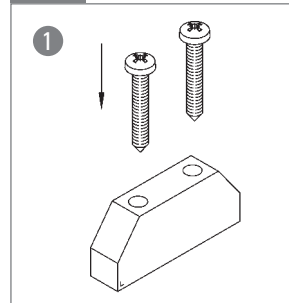
Art.no.

93.9000.000.00

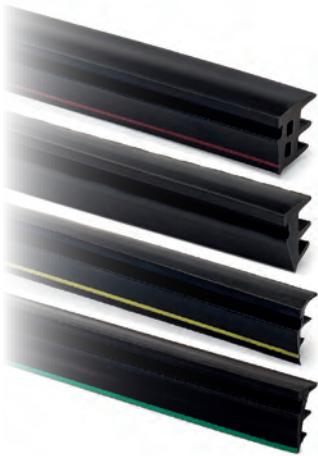
INFO Drilling template



INFO Mounting kit

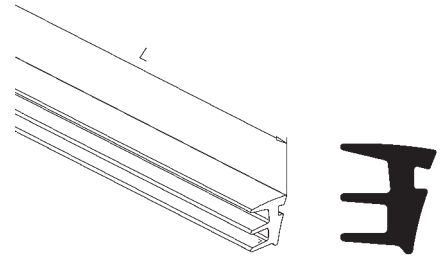


Glass gasket profile - 706...

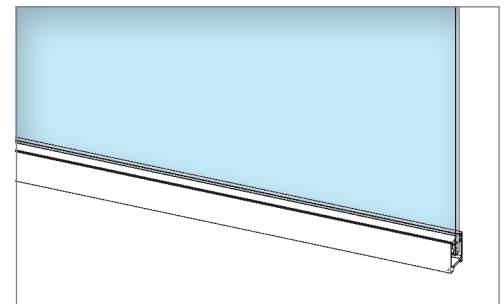
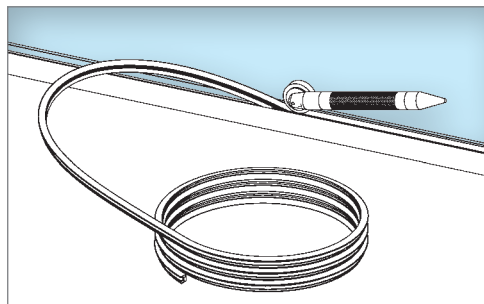


EPDM black

Art.no.	Colour code	L
19.7060.020.00	●	20 m
19.7061.020.00	●	20 m
19.7062.020.00	●	20 m
19.7063.020.00	●	20 m
19.7060.100.00	●	100 m
19.7061.100.00	●	100 m
19.7062.100.00	●	100 m
19.7063.100.00	●	100 m



INFO Mounting



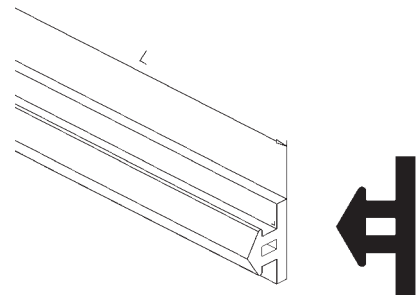
Glass gasket profile - 7065



for 49.5252... (glass 16,76 - 21,52 mm)

EPDM black

Art.no.	Colour code	L
19.7065.010.00	●	10 m



INFO Profile - Glass - Glass gasket profile

Profile	Glass							
	8 - 8,76 mm	10 - 10,76 mm	11,52 - 12 mm	12,76 mm	16,76 mm	17,52 mm	20,76 mm	21,52 mm
5252	●	●	●	●	● + ●	● + ●	● + ●	● + Silicone
1325	●	●	●	●				
1425	●	●	●	●				
1433					●	●	●	Silicone
1625	●	●	●	●				
2325	●	●	●	●				
2425	●	●	●	●				
2433					●	●	●	Silicone

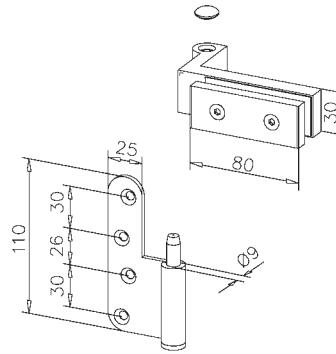
1

Glass door hinge - 2280



DIN right
silver matt anodized

Art.no.	glass
45.2280.000.46	8 - 10 mm

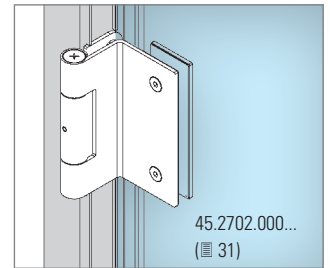
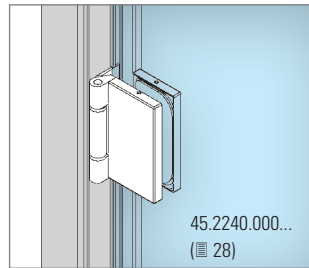
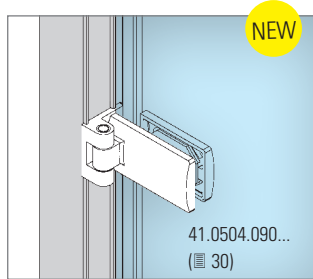
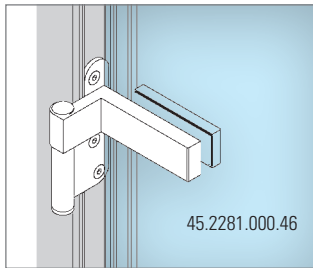
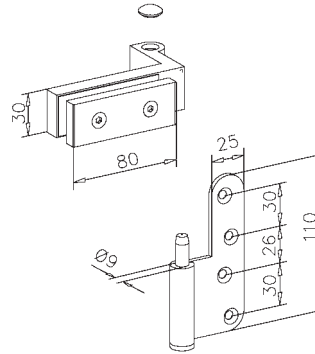


Glass door hinge - 2281



DIN left
silver matt anodized

Art.no.	glass
45.2281.000.46	8 - 10 mm

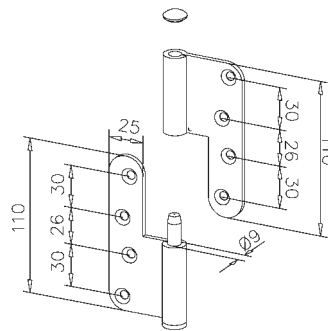


Wooden door hinge - 2400



DIN right
Steel, grey coated

Art.no.
45.2400.000.00

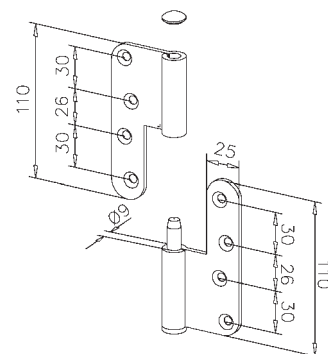


Wooden door hinge - 2401

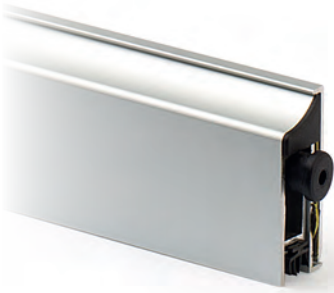


DIN left
Steel, grey coated

Art.no.
45.2401.000.00



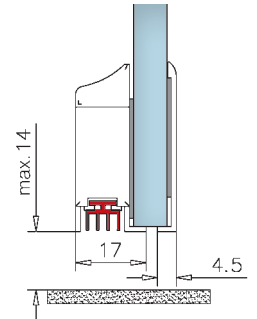
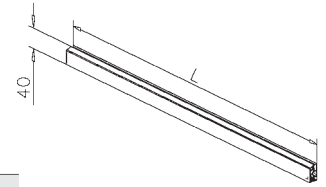
Drop down seal - 0100 / 0200



self-adhesive

L		Stainless steel design	silver matt anodized	Anthracite design
		Art.no.	Art.no.	Art.no.
825 mm	DIN right	55.0100.825.19	55.0100.825.46	55.0100.825.26
825 mm	DIN left	55.0200.825.19	55.0200.825.46	55.0200.825.26
925 mm	DIN right	55.0100.925.19	55.0100.925.46	55.0100.925.26
925 mm	DIN left	55.0200.925.19	55.0200.925.46	55.0200.925.26
1030 mm	DIN right		55.0100.103.46	55.0100.103.26
1030 mm	DIN left		55.0200.103.46	55.0200.103.26
1100 mm	DIN right		55.0100.110.46	
1100 mm	DIN left		55.0200.110.46	

NEW



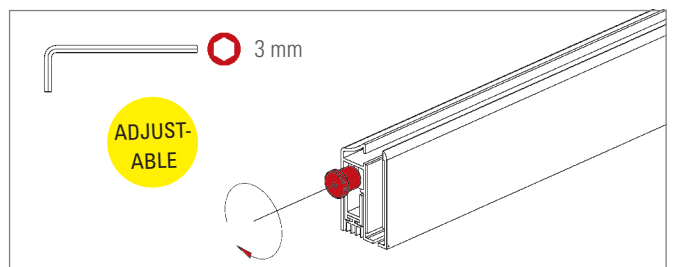
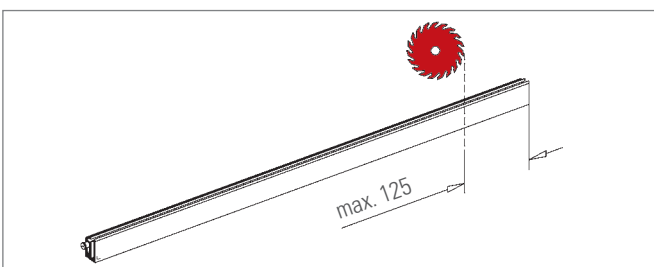
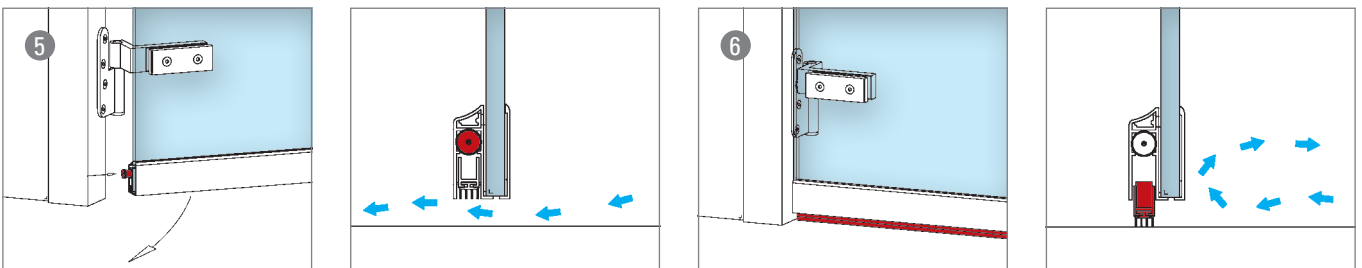
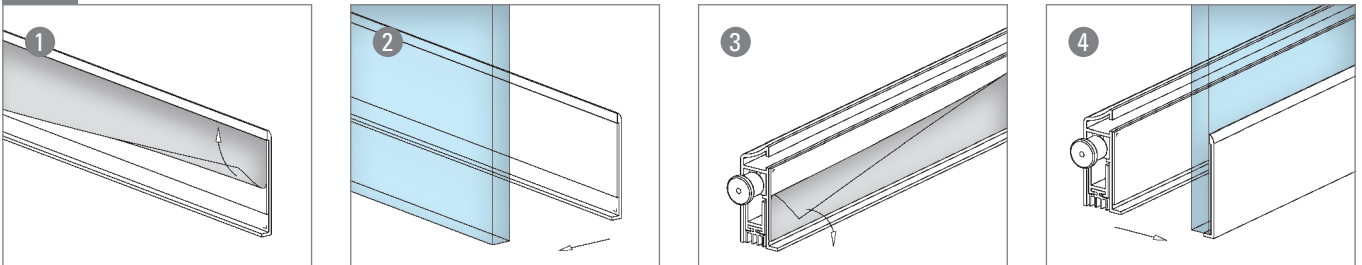
INFO Opening direction



INFO Finishes



INFO Mounting



2





2 Door handles 82

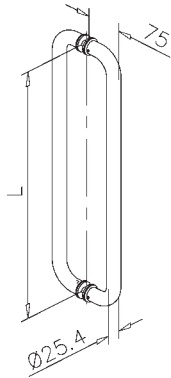


2 Recessed grips 90



2 Door knobs 91

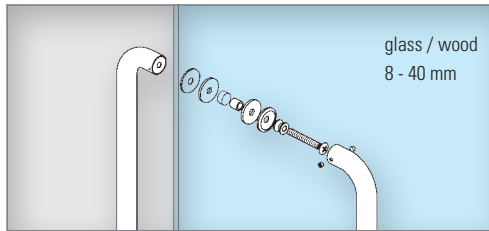
Door handle - 51



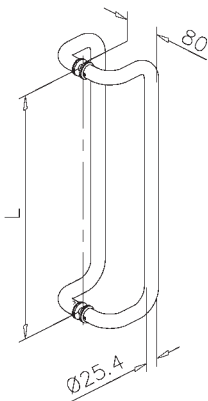
double-sided, Ø 25,4 mm

Stainless steel design

L	Art.no.
300 mm	47.5100.300.12
500 mm	47.5100.500.12
700 mm	47.5100.700.12



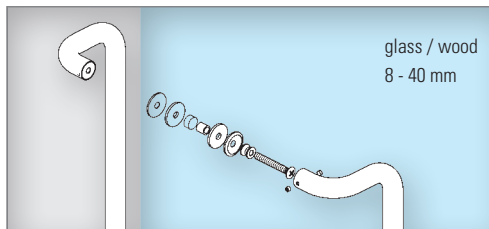
Door handle - 52



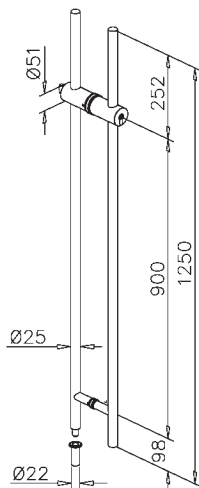
90° - double-sided, Ø 25,4 mm

Stainless steel design

L	Art.no.
300 mm	47.5200.300.12
500 mm	47.5200.500.12
700 mm	47.5200.700.12




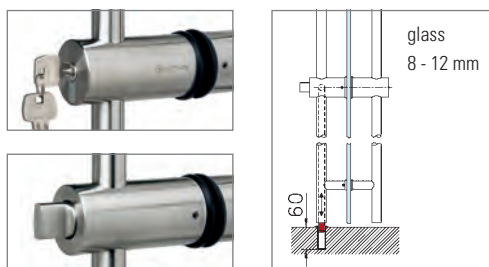
Door handle - 203 / 204



with PC lock system - double-sided, Ø 25,0 mm

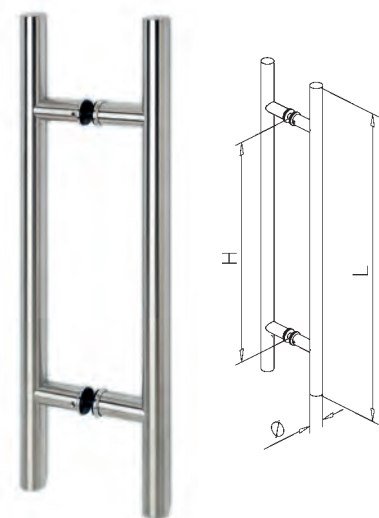
Stainless steel design

	Art.no.
 KD: keyed different	47.0203.025.12
NEW KA: keyed alike	47.0204.025.12



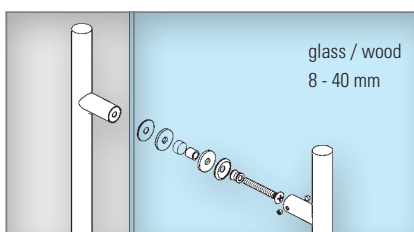
2

Door handle - 53 / 54



double-sided

Ø	L	H	Stainless steel design	Chrome design	Brass design	Anthracite design
			Art.no.	Art.no.	Art.no.	Art.no.
19,0 mm	300 mm	200 mm	47.5303.019.12	47.5303.019.10	47.5303.019.22	
19,0 mm	500 mm	300 mm	47.5305.019.12	47.5305.019.10	47.5305.019.22	
19,0 mm	700 mm	500 mm	47.5307.019.12	47.5307.019.10	47.5307.019.22	
25,4 mm (1")	500 mm	300 mm	47.5405.025.12	47.5405.025.10	47.5405.025.22	47.5405.025.26
25,4 mm (1")	700 mm	500 mm	47.5407.025.12	47.5407.025.10	47.5407.025.22	47.5407.025.26
25,4 mm (1")	1000 mm	800 mm	47.5410.025.12	47.5410.025.10	47.5410.025.22	47.5410.025.26

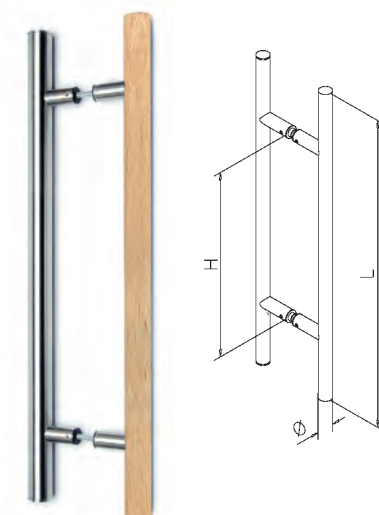


INFO Finishes



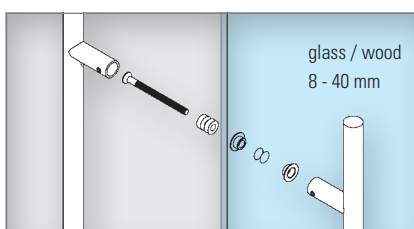
Sauna door handle - 59

NEW



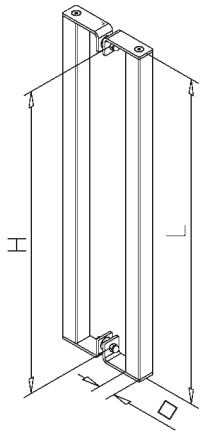
double-sided - Obeche wood indoor

Ø	L	H	Stainless steel design	Chrome design	Anthracite design
			Art.no.	Art.no.	Art.no.
19,0 mm	300 mm	200 mm	47.5903.019.12	47.5903.019.10	47.5903.019.26
19,0 mm	500 mm	300 mm	47.5905.019.12	47.5905.019.10	47.5905.019.26
25,4 mm (1")	500 mm	300 mm	47.5905.025.12	47.5905.025.10	47.5905.025.26
25,4 mm (1")	700 mm	500 mm	47.5907.025.12	47.5907.025.10	47.5907.025.26



NEW

Door handle - 71

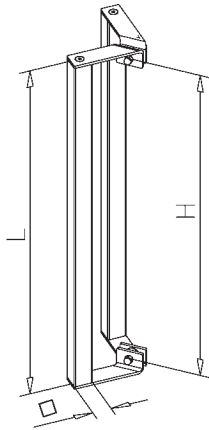


double-sided - 90°
for glass / wood 6 - 40 mm

Stainless steel design

□	L	H	Art.no.
20 x 20 mm	500 mm	460 mm	47.7105.420.12
20 x 20 mm	700 mm	660 mm	47.7107.420.12
20 x 20 mm	1000 mm	960 mm	47.7110.420.12
35 x 35 mm	700 mm	650 mm	47.7107.435.12
35 x 35 mm	1000 mm	950 mm	47.7110.435.12
35 x 35 mm	1200 mm	1150 mm	47.7112.435.12

Door handle - 73



double-sided - 45°
for glass / wood 6 - 40 mm

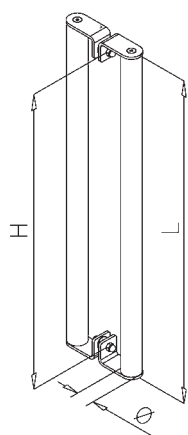
Stainless steel design

□	L	H	Art.no.
20 x 20 mm	500 mm	460 mm	47.7305.420.12
20 x 20 mm	700 mm	660 mm	47.7307.420.12
20 x 20 mm	1000 mm	960 mm	47.7310.420.12
35 x 35 mm	700 mm	650 mm	47.7307.435.12
35 x 35 mm	1000 mm	950 mm	47.7310.435.12
35 x 35 mm	1200 mm <td 1150 mm	47.7312.435.12	



NEW

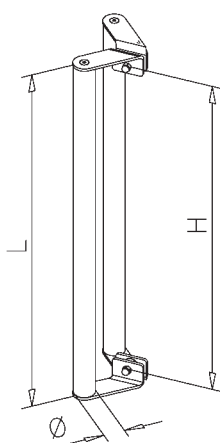
Door handle - 75



double-sided - 90°
for glass / wood 6 - 40 mm

Ø	L	H	Stainless steel design	
			Art.no.	
25,4 mm (1")	500 mm	460 mm	47.7505.025.12	
25,4 mm (1")	700 mm	660 mm	47.7507.025.12	
25,4 mm (1")	1000 mm	960 mm	47.7510.025.12	
38,1 mm (1,5")	700 mm	640 mm	47.7507.038.12	
38,1 mm (1,5")	1000 mm	940 mm	47.7510.038.12	
38,1 mm (1,5")	1200 mm	1140 mm	47.7512.038.12	

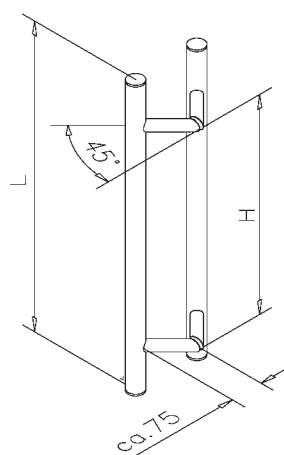
Door handle - 77



double-sided - 45°
for glass / wood 6 - 40 mm

Ø	L	H	Stainless steel design	
			Art.no.	
25,4 mm (1")	500 mm	460 mm	47.7705.025.12	
25,4 mm (1")	700 mm	660 mm	47.7707.025.12	
25,4 mm (1")	1000 mm	960 mm	47.7710.025.12	
38,1 mm (1,5")	700 mm	640 mm	47.7707.038.12	
38,1 mm (1,5")	1000 mm	940 mm	47.7710.038.12	
38,1 mm (1,5")	1200 mm	1140 mm	47.7712.038.12	

Door handle - 81



double-sided - 45°
for glass / wood 6 - 20 mm

Ø	L	H	Stainless steel design	Chrome design
			Art.no.	Art.no.
25,4 mm (1")	500 mm	300 mm	47.8105.025.12	47.8105.025.10
25,4 mm (1")	700 mm	500 mm	47.8107.025.12	47.8107.025.10
25,4 mm (1")	1000 mm	800 mm	47.8110.025.12	47.8110.025.10
38,1 mm (1,5")	700 mm	500 mm	47.8107.038.12	47.8107.038.10
38,1 mm (1,5")	1000 mm	800 mm	47.8110.038.12	47.8110.038.10
38,1 mm (1,5")	1200 mm	1000 mm	47.8112.038.12	47.8112.038.10

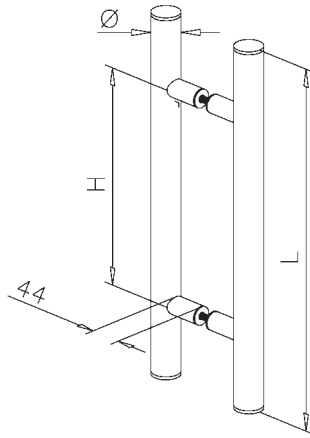
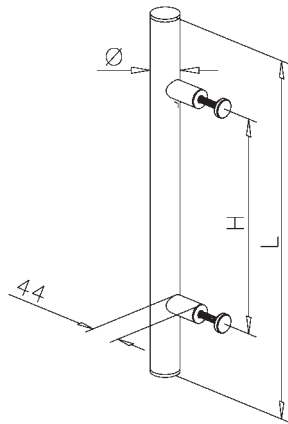
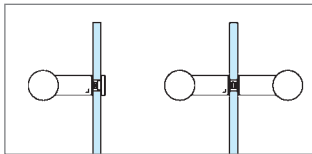
Door handles 625 - 90

Create your own completely custom door handle.
 You can select from many different materials,
 sizes, 1-sided or 2 and different finishes.
 And you will of course also set the dimensions!

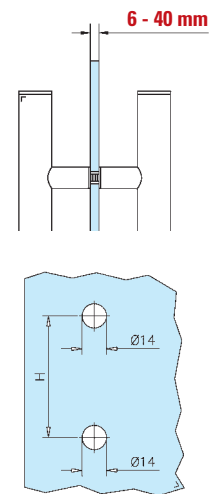
2



Adapter 90°

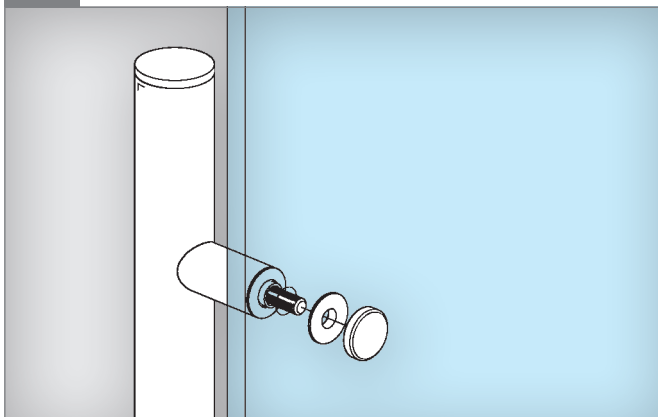


INFO glass / wood

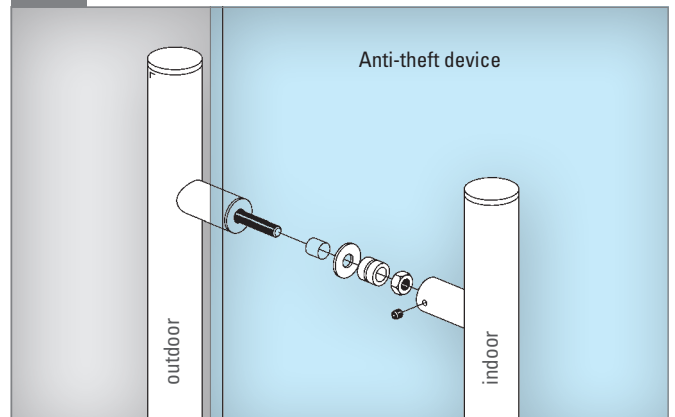


Proposal inquiry

INFO one-sided



INFO double-sided



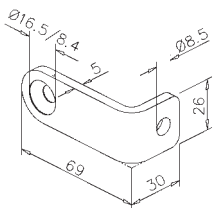
Door handles 109 - 90

- Stainless steel design -

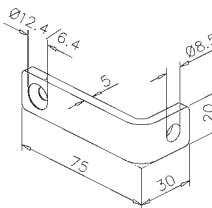


2

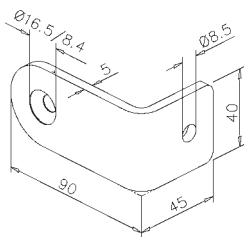
Ø 25,4 mm



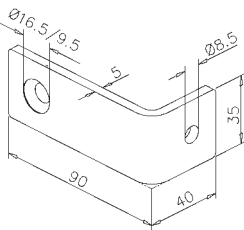
□ 20 x 20 mm



Ø 38,1 mm

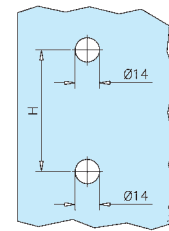
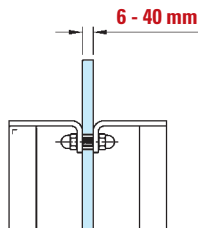


□ 35 x 35 mm

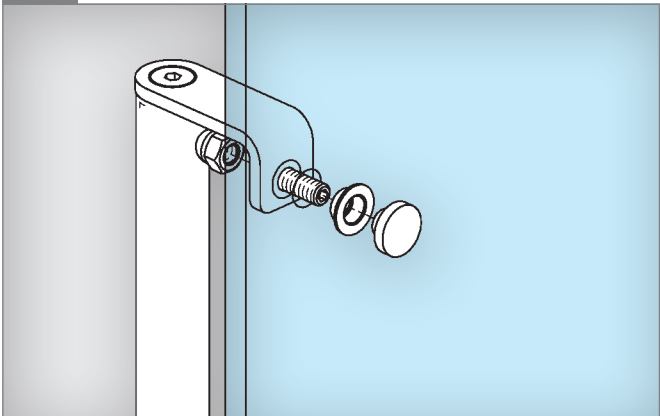


Proposal inquiry

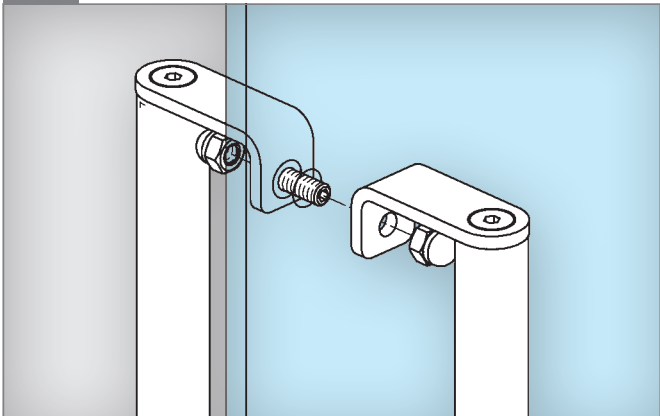
INFO glass / wood



INFO one-sided



INFO double-sided



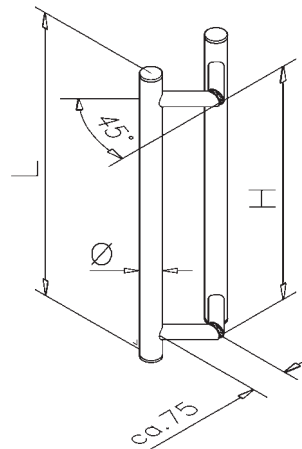
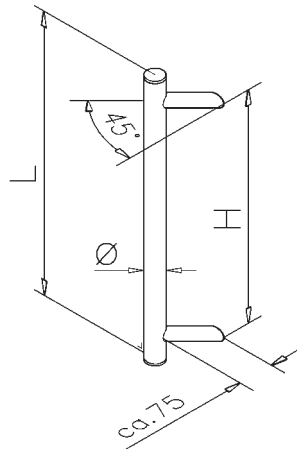
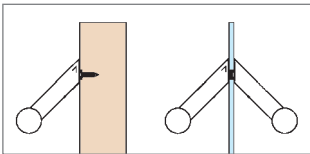
Door handles 625 - 45

If you want an even more customised solution, then the 45° design door handles are just right for you. With this option too, you can select from many different materials, sizes, 1-sided or 2 and different finishes.

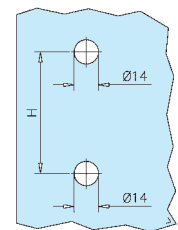
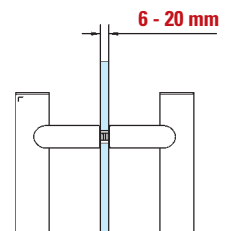
And you also get to set the dimensions yourself!



Adapter 45°

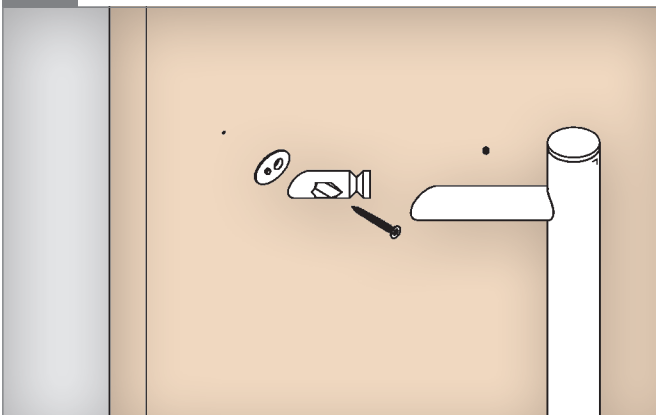


INFO glass / wood

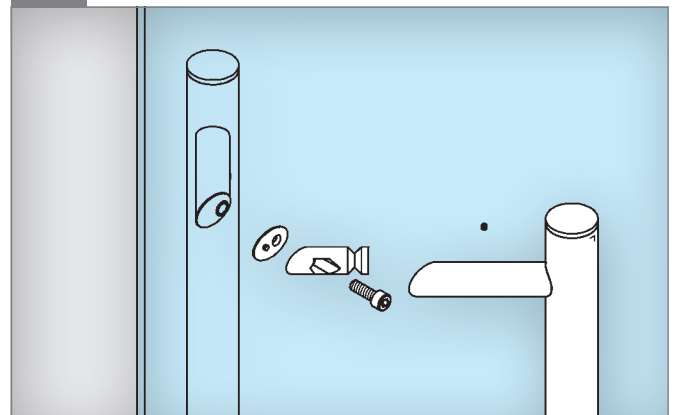


Proposal inquiry

INFO one-sided



INFO double-sided



NEW

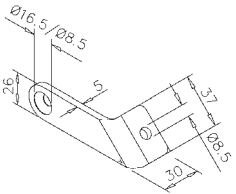
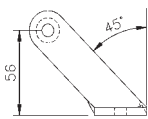
Door handles 110-45

- Stainless steel design -

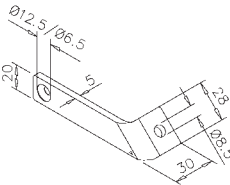
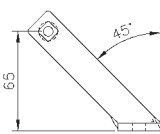
2



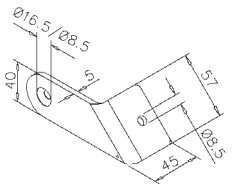
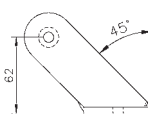
Ø 25,4 mm



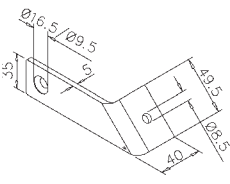
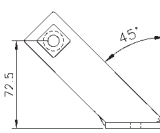
□ 20 x 20 mm



Ø 38,1 mm

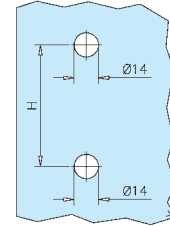
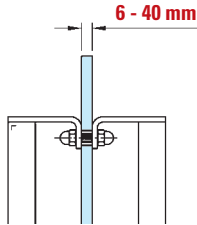


□ 35 x 35 mm

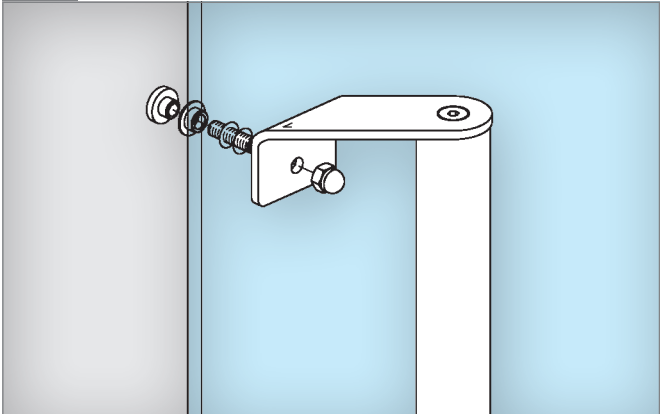


Proposal inquiry

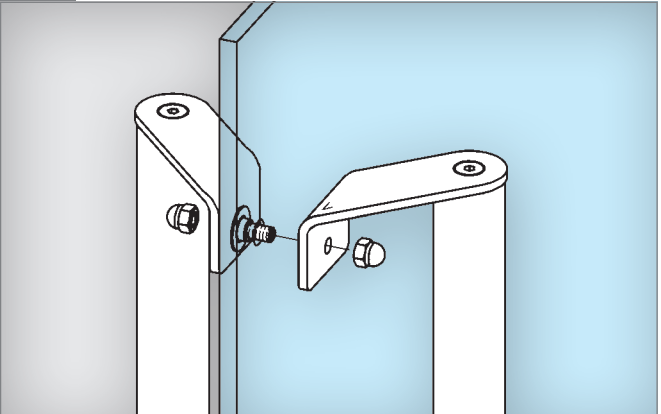
INFO glass / wood



INFO one-sided



INFO double-sided



Recessed grip - 103/000



self-adhesive

NEW

NEW

Stainless steel design

Chrome design

Anthracite design

Art.no.

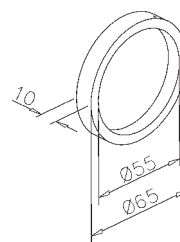
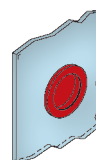
Art.no.

Art.no.

47.0103.000.12

47.0103.000.10

47.0103.000.26



Square recessed grip - 4103/000

NEW



self-adhesive

Stainless steel design

Chrome design

Anthracite design

Art.no.

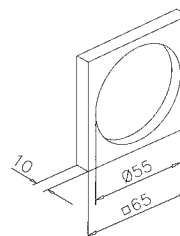
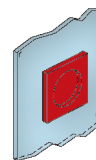
Art.no.

Art.no.

47.4103.000.12

47.4103.000.10

47.4103.000.26



Recessed grip - 103



Stainless steel design

Chrome design

Anthracite design

Art.no.

Art.no.

Art.no.

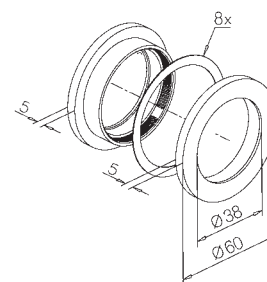
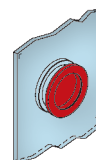
glass

47.0103.060.12

47.0103.060.10

47.0103.060.26

8 - 12 mm



Open recessed grip - 104



Stainless steel design

Chrome design

Anthracite design

Art.no.

Art.no.

Art.no.

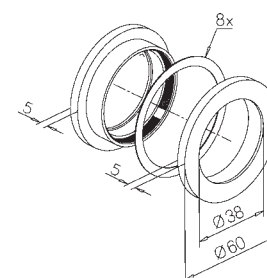
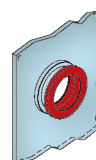
glass

47.0104.060.12

47.0104.060.10

47.0104.060.26

8 - 12 mm



Square recessed grip - 4103



Stainless steel design

Chrome design

Anthracite design

Art.no.

Art.no.

Art.no.

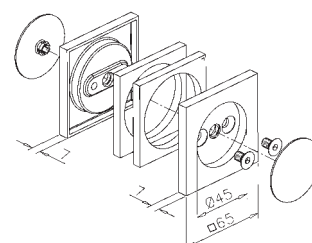
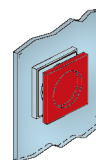
glass

47.4103.465.12

47.4103.465.10

47.4103.465.26

8 - 12 mm



Cover caps

for square recessed grip, nylon

Art.no.

colour

19.7006.044.20

Stainless steel design

19.7006.044.23

Chrome design

19.7006.044.31

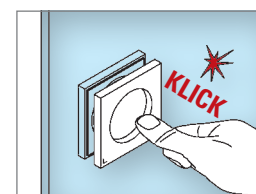
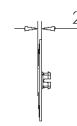
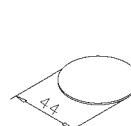
jet black, RAL 9005

19.7006.044.34

signal red, RAL 3001

19.7006.044.35

gentian blue, RAL 5010



Door knob - 101



double-sided

Stainless steel design

Chrome design

Art.no.

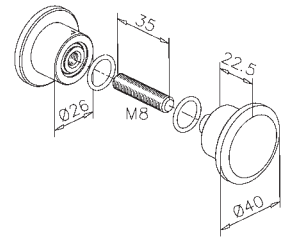
Art.no.

glass

47.0101.040.12

47.0101.040.10

8 - 12 mm



Door knob - 102



double-sided

Stainless steel design

Chrome design

Art.no.

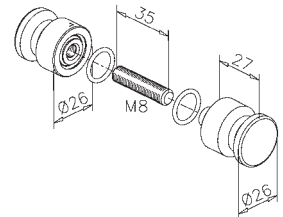
Art.no.

glass

47.0102.025.12

47.0102.025.10

8 - 12 mm



Door knob - 106



double-sided

Stainless steel design

Chrome design

Art.no.

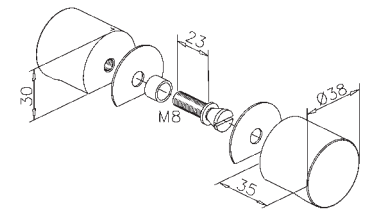
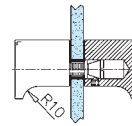
Art.no.

glass

47.0106.038.12

47.0106.038.10

8 - 12 mm



Door knob - 107



double-sided

Stainless steel design

Chrome design

NEW

Anthracite design

Art.no.

Art.no.

Art.no.

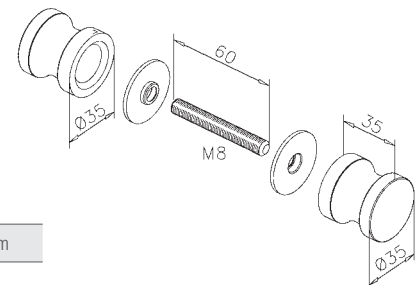
glass

47.0107.035.12

47.0107.035.10

47.0107.035.26

6 - 12 mm



Door knob - 4106



NEW

double-sided

Stainless steel design

Chrome design

Anthracite design

Art.no.

Art.no.

Art.no.

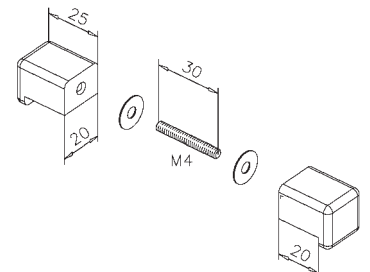
glass

47.4106.420.12

47.4106.420.10

47.4106.420.26

8 - 12 mm



INFO Finishes



Stainless steel design



Chrome design



Anthracite design

3

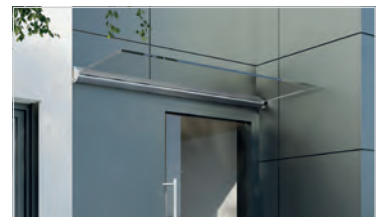




3 Partition walls 94



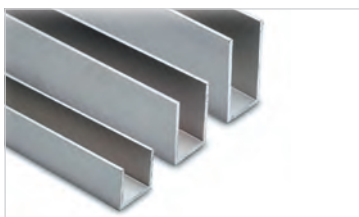
3 Glass clamps 98



3 Glass awning systems 100



3 Partition wall profiles 104



3 Aluminium profiles 106

Partition wall - 4100



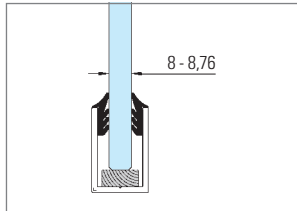
L 5000 mm (Chrome design L 2500 mm)

Glass 8 / 8,7 / 10 / 10,7 mm

3

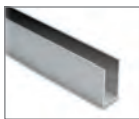
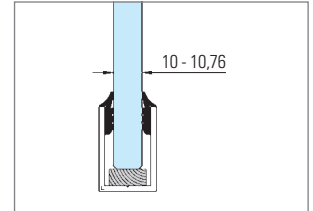
Glass 8 / 8,7 mm

Art.no. 29.4100.008...



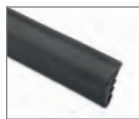
Glass 10 / 10,7 mm

Art.no. 29.4100.010...



1 x 49.0900.402...
(108)

Chrome design:
1 x 49.8925.402.48
(108)



2 x 19.7030.008.00
(109)

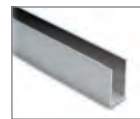
Chrome design:
1 x 19.7030.008.00
(109)



1 x 19.7040.040.00
(109)

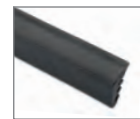


1 x 48.5680.122.00
1 x 48.5680.126.00
(109)



1 x 49.0900.402...
(108)

Chrome design:
1 x 49.8925.402.48
(108)



2 x 19.7030.010.00
(109)

Chrome design:
1 x 19.7030.010.00
(109)







1 x 19.7040.040.00
(109)



1 x 48.5680.122.00
1 x 48.5680.126.00
(109)

INFO Finishes

			
stainless steel design Art.no. ...19	silver matt anodized Art.no. ...46	chrome design Art.no. ...48	anthracite design Art.no. ...26

INFO Mounting

	Lining tool "Roller" Art.no. 91.2902.000.00 (107)
-------------------------------------------------------------------------------------	------------------------------------------------------

INFO optional

	Bonding tape Art.no. 91.2810... (107)
-------------------------------------------------------------------------------------	------------------------------------------

For further details visit: www.g-fittings.com

Partition wall - 4102



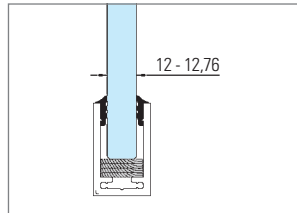
L 5000 mm

Glass 12 / 12,7 / 16,7 / 17,5 mm

3

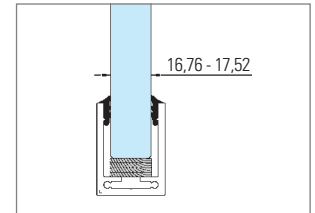
Glass 12 / 12,7 mm

Art.no. 29.4102.012...

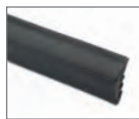


Glass 16,7 / 17,5 mm

Art.no. 29.4102.016...



1 x 49.0900.425...
(106)



2 x 19.7030.010.00
(107)



1 x 19.7040.042.00
(107)



1 x 48.5680.182.00
(107)



1 x 49.0900.403...
(106)



2 x 19.7030.010.00
(107)



1 x 19.7040.043.00
(107)



1 x 48.5680.182.00
(107)

INFO Finishes

			
stainless steel design Art.no. ...19	silver matt anodized Art.no. ...46	anthracite design Art.no. ...26	raw Art.no. ...00

INFO optional

 Centering-coupling pin
Art.no. 93.1010.330.00 (107)

INFO Mounting

 Lining tool "Roller"
Art.no. 91.2902.000.00 (287)

INFO optional

 Bonding tape
Art.no. 91.2810... (107)

For further details visit: www.g-fittings.com

Partition wall - 4101



L 5000 mm

Glass 8 / 8,7 / 10 / 10,7 / 12 / 12,7 / 15 / 16,7 / 17,5 mm

3

Glass 8 / 8,7 mm

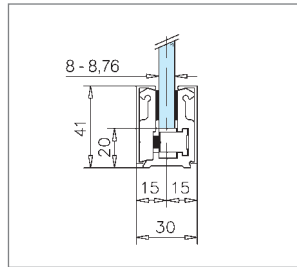
Art.no. 29.4101.108...



1 x 40.4208.500...
(104)



1 x 40.4200.010...
(105)



Glass 15 mm

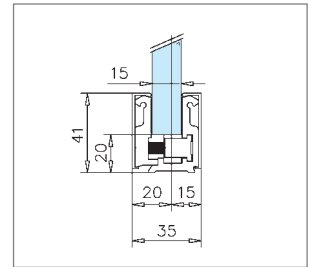
Art.no. 29.4101.115...



1 x 40.4215.500...
(104)



1 x 40.4200.015...
(105)



Glass 10 / 10,7 mm

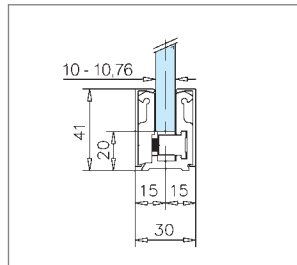
Art.no. 29.4101.110...



1 x 40.4210.500...
(104)



1 x 40.4200.010...
(105)



Glass 16,7 / 17,5 mm

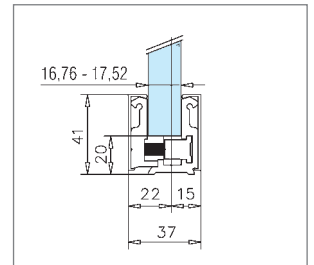
Art.no. 29.4101.118...



1 x 40.4218.500...
(104)



1 x 40.4200.018...
(105)



Glass 12 / 12,7 mm

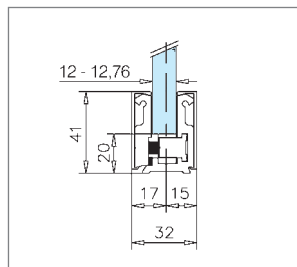
Art.no. 29.4101.112...



1 x 40.4212.500...
(104)



1 x 40.4200.012...
(105)



INFO Finishes



stainless steel design

Art.no. ...19



silver matt anodized

Art.no. ...46



anthracite design

Art.no. ...26

For further details visit: www.g-fittings.com

Partition wall - 4101

Glass 8 / 8,7 mm

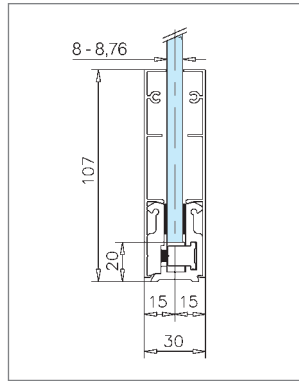
Art.no. 29.4101.208...



1 x 40.4308.500...
(■ 104)



1 x 40.4300.010...
(■ 105)



Glass 12 / 12,7 mm

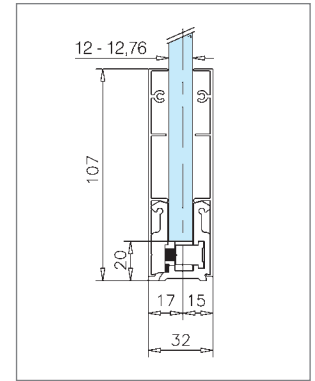
Art.no. 29.4101.212...



1 x 40.4312.500...
(■ 104)

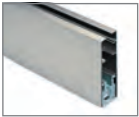


1 x 40.4300.012...
(■ 105)



Glass 10 / 10,7 mm

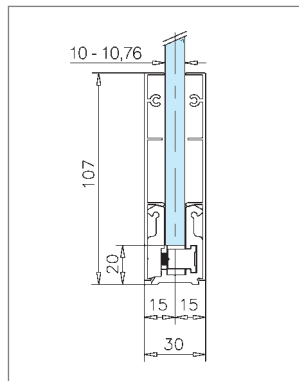
Art.no. 29.4101.210...



1 x 40.4310.500...
(■ 104)



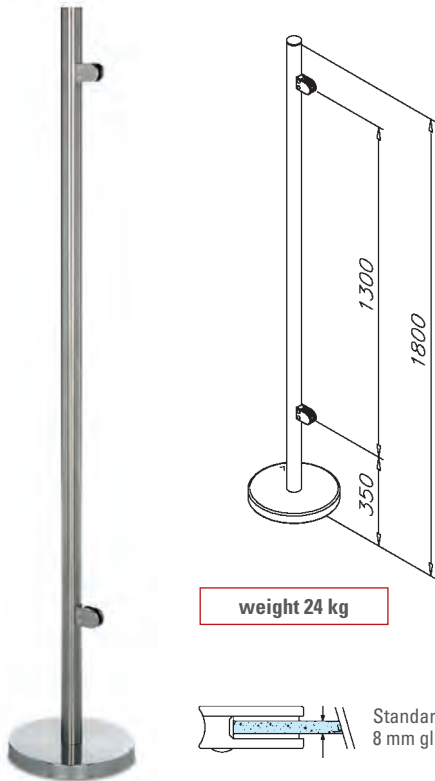
1 x 40.4300.010...
(■ 105)



INFO Finishes



Partition wall post - 810



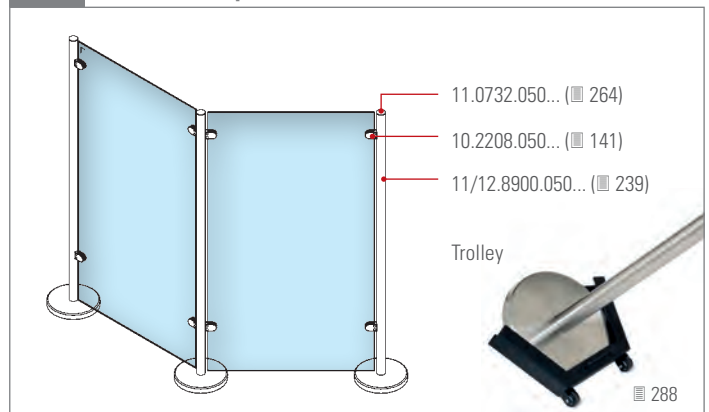
Ø Art.no.

	50,8 mm (2")	20.8101.050...
	50,8 mm (2")	20.8102.050...
	50,8 mm (2")	20.8103.050...
	50,8 mm (2")	20.8104.050...
	50,8 mm (2")	20.8105.050...

INFO Finishes

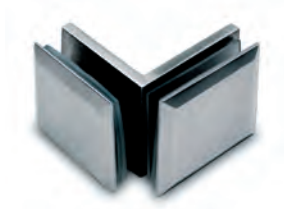


INFO Partition wall post - 810



- ⇨ production according to order
- ⇨ other dimensions possible

Glass clamp - 4012 / 090

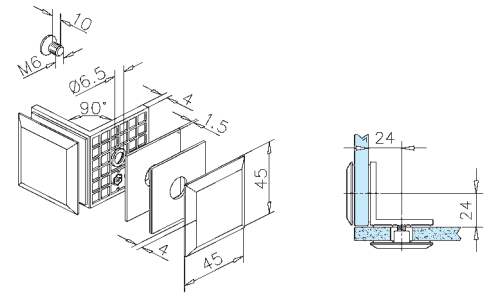


glass/glass

Stainless steel design

Chrome design

Art.no.	Art.no.	glass
40.4012.090.12	40.4012.090.10	8 - 12 mm



Glass clamp - 4012 / 135

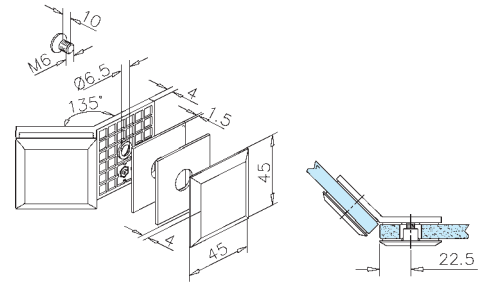


glass/glass

Stainless steel design

Chrome design

Art.no.	Art.no.	glass
40.4012.135.12	40.4012.135.10	8 - 12 mm



Glass clamp - 4012 / 180

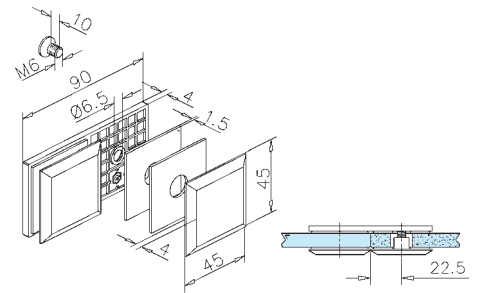


glass/glass

Stainless steel design

Chrome design

Art.no.	Art.no.	glass
40.4012.180.12	40.4012.180.10	8 - 12 mm



Glass clamp - 4112

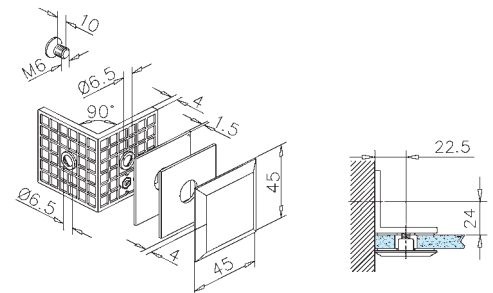


glass/wall

Stainless steel design

Chrome design

Art.no.	Art.no.	glass
40.4112.090.12	40.4112.090.10	8 - 12 mm



Glass clamp T - 4113

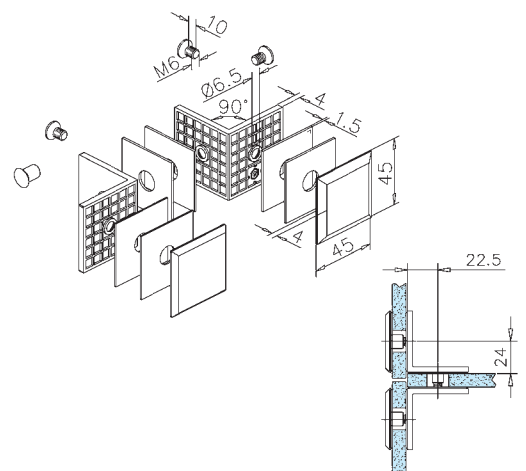


glass/glass/glass

Stainless steel design

Chrome design

Art.no.	Art.no.	glass
40.4113.090.12	40.4113.090.10	8 - 12 mm



Glass clamp - 4115



glass/wall

Stainless steel design

Art.no. 40.4115.090.12

Chrome design

Art.no. 40.4115.090.10

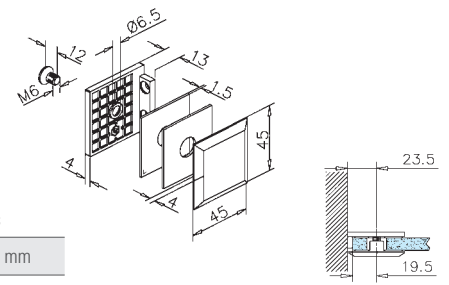
NEW

Anthracite design

Art.no. 40.4115.090.26

glass

8 - 12 mm



Glass clamp - 0101 / 090



glass/glass

Stainless steel design

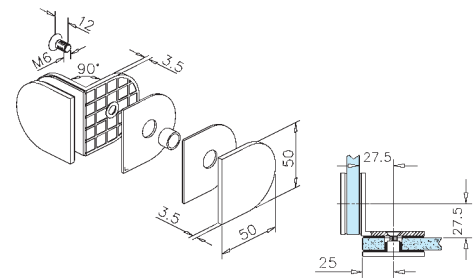
Art.no. 40.0101.090.12

Chrome design

Art.no. 40.0101.090.10

glass

8 - 10 mm



Glass clamp - 0101 / 135



glass/glass

Stainless steel design

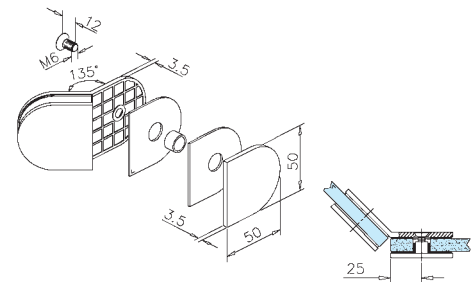
Art.no. 40.0101.135.12

Chrome design

Art.no. 40.0101.135.10

glass

8 - 10 mm



Glass clamp - 0102



glass/wall

Stainless steel design

Art.no. 40.0102.090.12

Chrome design

Art.no. 40.0102.090.10

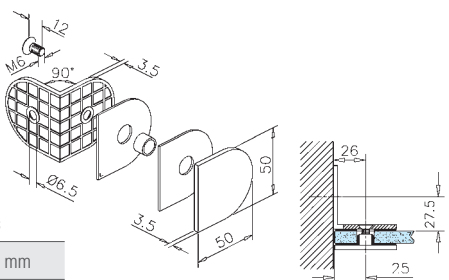
NEW

Anthracite design

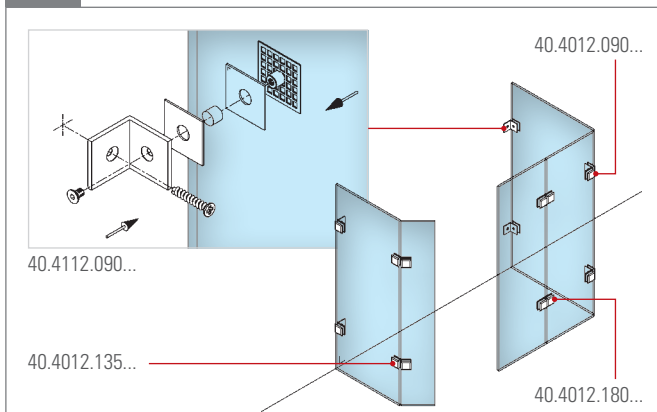
Art.no. 40.0102.090.26

glass

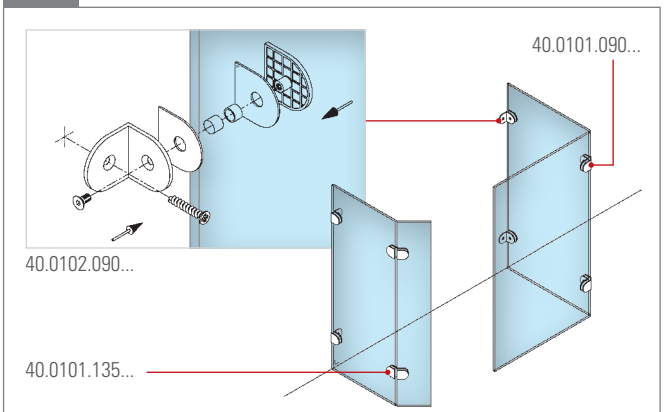
8 - 10 mm



INFO 40.4012...



INFO 40.0101...



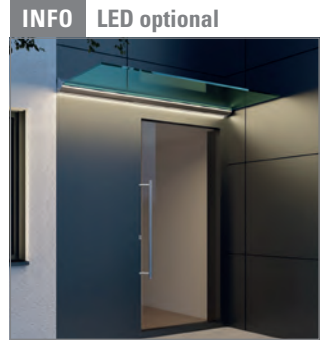
NEW

Glass canopy - 2051 / 2052



Silver matt anodized

- Outreach max. 1300 mm
- Lengths 1750 / 2500 / 5000 mm
- Load capacity 1,5 kN / m²
- Glass 17,52 / 21,52 mm

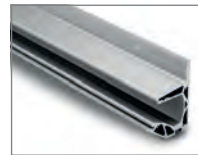
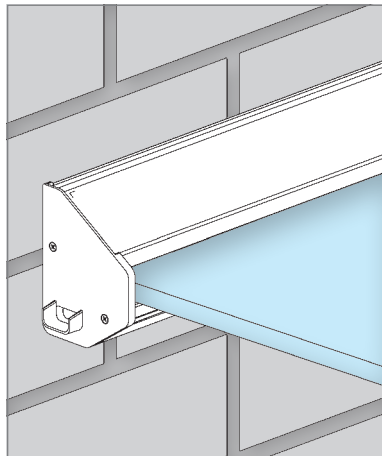


Glass 17,52 mm

L	Art.no.
1750 mm	29.2051.175.46
2500 mm	29.2051.250.46
5000 mm	29.2051.500.46

Glass 21,52 mm

L	Art.no.
1750 mm	29.2052.175.46
2500 mm	29.2052.250.46
5000 mm	29.2052.500.46



1 x 44.1200...



1 x 44.1201...



1 x 44.1202...



1 x 44.1210...



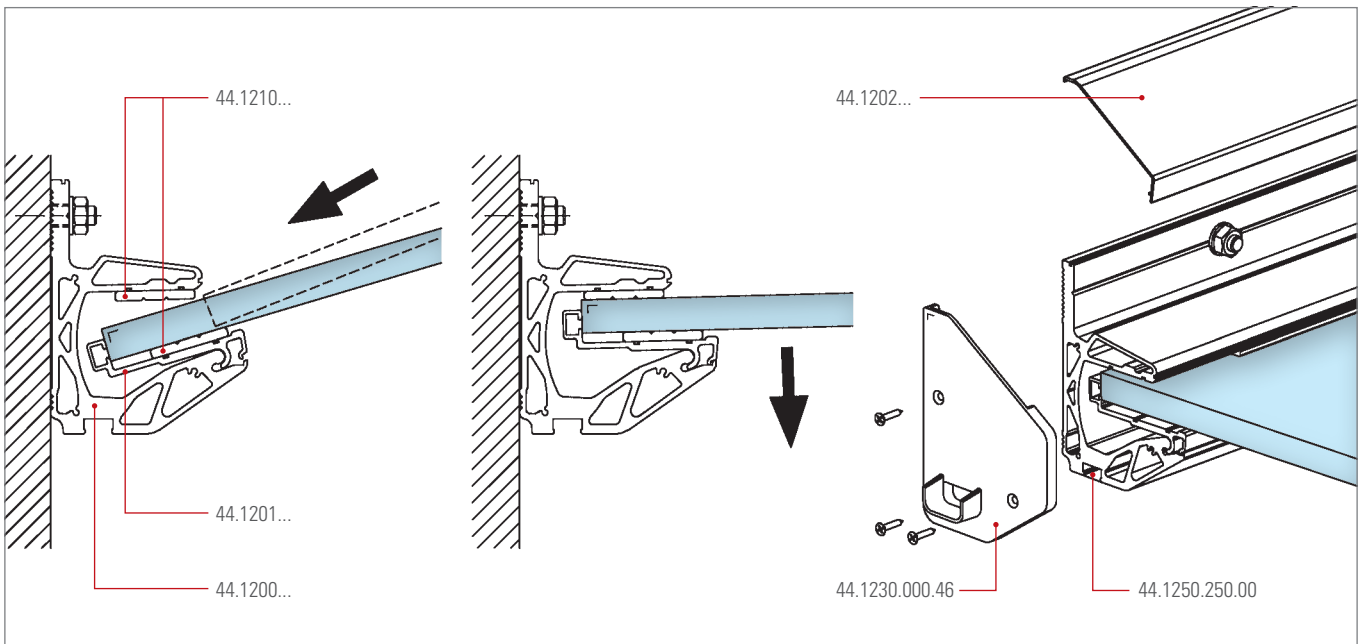
1/2 x 44.1250.250.00



1 x 44.1220.000.46

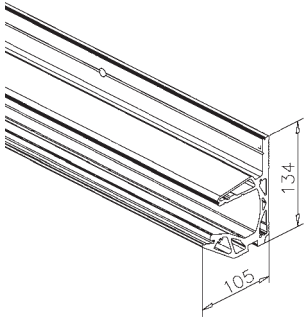


1 x 44.1230.000.46



For further details visit: www.g-fittings.com

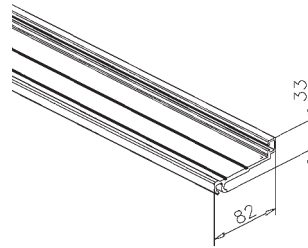
Canopy base profile - 1200



Aluminium, silver matt anodized

Art.no.	L
44.1200.500.46	5000 mm
44.1200.250.46	2500 mm
44.1200.999.46	cutted

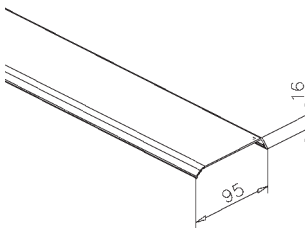
Canopy support profile - 1201



Aluminium, silver matt anodized

Art.no.	L
44.1201.500.46	5000 mm
44.1201.250.46	2500 mm
44.1201.999.46	cutted

Canopy cover profile - 1202

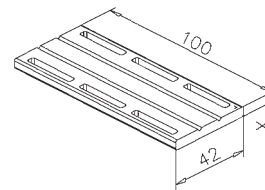


Aluminium, silver matt anodized

Art.no.	L
44.1202.500.46	5000 mm
44.1202.250.46	2500 mm
44.1202.999.46	cutted

Supports - 1210

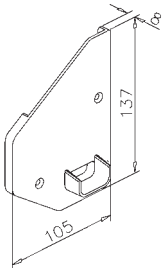
8 pieces



Plastic

Art.no.	x	glass
44.1210.208.00	5	17,52 mm
44.1210.210.00	3	21,52 mm

End cap - 1220

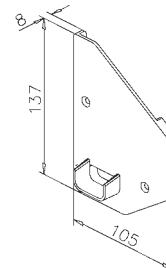


right, for 44.1200...

Plastic, silver matt

Art.no.
44.1220.000.46

End cap - 1230

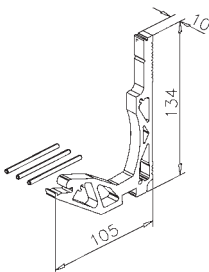


left, for 44.1200...

Plastic, silver matt

Art.no.
44.1230.000.46

Connector - 1240

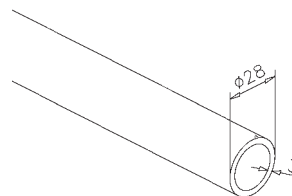


for 44.1200...

Aluminium, silver matt anodized

Art.no.
44.1240.000.46

Spacer tube - 1299

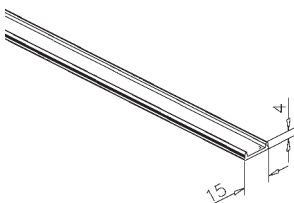


for external wall insulation

Stainless steel

Art.no.	L
44.1299.028.00	1500 mm

Diffusor profile - 1250

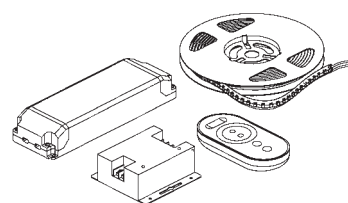


for 44.1200...

Plastic, white

Art.no.	L
44.1250.250.00	2500 mm

LED flexible strip-set - 2050



L 5000 mm (24 V)

Art.no.	Colour
19.2050.000.01	white (9,6 W)
19.2050.000.03	RGB (14,4 W)

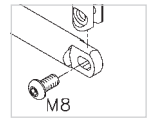
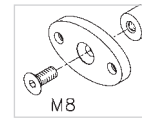
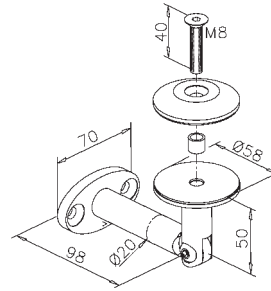
Marquee point mounting - 201



glass/wall fixation

Stainless steel design

Art.no.	glass
44.0201.010.12	10 - 17,52 mm



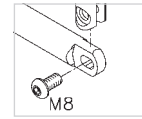
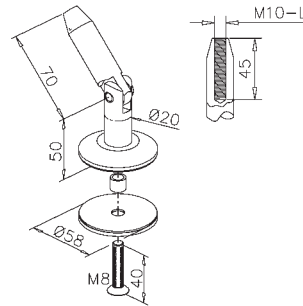
Marquee point mounting - 202



glass connector

Stainless steel design

Art.no.	glass
44.0202.010.12	10 - 17,52 mm



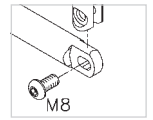
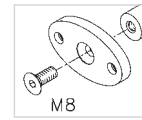
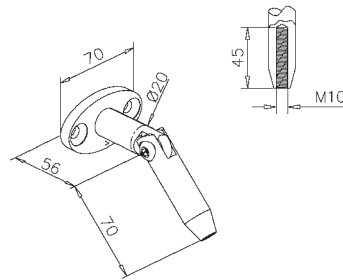
Marquee point mounting - 203



wall connector

Stainless steel design

Art.no.	glass
44.0203.010.12	

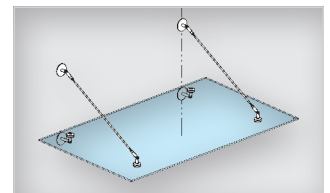
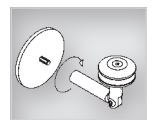
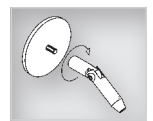
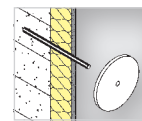
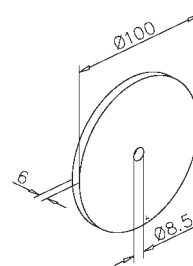


Wall mounting plate - 280



Stainless steel design

Art.no.	glass
44.0280.100.12	



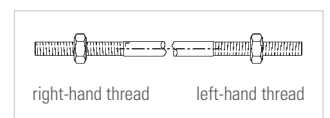
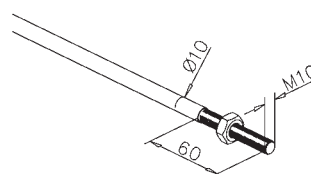
Rod - 299



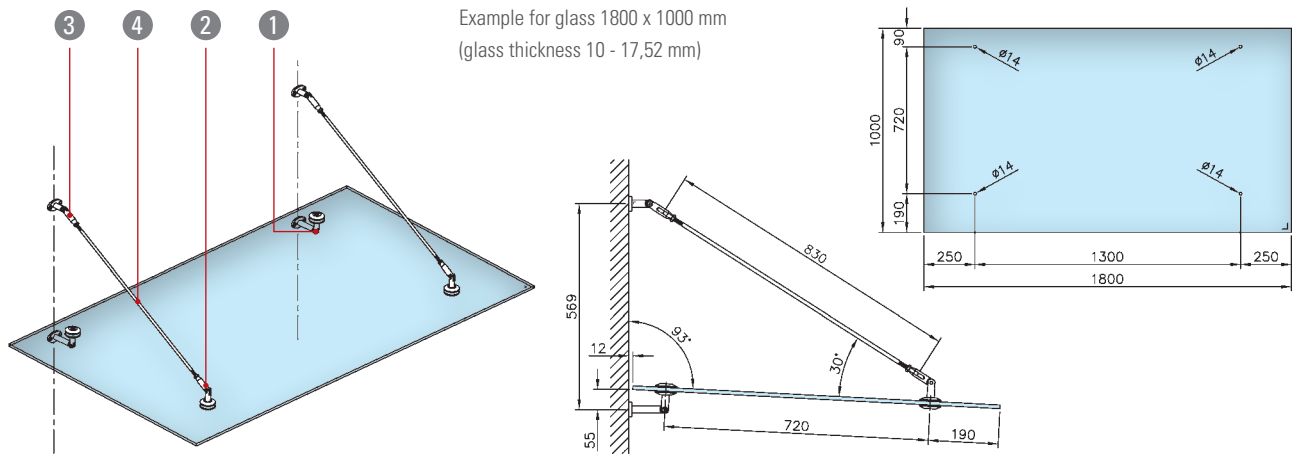
with thread M10, left/right

Stainless steel design

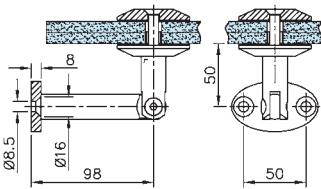
Art.no.	L
44.0282.010.12	830 mm
44.0299.010.12	cutted



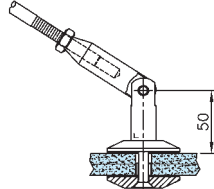
INFO 44.0201...



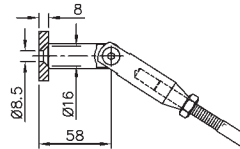
1 44.0201.010.12



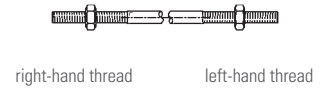
2 44.0202.010.12



3 44.0203.010.12



4 44.0282.010.12



Glass-marquee - 2010



Stainless steel design

Art.no.

29.2010.010.12

INFO Products



2 x 44.0201.010.12



2 x 44.0202.010.12



2 x 44.0203.010.12



2 x 44.0282.010.12

Glass-marquee - 300



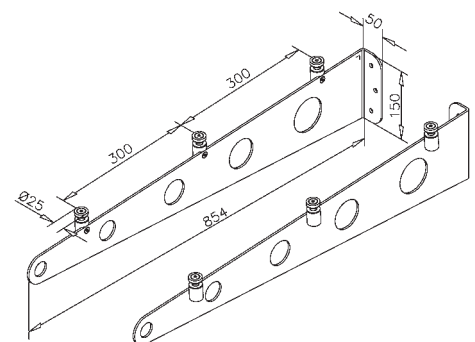
Stainless steel design

Art.no.

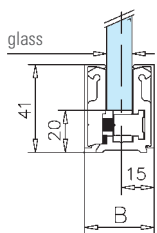
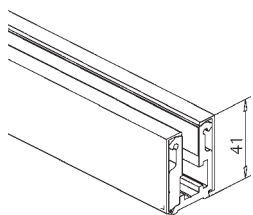
44.0300.000.12

glass

12 - 17,52 mm



Glass plate profile - 4200



Aluminium

glass	B	L	Art.no.
8 - 8,76 mm	30 mm	5000 mm	40.4208.500...
8 - 8,76 mm	30 mm	2500 mm	40.4208.250...
8 - 8,76 mm	30 mm	cutted	40.4208.000...
10 - 10,76 mm	30 mm	5000 mm	40.4210.500...
10 - 10,76 mm	30 mm	2500 mm	40.4210.250...
10 - 10,76 mm	30 mm	cutted	40.4210.000...
12 - 12,76 mm	32 mm	5000 mm	40.4212.500...
12 - 12,76 mm	32 mm	2500 mm	40.4212.250...
12 - 12,76 mm	32 mm	cutted	40.4212.000...
15 mm	35 mm	5000 mm	40.4215.500...
15 mm	35 mm	2500 mm	40.4215.250...
15 mm	35 mm	cutted	40.4215.000...
16,76 - 17,52 mm	37 mm	5000 mm	40.4218.500...
16,76 - 17,52 mm	37 mm	2500 mm	40.4218.250...
16,76 - 17,52 mm	37 mm	cutted	40.4218.000...

INFO Finishes



stainless steel design

Art.no. ...19



silver matt anodized

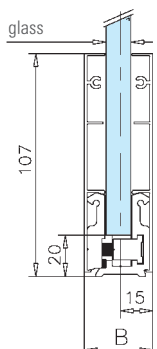
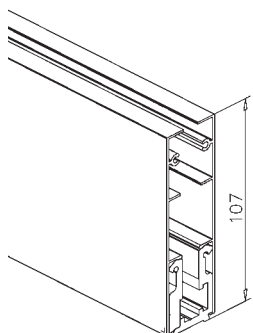
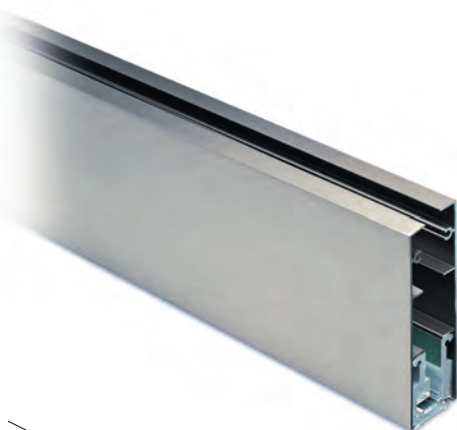
Art.no. ...46



anthracite design

Art.no. ...26

Glass plate profile - 4300



Aluminium

glass	B	L	Art.no.
8 - 8,76 mm	30 mm	5000 mm	40.4308.500...
8 - 8,76 mm	30 mm	2500 mm	40.4308.250...
8 - 8,76 mm	30 mm	cutted	40.4308.000...
10 - 10,76 mm	30 mm	5000 mm	40.4310.500...
10 - 10,76 mm	30 mm	2500 mm	40.4310.250...
10 - 10,76 mm	30 mm	cutted	40.4310.000...
12 - 12,76 mm	32 mm	5000 mm	40.4312.500...
12 - 12,76 mm	32 mm	2500 mm	40.4312.250...
12 - 12,76 mm	32 mm	cutted	40.4312.000...

INFO Finishes



stainless steel design

Art.no. ...19

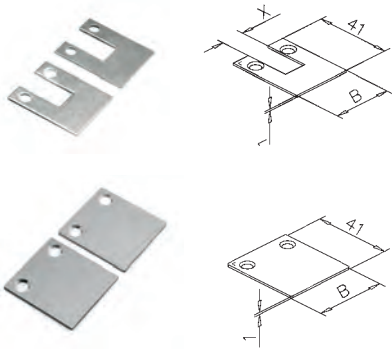


silver matt anodized

Art.no. ...46

End caps - 4200 (pair)

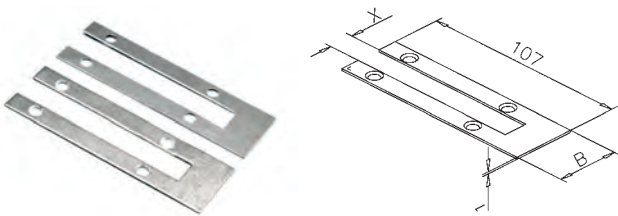
for art.no. 40.42 ... (H 41 mm)



glass (X)	B	Aluminium stainless steel design	Aluminium silver matt anodized	Aluminium anthracite design
		Art.no.	Art.no.	Art.no.
8 - 10,76 mm	30 mm	40.4200.010.19	40.4200.010.46	40.4200.010.26
12 - 12,76 mm	32 mm	40.4200.012.19	40.4200.012.46	40.4200.012.26
15 mm	35 mm	40.4200.015.19	40.4200.015.46	40.4200.015.26
16,76 - 17,52 mm	37 mm	40.4200.018.19	40.4200.018.46	40.4200.018.26

End caps - 4300 (pair)

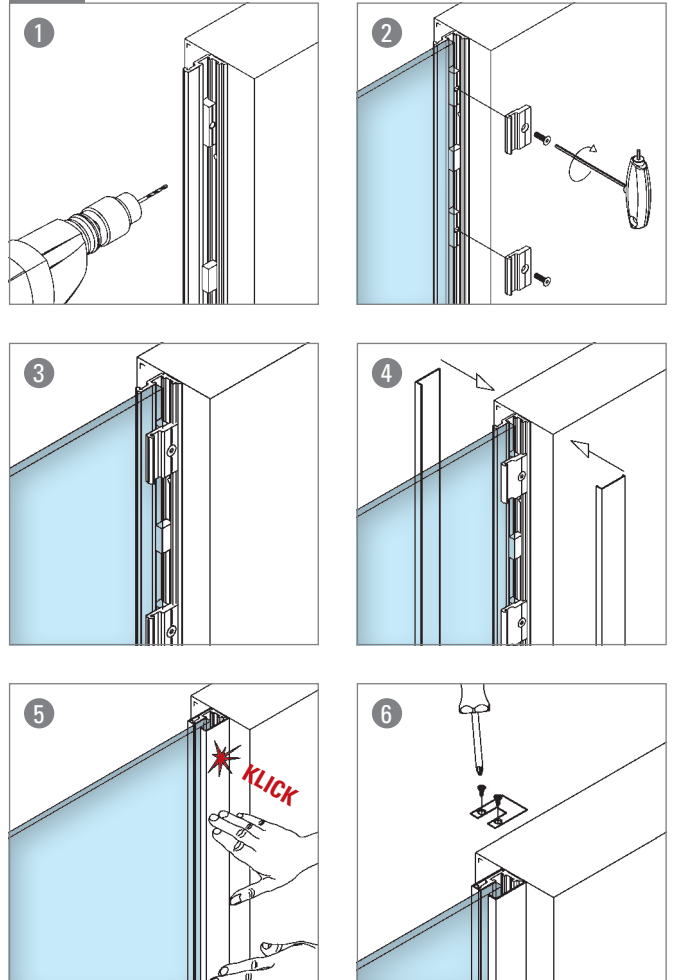
for art.no. 40.43 ... (H 107 mm)



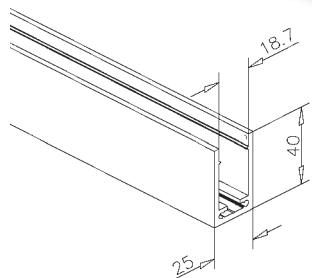
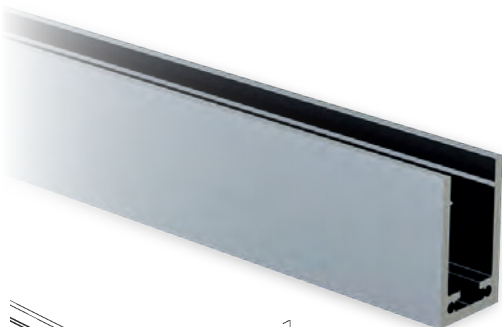
glass (X)	B	Aluminium stainless steel design	Aluminium silver matt anodized
		Art.no.	Art.no.
8 - 10,76 mm	30 mm	40.4300.010.19	40.4300.010.46
12 - 12,76 mm	32 mm	40.4300.012.19	40.4300.012.46



INFO Glass plate profile



U-channel profile - 40 x 25 x 40



Aluminium

U	L	Art.no.
40 x 25 x 40 mm	5000 mm	49.0900.425...
40 x 25 x 40 mm	2500 mm	49.8925.425...
40 x 25 x 40 mm	cutted	49.8900.425...

INFO Finishes



stainless steel design

Art.no. ...19



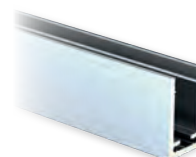
silver matt anodized

Art.no. ...46



anthracite design

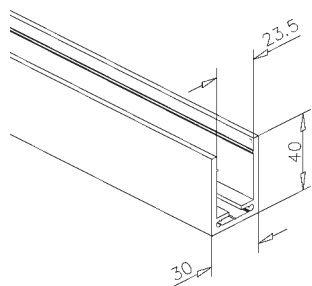
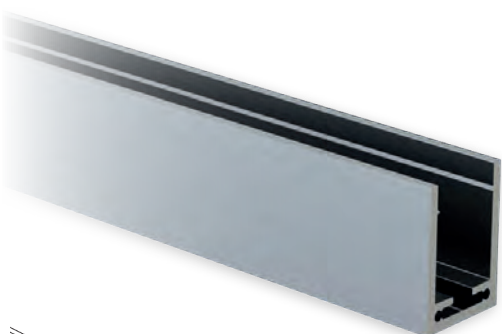
Art.no. ...26



raw

Art.no. ...00

U-channel profile - 40 x 30 x 40



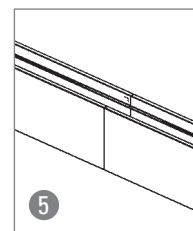
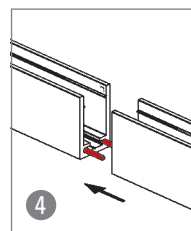
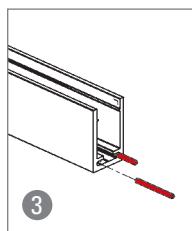
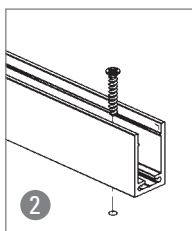
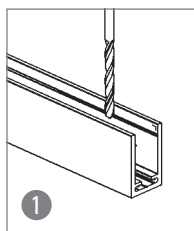
Aluminium

U	L	Art.no.
40 x 30 x 40 mm	5000 mm	49.0900.403...
40 x 30 x 40 mm	2500 mm	49.8925.403...
40 x 30 x 40 mm	cutted	49.8900.403...

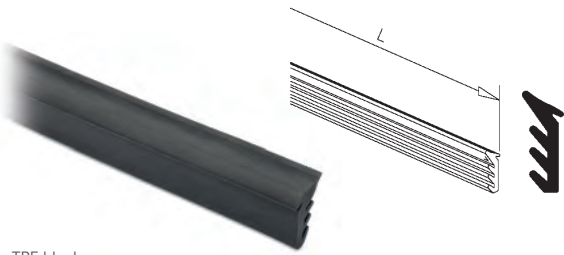
INFO optional



Centering-coupling pin
Art.no.
93.1010.330.00



Glass gasket profile - 7030



TPE black

Art.no.	glass	L
19.7030.010.00	12 - 12,76 / 16,76 - 17,52 mm	5 m
19.7030.510.00	12 - 12,76 / 16,76 - 17,52 mm	50 m

End cap - 7040



ABS black, 10 pieces

Art.no.	H	X
19.7040.042.00	40 mm	25 mm
19.7040.043.00	40 mm	30 mm

Mountingspacer - 5680



100 pieces

Art.no.	
48.5680.182.00	80 x 16 x 2 mm

Centering-coupling pin - 1010



steel, 10 pieces

Art.no.	
93.1010.330.00	3 x 30 mm

Bonding tape - 2810



for glass walls

Art.no.	glass	B	L
91.2810.006.00	8 - 8,76 mm	6 mm	12 m
91.2810.007.00	10 - 10,76 mm	7 mm	12 m
91.2810.009.00	12 - 12,76 mm	9 mm	12 m
91.2810.013.00	16,76 - 17,52 mm	13 mm	12 m

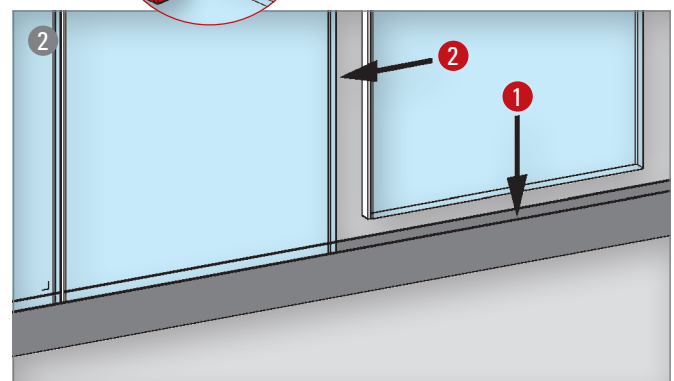
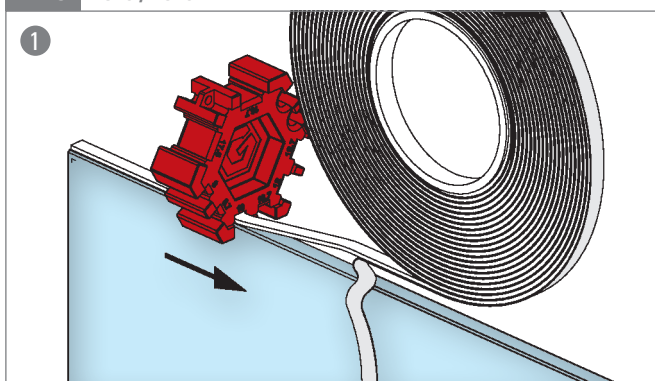
Applicator - 2910



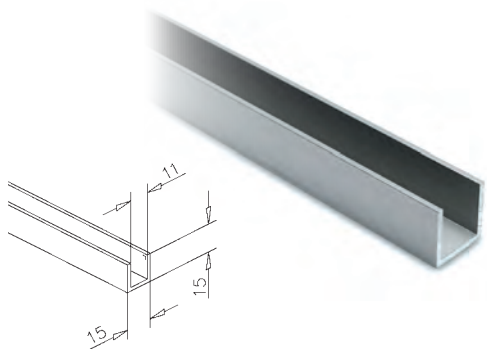
for bonding tape

Art.no.
91.2910.000.00

INFO 2810 / 2910



U-channel profile - 15 x 15 x 15



Aluminium

U	L	Art.no.
15 x 15 x 15 mm	5000 mm	49.0900.151...
15 x 15 x 15 mm	2500 mm	49.8925.151...
15 x 15 x 15 mm	cutted	49.8900.151...

INFO Finishes



stainless steel design

Art.no. ...19



silver matt anodized

Art.no. ...46



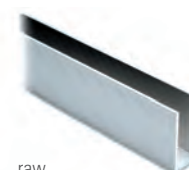
chrome design

Art.no. ...48



anthracite design

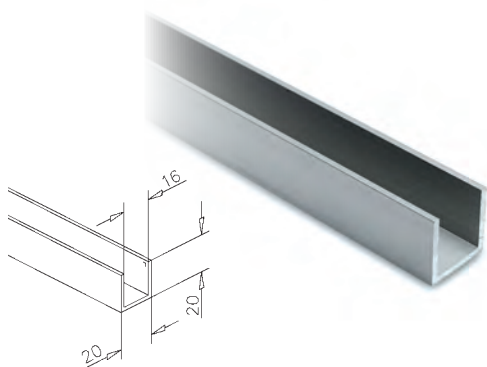
Art.no. ...26



raw

Art.no. ...00

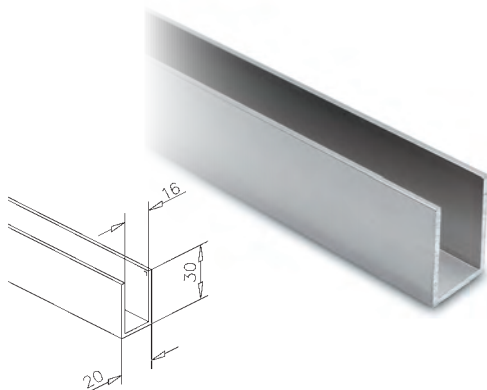
U-channel profile - 20 x 20 x 20



Aluminium

U	L	Art.no.
20 x 20 x 20 mm	5000 mm	49.0900.202...
20 x 20 x 20 mm	2500 mm	49.8925.202...
20 x 20 x 20 mm	cutted	49.8900.202...

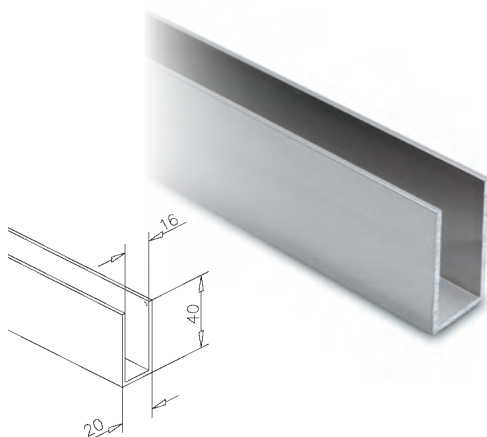
U-channel profile - 30 x 20 x 30



Aluminium

U	L	Art.no.
30 x 20 x 30 mm	5000 mm	49.0900.302...
30 x 20 x 30 mm	2500 mm	49.8925.302...
30 x 20 x 30 mm	cutted	49.8900.302...

U-channel profile - 40 x 20 x 40



Aluminium

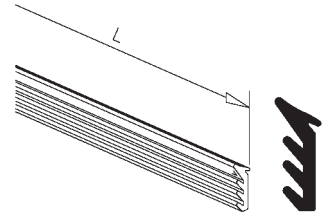
U	L	Art.no.
40 x 20 x 40 mm	5000 mm	49.0900.402...
40 x 20 x 40 mm	2500 mm	49.8925.402...
40 x 20 x 40 mm	cutted	49.8900.402...

Glass gasket profile - 7030

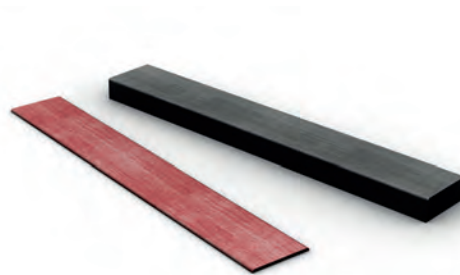


TPE black

Art.no.	glass	L
19.7030.008.00	8 - 8,76 mm	5 m
19.7030.010.00	10 - 10,76 mm	5 m
19.7030.508.00	8 - 8,76 mm	50 m
19.7030.510.00	10 - 10,76 mm	50 m



Mountingspacer - 5680



100 pieces

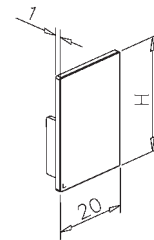
Art.no.	Dimensions
48.5680.122.00	80 x 12 x 2 mm
48.5680.126.00	80 x 12 x 6 mm

End cap - 7040

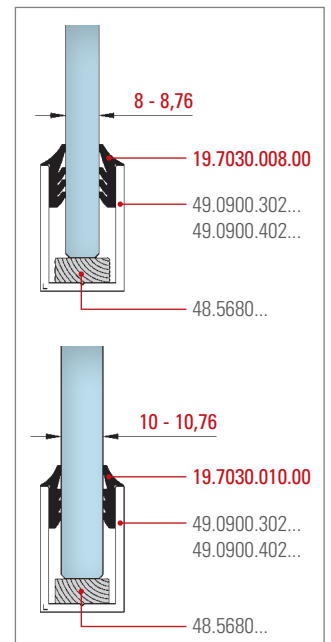
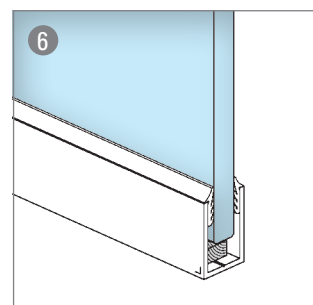
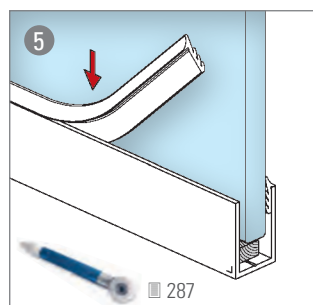
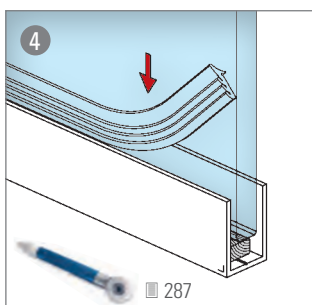
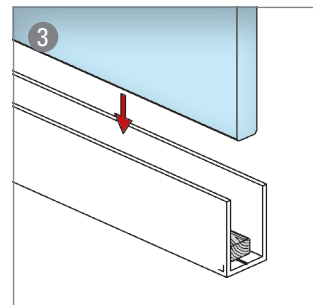
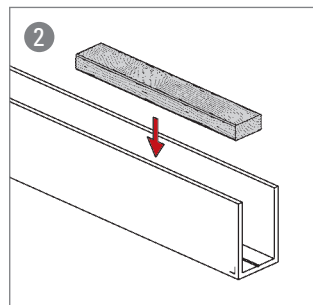
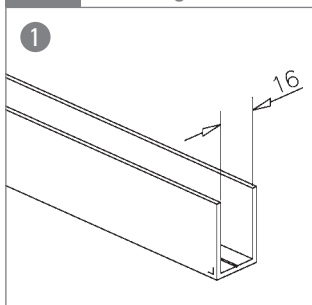


ABS black, 10 pieces

Art.no.	H
19.7040.030.00	30 mm
19.7040.040.00	40 mm



INFO Mounting





4

Posts, brackets and clamps



4 Posts 112



4 Handrails 124



4 Brackets 128



4 Glass clamp systems 138




4 Glass supports 149



4 Glass adapters 152

Posts - round, 90°

 ⇨ production according to order
⇨ other dimensions possible



Ø 25,4 mm / Ø 38,1 mm

INFO standard

A

11.0500...
(■ 257)

INFO optional

B

11.0504... (■ 259)

C

11/12.0512... (■ 259)






18.0106... (■ 269)

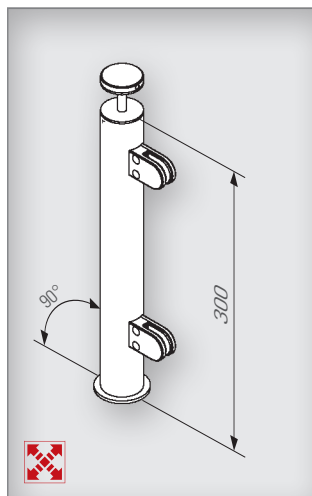
INFO optional

Toughened glass / Laminated glass

(■ 273)

Model 110

	Ø	Art.no.
	25,4 mm (1")	20.1101.025...
	38,1 mm (1,5")	20.1101.038...
	25,4 mm (1")	20.1102.025...
	38,1 mm (1,5")	20.1102.038...
	25,4 mm (1")	20.1103.025...
	38,1 mm (1,5")	20.1103.038...
	25,4 mm (1")	20.1104.025...
	38,1 mm (1,5")	20.1104.038...
	25,4 mm (1")	20.1105.025...
	38,1 mm (1,5")	20.1105.038...

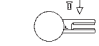






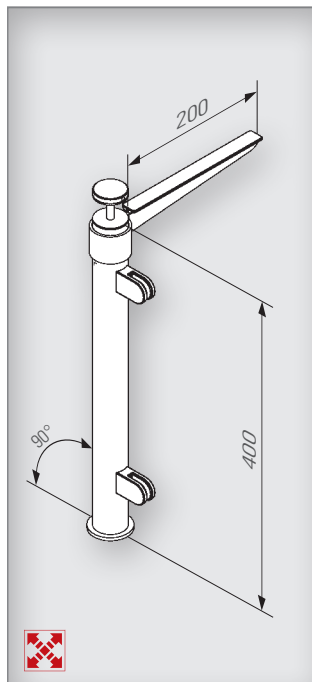
			
1 x 11.0731... (■ 266)	2 (4) x 10.2708... (■ 145)	1 x 11.0500... (■ 257)	1 x 11/12.8900... (■ 239)
1 x 18.0104... (■ 269)			

INFO Finishes

			
Stainless steel design Art.no. ...20	Chrome design Art.no. ...23	Brass design Art.no. ...22	Anthracite design Art.no. ...26

Model 111

	Ø	Art.no.
	25,4 mm (1")	20.1111.025...
	38,1 mm (1,5")	20.1111.038...
	25,4 mm (1")	20.1112.025...
	38,1 mm (1,5")	20.1112.038...
	25,4 mm (1")	20.1113.025...
	38,1 mm (1,5")	20.1113.038...
	25,4 mm (1")	20.1114.025...
	38,1 mm (1,5")	20.1114.038...
	25,4 mm (1")	20.1115.025...
	38,1 mm (1,5")	20.1115.038...




			
1 x 11.0731... (■ 266)	2 (4) x 10.2708... (■ 145)	1 x 11.0500... (■ 257)	1 x 11.0741... (■ 187)
1 x 18.0104... (■ 269)			




1 x 11/12.8900...
(■ 239)

INFO Finishes

			
Stainless steel design Art.no. ...20	Chrome design Art.no. ...23	Brass design Art.no. ...22	Anthracite design Art.no. ...26

Posts - round, 90°

 ⇨ production according to order
⇨ other dimensions possible



Ø 25,4 mm / Ø 38,1 mm

INFO standard

A

11.0500...
(■ 257)

INFO optional

B

11.0504...
(■ 259)

C

11/12.0512...
(■ 259)

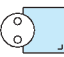
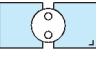
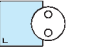
18.0106...
(■ 269)

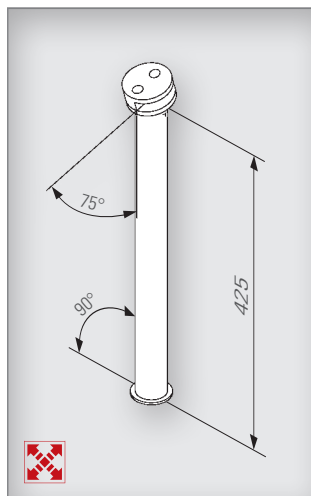
INFO optional

Toughened glass / Laminated glass

(■ 273)

Model 190

	Ø	Art.no.
	38,1 mm (1,5")	20.1901.038...
	38,1 mm (1,5")	20.1902.038...
	38,1 mm (1,5")	20.1903.038...

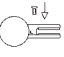
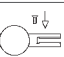


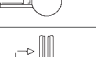







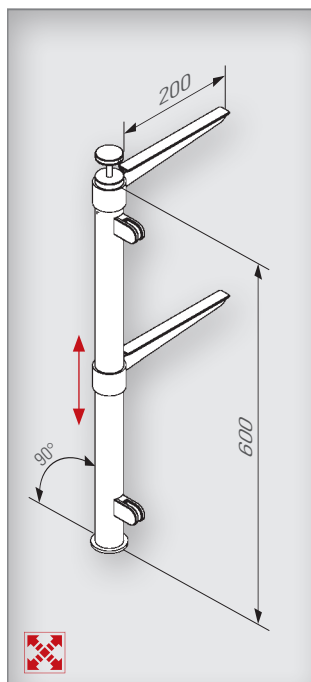
			
1 x 14.4408.000... (■ 147)	1 x 14.4608.000... (■ 147)	1 x 11.0500.038... (■ 257)	1 x 11/12.8900.038... (■ 239)

INFO Finishes

	
Stainless steel design Art.no. ...20	Anthracite design Art.no. ...26

Model 112

	Ø	Art.no.
	25,4 mm (1")	20.1121.025...
	38,1 mm (1,5")	20.1121.038...
	25,4 mm (1")	20.1122.025...
	38,1 mm (1,5")	20.1122.038...
	25,4 mm (1")	20.1123.025...
	38,1 mm (1,5")	20.1123.038...
	25,4 mm (1")	20.1124.025...
	38,1 mm (1,5")	20.1124.038...
	25,4 mm (1")	20.1125.025...
	38,1 mm (1,5")	20.1125.038...




			
1 x 11.0731... (■ 266)	2 (4) x 10.2708... (■ 145)	1 x 11.0500... (■ 257)	2 x 11.0741... (■ 187)
1 x 18.0104... (■ 269)			
			
1 x 11/12.8900... (■ 239)			

INFO Finishes

			
Stainless steel design Art.no. ...20	Chrome design Art.no. ...23	Brass design Art.no. ...22	Anthracite design Art.no. ...26

Posts - round, 90°

 ⇨ production according to order
⇨ other dimensions possible



Ø 25,4 mm / Ø 38,1 mm

INFO standard

A

11.0500...
(■ 257)

INFO optional

B

11.0504...
(■ 259)

C

11/12.0512...
(■ 259)

18.0106...
(■ 269)

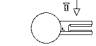






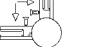


NEW

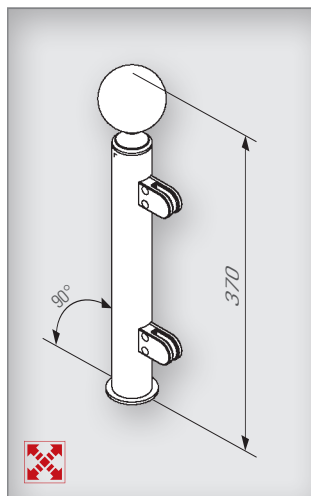
INFO optional

Toughened glass / Laminated glass

(■ 273)

Model 140

	Ø	Art.no.
	25,4 mm (1")	20.1401.025...
	38,1 mm (1,5")	20.1401.038...
	25,4 mm (1")	20.1402.025...
	38,1 mm (1,5")	20.1402.038...
	25,4 mm (1")	20.1403.025...
	38,1 mm (1,5")	20.1403.038...
	25,4 mm (1")	20.1404.025...
	38,1 mm (1,5")	20.1404.038...
	25,4 mm (1")	20.1405.025...
	38,1 mm (1,5")	20.1405.038...









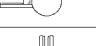



			
1 x 11.0212... (■ 267)	2 (4) x 10.2708... (■ 145)	1 x 11.0500... (■ 257)	1 x 11/12.8900... (■ 239)

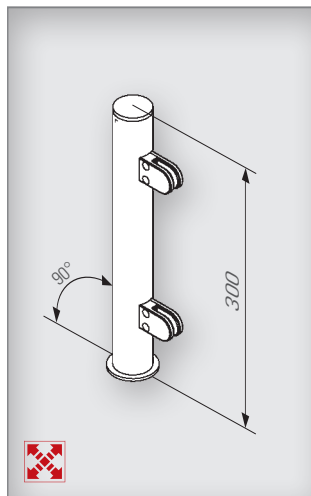
INFO Finishes

			
Stainless steel design Art.no. ...20	Chrome design Art.no. ...23	Brass design Art.no. ...22	Anthracite design Art.no. ...26

Ø 38,1

Model 150

	Ø	Art.no.
	25,4 mm (1")	20.1501.025...
	38,1 mm (1,5")	20.1501.038...
	25,4 mm (1")	20.1502.025...
	38,1 mm (1,5")	20.1502.038...
	25,4 mm (1")	20.1503.025...
	38,1 mm (1,5")	20.1503.038...
	25,4 mm (1")	20.1504.025...
	38,1 mm (1,5")	20.1504.038...
	25,4 mm (1")	20.1505.025...
	38,1 mm (1,5")	20.1505.038...




			
1 x 11.0732... (■ 264)	2 (4) x 10.2708... (■ 145)	1 x 11.0500... (■ 257)	1 x 11/12.8900... (■ 239)

INFO Finishes

			
Stainless steel design Art.no. ...20	Chrome design Art.no. ...23	Brass design Art.no. ...22	Anthracite design Art.no. ...26

4

Posts - round, 90°

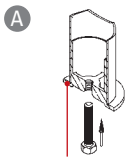
 ⇨ production according to order
⇨ other dimensions possible



Ø 25,4 mm / Ø 38,1 mm

INFO standard

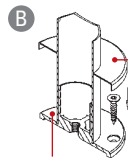
A



11.0500...
(■ 257)


INFO optional

B



11.0504...
(■ 259)

C



11/12.0512...
(■ 259)

18.0106...
(■ 269)

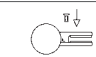




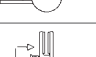




INFO optional

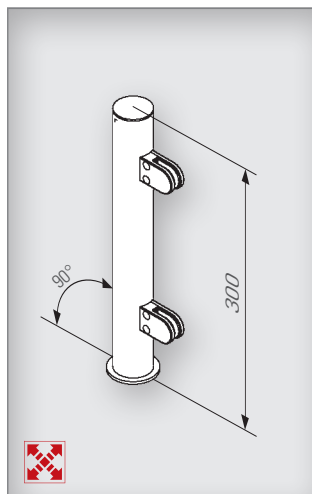
Toughened glass / Laminated glass



(■ 273)

Model 151

	Ø	Art.no.
	25,4 mm (1")	20.1511.025...
	38,1 mm (1,5")	20.1511.038...
	25,4 mm (1")	20.1512.025...
	38,1 mm (1,5")	20.1512.038...
	25,4 mm (1")	20.1513.025...
	38,1 mm (1,5")	20.1513.038...
	25,4 mm (1")	20.1514.025...
	38,1 mm (1,5")	20.1514.038...
	25,4 mm (1")	20.1515.025...
	38,1 mm (1,5")	20.1515.038...




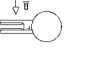

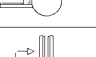
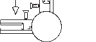





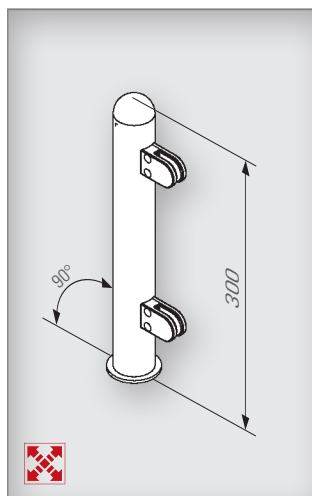
			
1 x 11.0729... (■ 264)	2 (4) x 10.2708... (■ 145)	1 x 11.0500... (■ 257)	1 x 11/12.8900... (■ 239)

INFO Finishes

			
Stainless steel design Art.no. ...20	Chrome design Art.no. ...23	Brass design Art.no. ...22	Anthracite design Art.no. ...26

Model 160

	Ø	Art.no.
	25,4 mm (1")	20.1601.025...
	38,1 mm (1,5")	20.1601.038...
	25,4 mm (1")	20.1602.025...
	38,1 mm (1,5")	20.1602.038...
	25,4 mm (1")	20.1603.025...
	38,1 mm (1,5")	20.1603.038...
	25,4 mm (1")	20.1604.025...
	38,1 mm (1,5")	20.1604.038...
	25,4 mm (1")	20.1605.025...
	38,1 mm (1,5")	20.1605.038...




			
1 x 11.0730... (■ 264)	2 (4) x 10.2708... (■ 145)	1 x 11.0500... (■ 257)	1 x 11/12.8900... (■ 239)

INFO Finishes

			
Stainless steel design Art.no. ...20	Chrome design Art.no. ...23	Brass design Art.no. ...22	Anthracite design Art.no. ...26

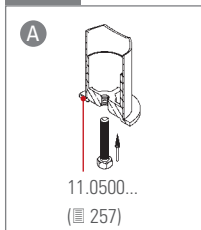
Posts - round, 90°

 ⇨ production according to order
⇨ other dimensions possible

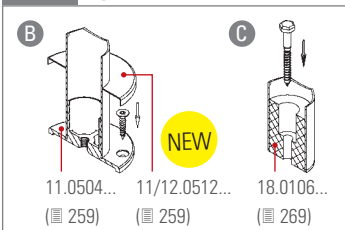


Ø 25,4 mm / Ø 38,1 mm

INFO standard



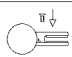

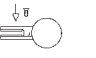

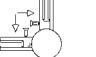
INFO optional

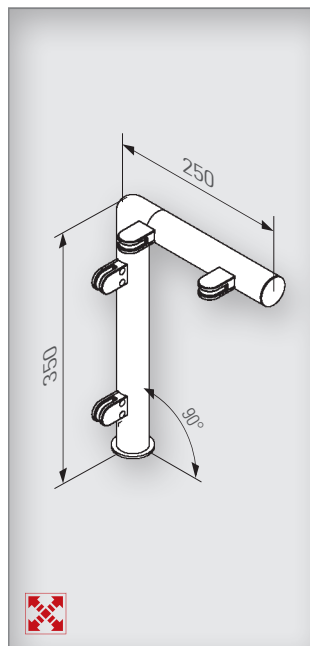


INFO optional



Model 130

	Ø	Art.no.
	25,4 mm (1")	20.1301.025...
	38,1 mm (1,5")	20.1301.038...
	25,4 mm (1")	20.1302.025...
	38,1 mm (1,5")	20.1302.038...
	25,4 mm (1")	20.1303.025...
	38,1 mm (1,5")	20.1303.038...
	25,4 mm (1")	20.1304.025...
	38,1 mm (1,5")	20.1304.038...
	25,4 mm (1")	20.1305.025...
	38,1 mm (1,5")	20.1305.038...



1 x 11.0729...
(■ 264)



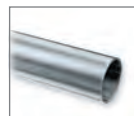
4 (8) x 10.2708...
(■ 145)



1 x 11.0500...
(■ 257)



1 x 11.0303...
(■ 251)




2 x 11/12.8900...
(■ 239)

INFO Finishes



Posts - round, 90°

 ⇨ production according to order
⇨ other dimensions possible



Ø 25,4 mm / Ø 38,1 mm

INFO standard

A

11.0500...
(■ 257)

INFO optional

B

11.0504... 11/12.0512...
(■ 259) (■ 259)

C











18.0106...
(■ 269)

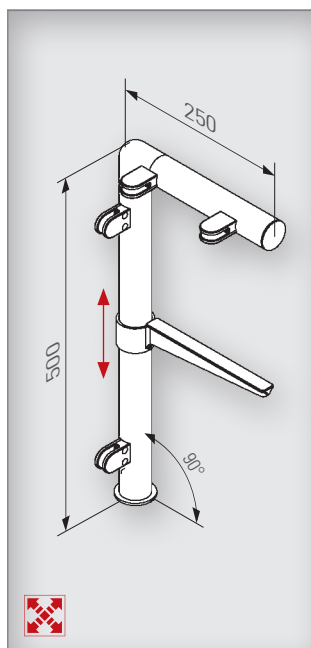
INFO optional

Toughened glass / Laminated glass

(■ 273)



Model 131

	Ø	Art.no.
	25,4 mm (1")	20.1311.025...
	38,1 mm (1,5")	20.1311.038...
	25,4 mm (1")	20.1312.025...
	38,1 mm (1,5")	20.1312.038...
	25,4 mm (1")	20.1313.025...
	38,1 mm (1,5")	20.1313.038...
	25,4 mm (1")	20.1314.025...
	38,1 mm (1,5")	20.1314.038...
	25,4 mm (1")	20.1315.025...
	38,1 mm (1,5")	20.1315.038...



			
1 x 11.0729... (■ 264)	4 (8) x 10.2708... (■ 145)	1 x 11.0500... (■ 257)	1 x 11.0303... (■ 251)
			
1 x 11.0741... (■ 187)	2 x 11/12.8900... (■ 239)		


INFO Finishes

			
Stainless steel design Art.no. ...20	Chrome design Art.no. ...23	Brass design Art.no. ...22	Anthracite design Art.no. ...26

INFO Glass dimension

Ø 25,4 mm: glass dimension = x - 49 mm
Ø 38,1 mm: glass dimension = x - 61 mm

Posts - round, 80°

 ⇨ production according to order
⇨ other dimensions possible



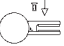
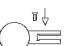

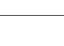


Ø 25,4 mm / Ø 38,1 mm

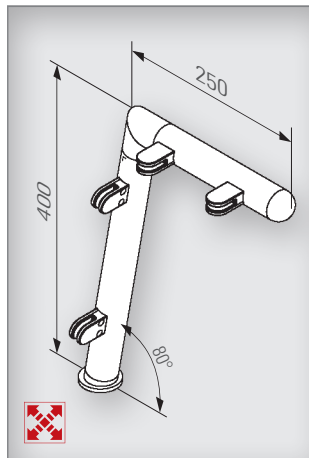
INFO optional

Toughened glass / Laminated glass



Model 120

	Ø	Art.no.
	25,4 mm (1")	20.1201.025...
	38,1 mm (1,5")	20.1201.038...
	25,4 mm (1")	20.1202.025...
	38,1 mm (1,5")	20.1202.038...
	25,4 mm (1")	20.1203.025...
	38,1 mm (1,5")	20.1203.038...



1 x 11.0730...
(264)



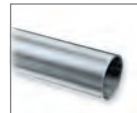
4 (8) x 10.2708...
(145)



1 x 11.0502...
(257)

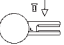


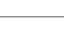




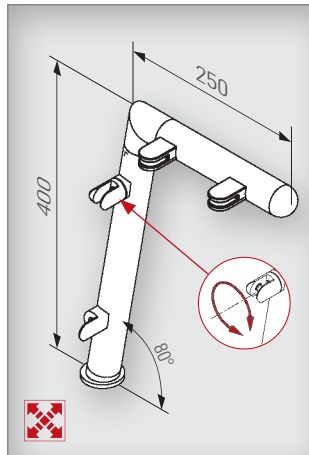
1 x 11.0312...
(250)



2 x 11/12.8900...
(239)

Model 121

	Ø	Art.no.
	25,4 mm (1")	20.1211.025...
	38,1 mm (1,5")	20.1211.038...
	25,4 mm (1")	20.1212.025...
	38,1 mm (1,5")	20.1212.038...
	25,4 mm (1")	20.1213.025...
	38,1 mm (1,5")	20.1213.038...



1 x 11.0730...
(264)



2 (4) x 10.2708...
(145)



1 (2) x 10.2900...
(153)



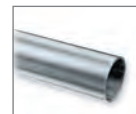
1 (2) x 10.2950...
(153)



1 x 11.0502...
(257)

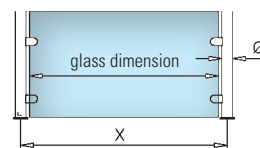


1 x 11.0312...
(250)



2 x 11/12.8900...
(239)

INFO Post - 121



Glass dimension for hinge adapters
Ø 25,4 mm: x - 53 mm
Ø 38,1 mm: x - 65 mm

INFO Finishes



Stainless steel design
Art.no. ...20



Chrome design
Art.no. ...23



Brass design
Art.no. ...22



Anthracite design
Art.no. ...26

4

Posts - round, 80°

 ⇨ production according to order
⇨ other dimensions possible



Ø 25,4 mm / Ø 38,1 mm

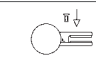

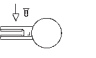
INFO optional

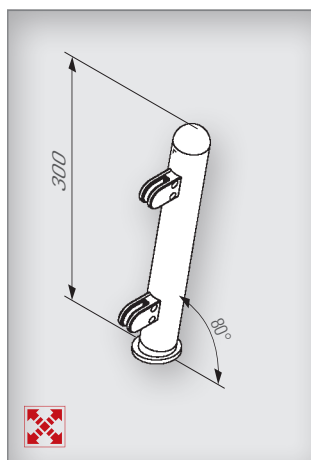
Toughened glass / Laminated glass



(☐ 273)

Model 161

	Ø	Art.no.
	25,4 mm (1")	20.1611.025...
	38,1 mm (1,5")	20.1611.038...
	25,4 mm (1")	20.1612.025...
	38,1 mm (1,5")	20.1612.038...
	25,4 mm (1")	20.1613.025...
	38,1 mm (1,5")	20.1613.038...



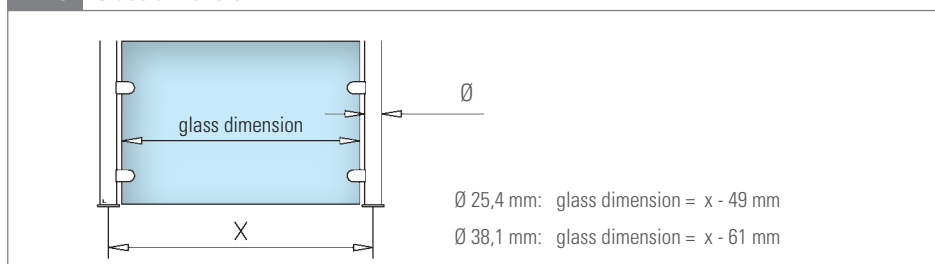
			
1 x 11.0730... (☐ 264)	2 (4) x 10.2708... (☐ 145)	1 x 11.0502... (☐ 257)	1 x 11/12.8900... (☐ 239)

INFO Finishes

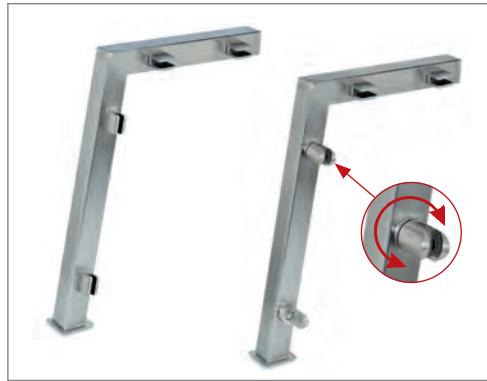
			
Stainless steel design Art.no. ...20	Chrome design Art.no. ...23	Brass design Art.no. ...22	Anthracite design Art.no. ...26

4

INFO Glass dimension



Posts - square, 80°

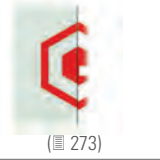


Stainless steel design
 □ 20 x 20 mm / □ 35 x 35 mm

⇨ production according to order
 ⇨ other dimensions possible

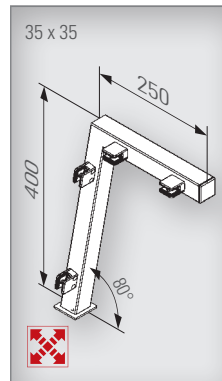
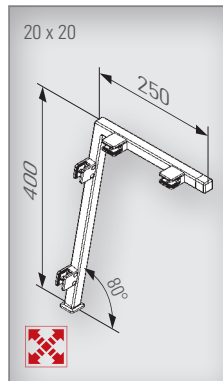
INFO optional

Toughened glass /
 Laminated glass



Model 122

□	Art.no.
	20.1221.020.20
	20.1221.035.20
	20.1222.020.20
	20.1222.035.20
	20.1223.020.20
	20.1223.035.20



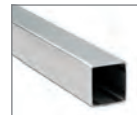
1 x
 12.4732...
 (■ 265)



4 (8) x
 10.2308.000.20
 (■ 142)



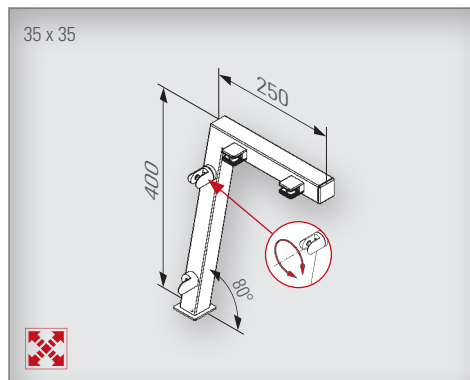
1 x
 12.4502...
 (■ 261)



2 x
 12.4890...
 (■ 238)

Model 123

□	Art.no.
	20.1231.035.20
	20.1232.035.20
	20.1233.035.20



1 x
 12.4732.035.12
 (■ 265)



2 (4) x
 10.2308.000.20
 (■ 142)



1 (2) x
 10.2900.000.20
 (■ 153)



1 (2) x
 10.2950.000.20
 (■ 153)

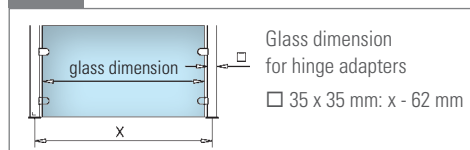


1 x
 12.4502.035.12
 (■ 261)




2 x
 12.4890.035.12
 (■ 238)

INFO Post - 123



Posts - square, 90°

 ⇨ production according to order
⇨ other dimensions possible



Stainless steel design
□ 20 x 20 mm / □ 35 x 35 mm

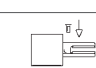
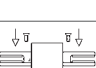

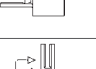




INFO optional

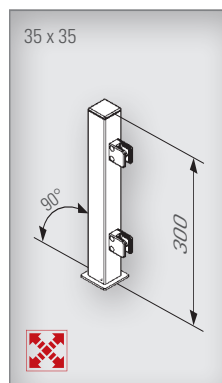
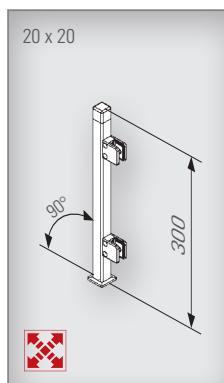
Toughened glass /
Laminated glass



(☐ 273)

Model 162

□	Art.no.
	20 x 20 mm 20.1621.020.20
	35 x 35 mm 20.1621.035.20
	20 x 20 mm 20.1622.020.20
	35 x 35 mm 20.1622.035.20
	20 x 20 mm 20.1623.020.20
	35 x 35 mm 20.1623.035.20
	20 x 20 mm 20.1625.020.20
	35 x 35 mm 20.1625.035.20



1 x
12.4732...
(☐ 265)



2 (4) x
10.2308.000.20
(☐ 142)

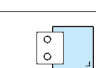

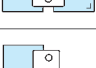


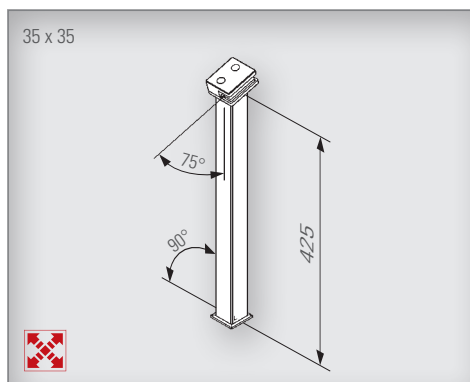
1 x
12.4500...
(☐ 261)



1 x
12.4890...
(☐ 238)

Model 195

□	Art.no.
	35 x 35 mm 20.1951.035.20
	35 x 35 mm 20.1952.035.20
	35 x 35 mm 20.1953.035.20



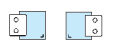
1 x
14.5108.000.12
(☐ 148)



1 x
14.5208.000.12
(☐ 148)

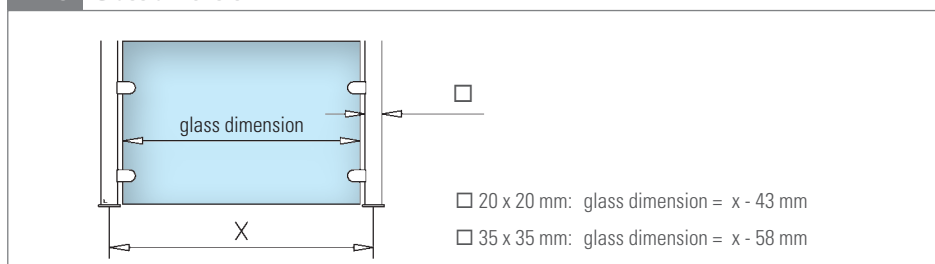


1 x
12.4500.035.12
(☐ 261)




1 x
12.4890.035.12
(☐ 238)

INFO Glass dimension



Posts - square, 90°

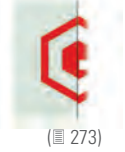
 ⇨ production according to order
⇨ other dimensions possible



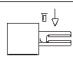





Stainless steel design
□ 20 x 20 mm / □ 35 x 35 mm

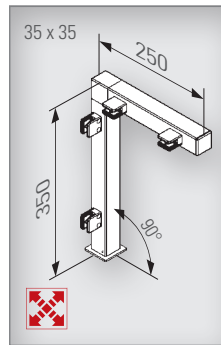
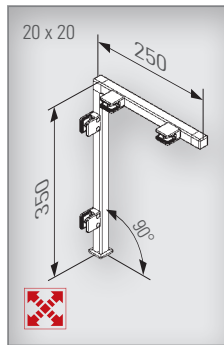
INFO optional

Toughened glass /
Laminated glass



Model 132

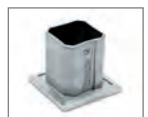
□	Art.no.
	20.1321.020.20
	20.1321.035.20
	20.1322.020.20
	20.1322.035.20
	20.1323.020.20
	20.1323.035.20



1 x
12.4732...
(■ 265)



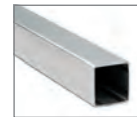
4 (8) x
10.2308.000.20
(■ 142)



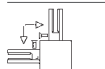
1 x
12.4500...
(■ 261)

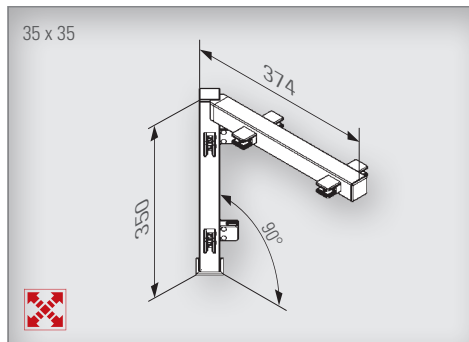


1 x
12.4303...
(■ 254)



2 x
12.4890...
(■ 238)

	35 x 35 mm	20.1325.035.20
-------------------------------------------------------------------------------------	------------	----------------



2 x
12.4732.035.12
(■ 265)



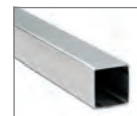
8 x
10.2308.000.20
(■ 142)



1 x
12.4500.035.12
(■ 261)

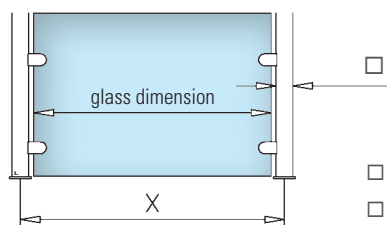


1 x
12.4727.035.12
(■ 254)




2 x
12.4890.035.12
(■ 238)

INFO Glass dimension




□ 20 x 20 mm: glass dimension = x - 43 mm
□ 35 x 35 mm: glass dimension = x - 58 mm

Posts - square, 90°

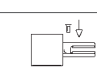
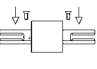
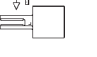
 ⇨ production according to order
⇨ other dimensions possible

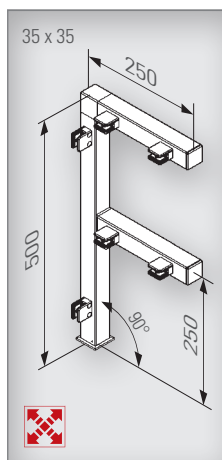
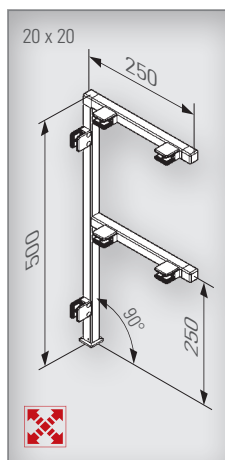


Stainless steel design
□ 20 x 20 mm / □ 35 x 35 mm

INFO optional
Toughened glass / Laminated glass

(☐ 273)

Model 133

	□	Art.no.
	20 x 20 mm	20.1331.020.20
	35 x 35 mm	20.1331.035.20
	20 x 20 mm	20.1332.020.20
	35 x 35 mm	20.1332.035.20
	20 x 20 mm	20.1333.020.20
	35 x 35 mm	20.1333.035.20



2 x
12.4732...
(☐ 265)



6 (12) x
10.2308.000.20
(☐ 142)



1 x
12.4500...
(☐ 261)



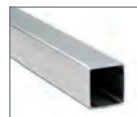
1 x
12.4303...
(☐ 254)



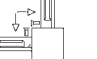
1 x
11.4728.020.00
(☐ 255)

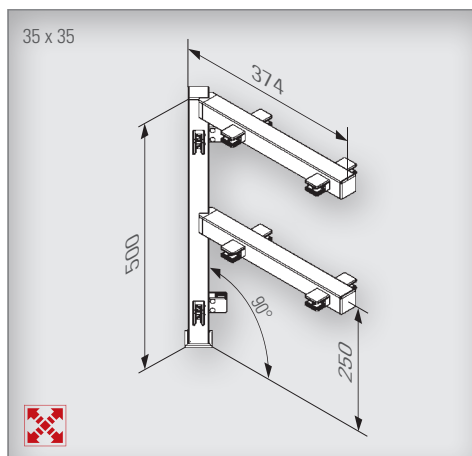


1 x
12.4725.035.12
(☐ 254)



3 x
12.4890...
(☐ 238)

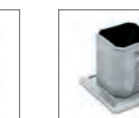
	35 x 35 mm	20.1335.035.20
-------------------------------------------------------------------------------------	------------	----------------



3 x
12.4732.035.12
(☐ 265)



12 x
10.2308.000.20
(☐ 142)



1 x
12.4500.035.12
(☐ 261)



2 x
12.4727.035.12
(☐ 254)



3 x
12.4890.035.12
(☐ 238)

Handrail - 320

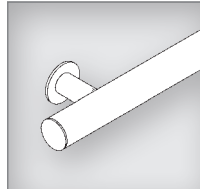


Wall

Ø 38,1 mm

320 - 1

L	Art.no.
2500 mm	20.3201.238...
5000 mm	20.3201.538...



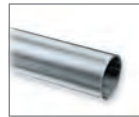
2 x 11.0729.038...
(☐ 264)



L 2500 mm:
3 x 11.0625.038...
L 5000 mm:
5 x 11.0625.038...
(☐ 256)



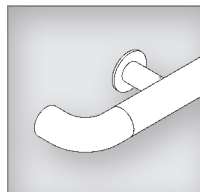
L 2500 mm:
3 x 11/12.0501.038...
L 5000 mm:
5 x 12.0501.038...
(☐ 258)



L 2500 mm:
1 x 11/12.8925.038...
L 5000 mm:
1 x 12.0900.038...
(☐ 239)

320 - 2

L	Art.no.
2500 mm	20.3202.238...
5000 mm	20.3202.538...



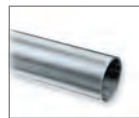
2 x 11/12.0739.038...
(☐ 266)



L 2500 mm:
3 x 11.0625.038...
L 5000 mm:
5 x 11.0625.038...
(☐ 256)



L 2500 mm:
3 x 11/12.0501.038...
L 5000 mm:
5 x 12.0501.038...
(☐ 258)



L 2500 mm:
1 x 11/12.8925.038...
L 5000 mm:
1 x 12.0900.038...
(☐ 239)

INFO Finishes



Handrail - 321

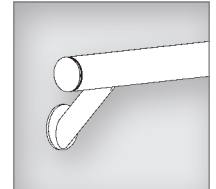


Wall

Ø 38,1 mm

321 - 1

L	Art.no.
2500 mm	20.3211.238...
5000 mm	20.3211.538...



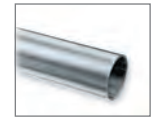
2 x 11.0729.038...
(☐ 264)



L 2500 mm:
3 x 12.0625.438...
L 5000 mm:
5 x 12.0625.438...
(☐ 256)



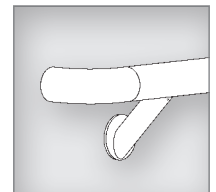
L 2500 mm:
3 x 12.0501.038...
L 5000 mm:
5 x 12.0501.038...
(☐ 258)



L 2500 mm:
1 x 12.8925.038...
L 5000 mm:
1 x 12.0900.038...
(☐ 239)

321 - 2

L	Art.no.
2500 mm	20.3212.238...
5000 mm	20.3212.538...



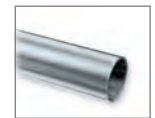
2 x 12.0739.038...
(☐ 266)



L 2500 mm:
3 x 12.0625.438...
L 5000 mm:
5 x 12.0625.438...
(☐ 256)



L 2500 mm:
3 x 12.0501.038...
L 5000 mm:
5 x 12.0501.038...
(☐ 258)

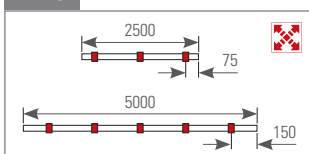


L 2500 mm:
1 x 12.8925.038...
L 5000 mm:
1 x 12.0900.038...
(☐ 239)

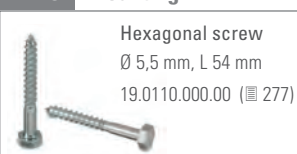
INFO Finishes



INFO



INFO Mounting



⇨ production according to order
⇨ other dimensions possible

For further details visit: www.g-fittings.com

Handrail - 322

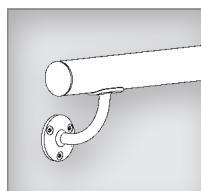


Wall

Ø 38,1 mm

322 - 1

L	Art.no.
2500 mm	20.3221.238...
5000 mm	20.3221.538...



2 x 11.0729.038...
(■ 264)



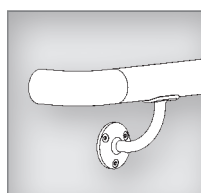
L 2500 mm:
3 x 11.0111.038...
L 5000 mm:
5 x 11.0111.038...
(■ 132)



L 2500 mm:
1 x 11/12.8925.038...
L 5000 mm:
1 x 12.0900.038...
(■ 239)

322 - 2

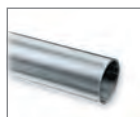
L	Art.no.
2500 mm	20.3222.238...
5000 mm	20.3222.538...



2 x 11/12.0739.038...
(■ 266)



L 2500 mm:
3 x 11.0111.038...
L 5000 mm:
5 x 11.0111.038...
(■ 132)



L 2500 mm:
1 x 11/12.8925.038...
L 5000 mm:
1 x 12.0900.038...
(■ 239)

INFO Finishes



Stainless
steel design
Art.no. ...20

Chrome
design
Art.no. ...23

L 2500 mm
Brass
design
Art.no. ...22

Handrail - 323

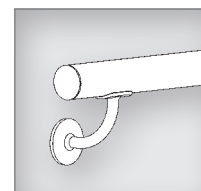


Wall

Ø 38,1 mm

323 - 1

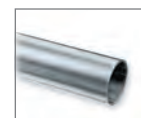
L	Art.no.
2500 mm	20.3231.238...
5000 mm	20.3231.538...



2 x 11.0729.038...
(■ 264)



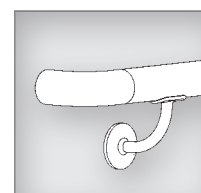
L 2500 mm:
3 x 11.0112.038...
L 5000 mm:
5 x 11.0112.038...
(■ 132)



L 2500 mm:
1 x 11/12.8925.038...
L 5000 mm:
1 x 12.0900.038...
(■ 239)

323 - 2

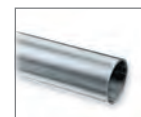
L	Art.no.
2500 mm	20.3232.238...
5000 mm	20.3232.538...



2 x 11/12.0739.038...
(■ 266)



L 2500 mm:
3 x 11.0112.038...
L 5000 mm:
5 x 11.0112.038...
(■ 132)



L 2500 mm:
1 x 11/12.8925.038...
L 5000 mm:
1 x 12.0900.038...
(■ 239)

INFO Finishes

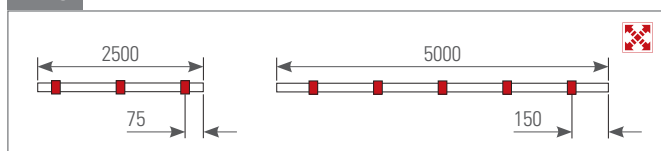


Stainless
steel design
Art.no. ...20

Chrome
design
Art.no. ...23

L 2500 mm
Brass
design
Art.no. ...22

INFO



⇨ production according to order

⇨ other dimensions possible

For further details visit: www.g-fittings.com

Handrail - 325

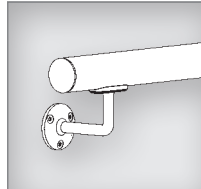


Wall

Ø 38,1 mm

325 - 1

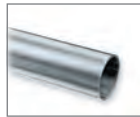
L	Art.no.
2500 mm	20.3251.238...
5000 mm	20.3251.538...



2 x 11.0729.038...
(☐ 264)



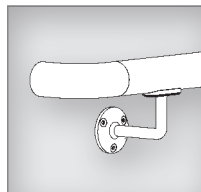
L 2500 mm:
3 x 11.0119.000...
L 5000 mm:
5 x 11.0119.000...
(☐ 133)



L 2500 mm:
1 x 11/12.8925.038...
L 5000 mm:
1 x 12.0900.038...
(☐ 239)

325 - 2

L	Art.no.
2500 mm	20.3252.238...
5000 mm	20.3252.538...



2 x 11/12.0739.038...
(☐ 266)



L 2500 mm:
3 x 11.0119.000...
L 5000 mm:
5 x 11.0119.000...
(☐ 133)



L 2500 mm:
1 x 11/12.8925.038...
L 5000 mm:
1 x 12.0900.038...
(☐ 239)

INFO Finishes



Handrail - 326

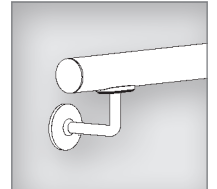


Wall

Ø 38,1 mm

326 - 1

L	Art.no.
2500 mm	20.3261.238...
5000 mm	20.3261.538...



2 x 11.0729.038...
(☐ 264)



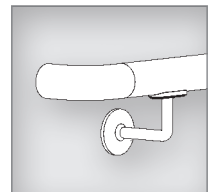
L 2500 mm:
3 x 11.0120.000...
L 5000 mm:
5 x 11.0120.000...
(☐ 133)



L 2500 mm:
1 x 11/12.8925.038...
L 5000 mm:
1 x 12.0900.038...
(☐ 239)

326 - 2

L	Art.no.
2500 mm	20.3262.238...
5000 mm	20.3262.538...



2 x 11/12.0739.038...
(☐ 266)



L 2500 mm:
3 x 11.0120.000...
L 5000 mm:
5 x 11.0120.000...
(☐ 133)

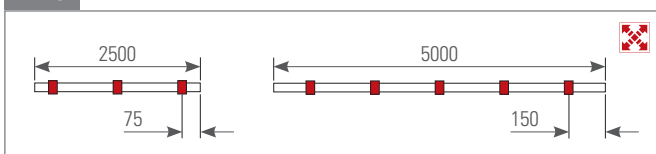


L 2500 mm:
1 x 11/12.8925.038...
L 5000 mm:
1 x 12.0900.038...
(☐ 239)

INFO Finishes



INFO



⇨ production according to order

⇨ other dimensions possible

For further details visit: www.g-fittings.com

Handrail - 327

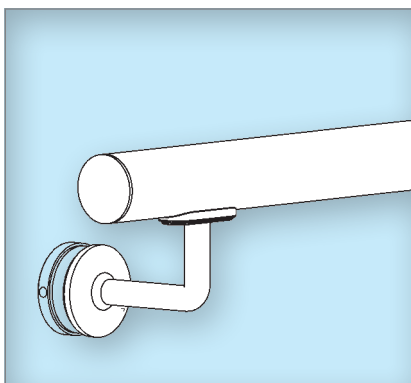


Glass

Ø 38,1 mm

327 - 1

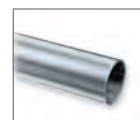
L	Art.no.
2500 mm	20.3271.238...
5000 mm	20.3271.538...



2 x 11.0729.038...
(☐ 264)



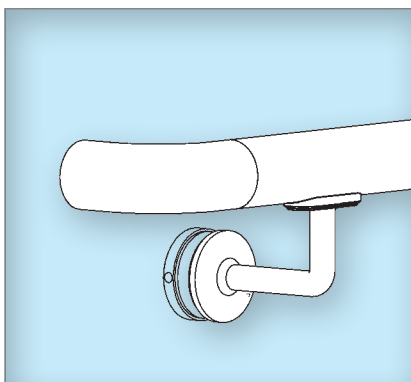
L 2500 mm:
3 x 11.0121.000...
L 5000 mm:
5 x 11.0121.000...
(☐ 133)



L 2500 mm:
1 x 11/12.8925.038...
L 5000 mm:
1 x 12.0900.038...
(☐ 239)

327 - 2

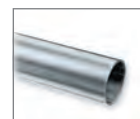
L	Art.no.
2500 mm	20.3272.238...
5000 mm	20.3272.538...



2 x 11/12.0739.038...
(☐ 266)



L 2500 mm:
3 x 11.0121.000...
L 5000 mm:
5 x 11.0121.000...
(☐ 133)



L 2500 mm:
1 x 11/12.8925.038...
L 5000 mm:
1 x 12.0900.038...
(☐ 239)

INFO Finishes



Stainless
steel design
Art.no. ...20

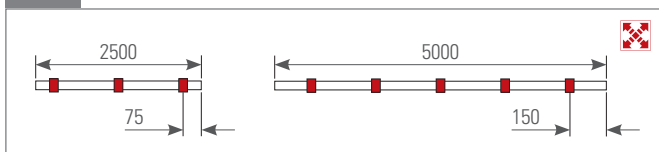


Chrome
design
Art.no. ...23



L 2500 mm
Brass
design
Art.no. ...22

INFO



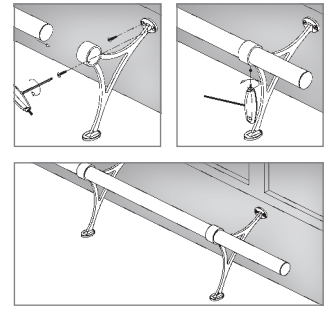
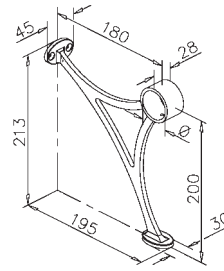
⇨ production according to order
⇨ other dimensions possible

For further details visit: www.g-fittings.com

INFO Finishes

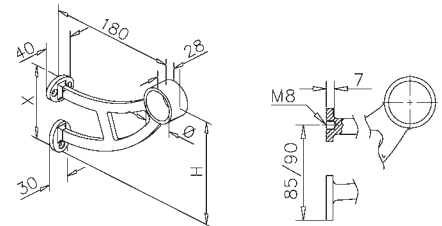


Bracket - 101



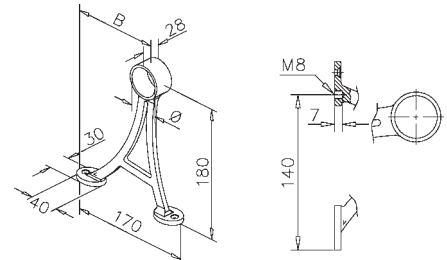
	Stainless steel design	Chrome design	Brass design	Anthracite design
Ø	Art.no.	Art.no.	Art.no.	Art.no.
38,1 mm (1,5")	11.0101.038.20	11.0101.038.23	11.0101.038.22	11.0101.038.26
50,8 mm (2")	11.0101.050.20	11.0101.050.23	11.0101.050.22	

Bracket - 102



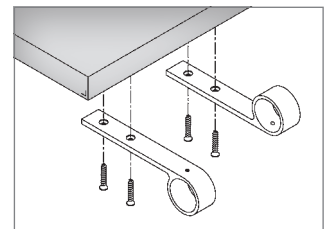
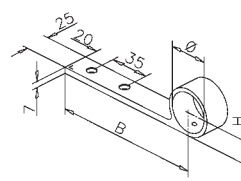
	Stainless steel design	Chrome design	Brass design	Anthracite design	H	X
Ø	Art.no.	Art.no.	Art.no.	Art.no.		
38,1 mm (1,5")	11.0102.038.20	11.0102.038.23	11.0102.038.22	11.0102.038.26	140	100
50,8 mm (2")	12.0102.050.12	12.0102.050.10	11.0102.050.22		145	105

Bracket - 103



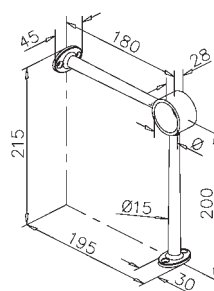
	Stainless steel design	Chrome design	Brass design	B
Ø	Art.no.	Art.no.	Art.no.	
38,1 mm (1,5")	12.0103.038.12	12.0103.038.10	11.0103.038.22	120
50,8 mm (2")	12.0103.050.12	12.0103.050.10	11.0103.050.22	130

Bracket - 105



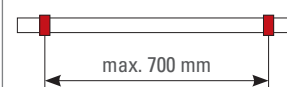
	Stainless steel design	Chrome design	Brass design	Anthracite design	H	B
Ø	Art.no.	Art.no.	Art.no.	Art.no.		
25,4 mm (1")	12.0105.025.12	12.0105.025.10	11.0105.025.22		16	145
38,1 mm (1,5")	11.0105.038.20	11.0105.038.23	11.0105.038.22	11.0105.038.26	23	130

Bracket - 104



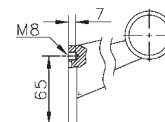
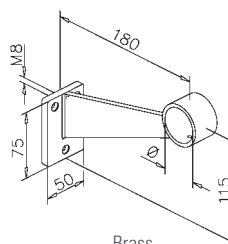
INFO Brackets

Recommended mounting distance



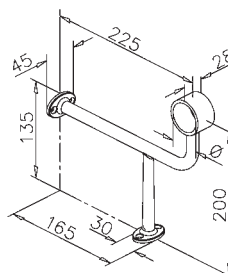
	Stainless steel design	Chrome design	Brass design	Anthracite design
Ø	Art.no.	Art.no.	Art.no.	Art.no.
38,1 mm (1,5")	11.0104.038.20	11.0104.038.23	11.0104.038.22	11.0104.038.26
50,8 mm (2")	11.0104.050.20	11.0104.050.23	11.0104.050.22	

Bracket - 109



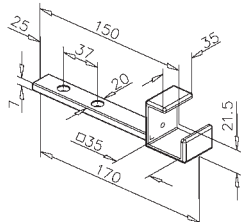
	Stainless steel design	Chrome design	Brass design
Ø	Art.no.	Art.no.	Art.no.
38,1 mm (1,5")	11.0109.038.20	11.0109.038.23	11.0109.038.22
50,8 mm (2")	11.0109.050.20	11.0109.050.23	11.0109.050.22

Bracket - 107



	Stainless steel design	Brass design
Ø	Art.no.	Art.no.
38,1 mm (1,5")	12.0107.038.12	11.0107.038.22
50,8 mm (2")	12.0107.050.12	11.0107.050.22

Bracket - 4105

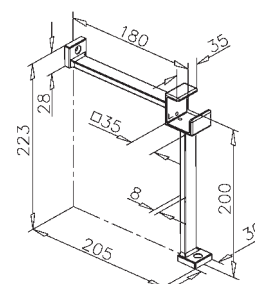


Stainless steel design

Art.no.

□	35 x 35 mm	12.4105.035.12
---	------------	----------------

Bracket - 4104



Stainless steel design

Art.no.

□	35 x 35 mm	12.4104.035.12
---	------------	----------------

Brackets variable - 2100 / 2110



Ø 25,4 mm / Ø 38,1 mm / Ø 50,8 mm

INFO Finishes



Stainless steel design
Art.no. ...20



Chrome design
Art.no. ...23



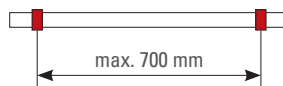
Brass design
Art.no. ...22



Anthracite design
Art.no. ...26

INFO Brackets

Recommended mounting distance



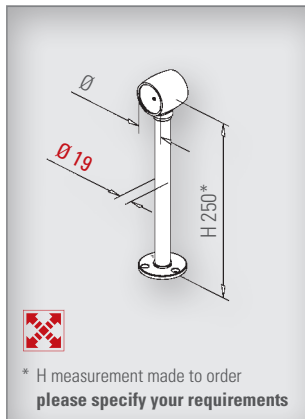
Model 2100

Ø	Art.no.
25,4 mm (1")	20.2100.025...
38,1 mm (1,5")	20.2100.038...
50,8 mm (2")	20.2100.050.20

NEW



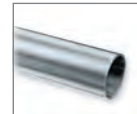
Anthracite design



1 x 11.0217...
(■ 249)



1 x 11.0503.025...
(■ 258)



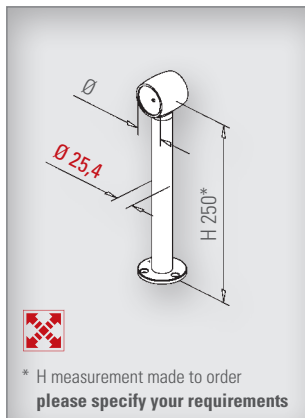
1 x 11/12.8900.019...
(■ 239)



1 x 93.8800.820.15
(■ 277)

Model 2110

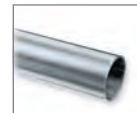
Ø	Art.no.
25,4 mm (1")	20.2110.025...
38,1 mm (1,5")	20.2110.038...
50,8 mm (2")	20.2110.050.20



1 x 11.0217...
(■ 249)



1 x 11.0503.025...
(■ 258)



1 x 11/12.8900.025...
(■ 239)



1 x 93.8800.820.15
(■ 277)



- ⇨ production according to order
- ⇨ other dimensions possible







Brackets variable - 2120 / 2130 / 2140

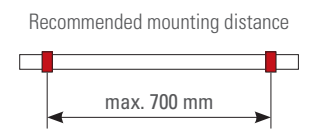


Ø 25,4 mm / Ø 38,1 mm / Ø 50,8 mm

INFO Finishes

	
Stainless steel design Art.no. ...20	Chrome design Art.no. ...23
	
Brass design Art.no. ...22	Anthracite design Art.no. ...26

INFO Brackets



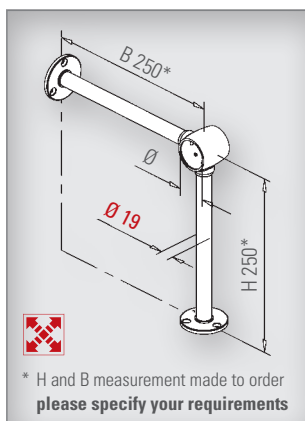
Model 2120

Ø	Art.no.
25,4 mm (1")	20.2120.025...
38,1 mm (1,5")	20.2120.038...
50,8 mm (2")	20.2120.050.20

NEW



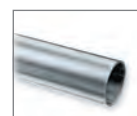
Anthracite design



1 x 11.0216...
(■ 249)



2 x 11.0503.025...
(■ 258)



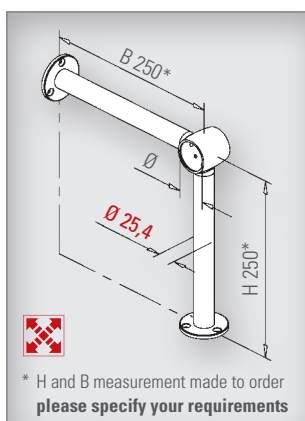
2 x 11/12.8900.019...
(■ 239)



2 x 93.8800.820.15
(■ 277)

Model 2130

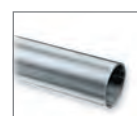
Ø	Art.no.
25,4 mm (1")	20.2130.025...
38,1 mm (1,5")	20.2130.038...
50,8 mm (2")	20.2130.050.20



1 x 11.0216...
(■ 249)



2 x 11.0503.025...
(■ 258)



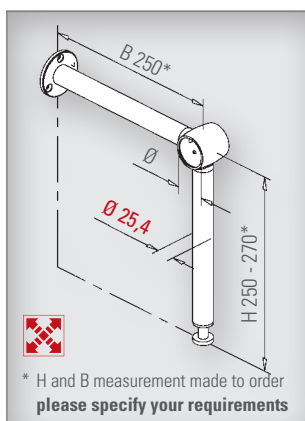
2 x 11/12.8900.025...
(■ 239)



2 x 93.8800.820.15
(■ 277)

Model 2140

Ø	Art.no.
25,4 mm (1")	20.2140.025...
38,1 mm (1,5")	20.2140.038...
50,8 mm (2")	20.2140.050.20



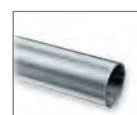
1 x 11.0216...
(■ 249)



1 x 11.0503.025...
(■ 258)



1 x 18.0062.025...
(■ 268)



2 x 11/12.8900.025...
(■ 239)



2 x 93.8800.820.15
(■ 277)

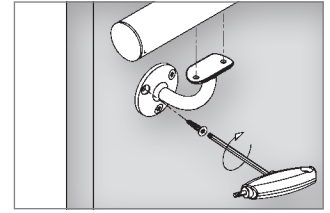
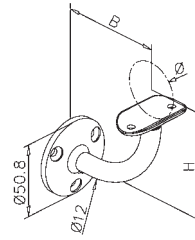


ADJUST-ABLE

INFO Finishes

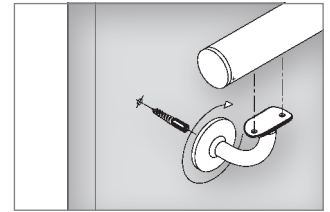
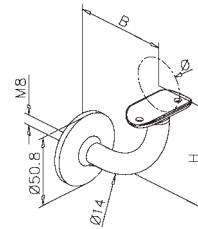


Bracket - 111



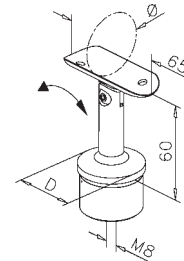
Ø	Stainless steel design Art.no.	Chrome design Art.no.	Brass design Art.no.	Anthracite design Art.no.	H	B
38,1 mm (1,5")	11.0111.038.20	11.0111.038.23	11.0111.038.22	11.0111.038.26	75	70
50,8 mm (2")	11.0111.050.20		11.0111.050.22		82	75

Bracket - 112



Ø	Stainless steel design Art.no.	Chrome design Art.no.	Brass design Art.no.	H	B
38,1 mm (1,5")	11.0112.038.20	11.0112.038.23	11.0112.038.22	75	70
50,8 mm (2")	11.0112.050.20		11.0112.050.22	82	75

Adjustable saddle 20°-90° - 714

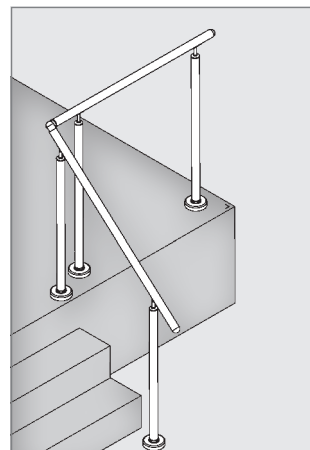
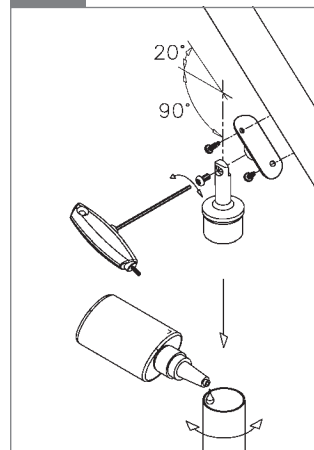


Ø	Stainless steel design Art.no.	Chrome design Art.no.	Brass design Art.no.	D
38,1 mm (1,5")	12.0714.038.12	12.0714.038.10	11.0714.038.22	Ø38,1 (1,5")

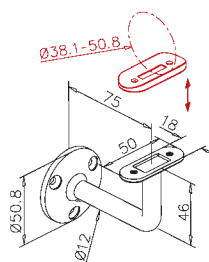
INFO Fixation



INFO 11/12.0714.038...



Bracket - 119

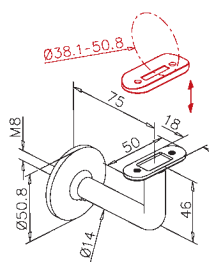


INFO Brackets

Recommended mounting distance

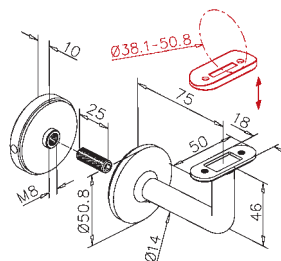
Stainless steel design	Chrome design	Brass design
Art.no.	Art.no.	Art.no.
11.0119.000.20	11.0119.000.23	11.0119.000.22

Bracket - 120



Stainless steel design	Chrome design	Brass design
Art.no.	Art.no.	Art.no.
11.0120.000.20	11.0120.000.23	11.0120.000.22

Bracket - 121



Stainless steel design	Chrome design	Brass design	glass
Art.no.	Art.no.	Art.no.	
11.0121.000.20	11.0121.000.23	11.0121.000.22	8 - 12,76 mm

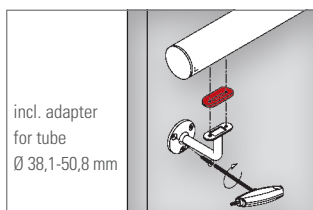
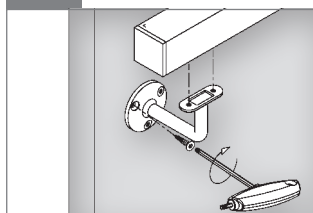
INFO Protection



EXTRA-CLEAN
300 ml
Protecting spray

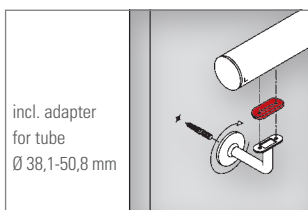
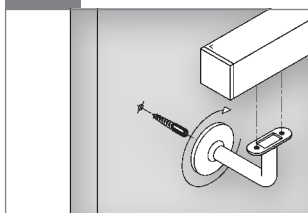
Art.no.
19.0600.000.00

INFO 11.0119.000...



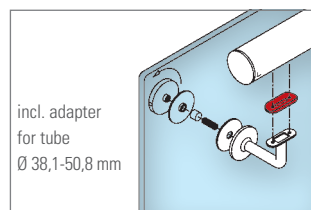
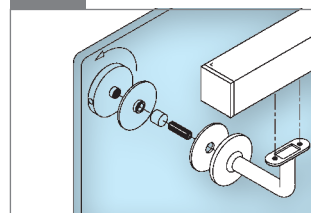
incl. adapter
for tube
Ø 38,1-50,8 mm

INFO 11.0120.000...



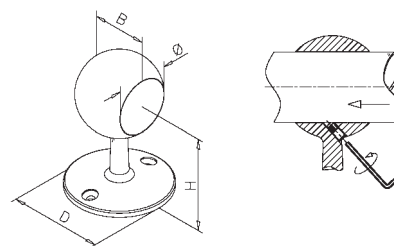
incl. adapter
for tube
Ø 38,1-50,8 mm

INFO 11.0121.000...



incl. adapter
for tube
Ø 38,1-50,8 mm

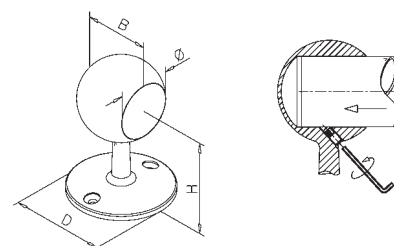
Ball centre post - 600



Ø	Stainless steel design	Chrome design	Brass design	Anthracite design	H	D	B
	Art.no.	Art.no.	Art.no.	Art.no.			
25,4 mm (1")	11.0600.025.20	11.0600.025.23	11.0600.025.22	11.0600.038.26	65	Ø60	30
38,1 mm (1,5")	11.0600.038.20	11.0600.038.23	11.0600.038.22	11.0600.038.26	70	Ø70	40

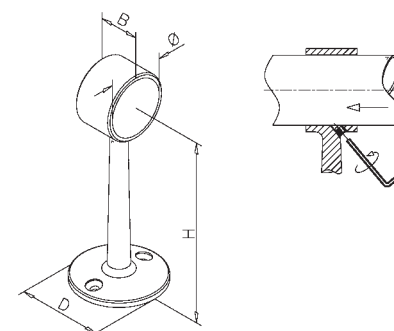
4

Ball end post - 601



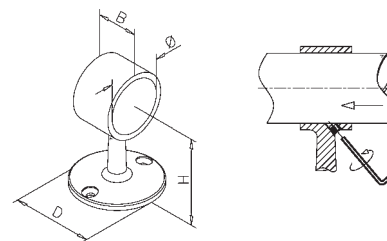
Ø	Stainless steel design	Chrome design	Brass design	Anthracite design	H	D	B
	Art.no.	Art.no.	Art.no.	Art.no.			
25,4 mm (1")	11.0601.025.20	11.0601.025.23	11.0601.025.22	11.0601.038.26	65	Ø60	35
38,1 mm (1,5")	11.0601.038.20	11.0601.038.23	11.0601.038.22	11.0601.038.26	70	Ø70	48

Flat centre post - 604



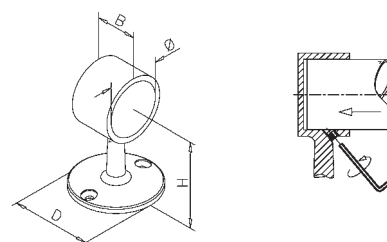
Ø	Stainless steel design	Chrome design	Brass design			
	Art.no.	Art.no.	Art.no.	H	D	B
25,4 mm (1")	12.0604.025.12	12.0604.025.10	11.0604.025.22	130	Ø45	20
38,1 mm (1,5")	12.0604.038.12	12.0604.038.10	11.0604.038.22	130	Ø60	28

Flat centre post - 602



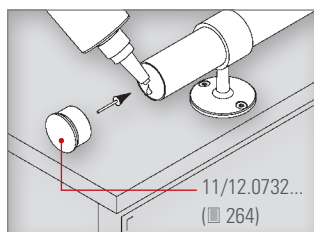
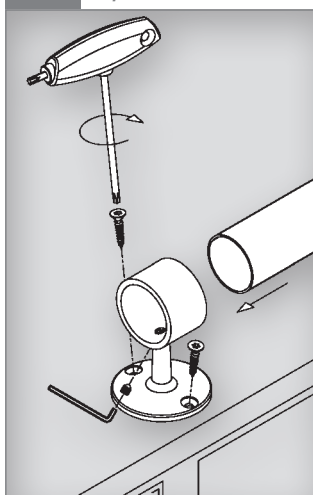
Ø	Stainless steel design	Chrome design	Brass design	Anthracite design	H	D	B
	Art.no.	Art.no.	Art.no.	Art.no.			
19,0 mm	12.0602.019.12	12.0602.019.10	11.0602.019.22		45	Ø35	15
25,4 mm (1")	11.0602.025.20	11.0602.025.23	11.0602.025.22	11.0602.025.26	55	Ø45	20
38,1 mm (1,5")	11.0602.038.20	11.0602.038.23	11.0602.038.22	11.0602.038.26	65	Ø60	28
50,8 mm (2")	11.0602.050.20	11.0602.050.23	11.0602.050.22		80	Ø70	28

Flat end post - 603



Ø	Stainless steel design	Chrome design	Brass design	H	D	B
	Art.no.	Art.no.	Art.no.			
19,0 mm	12.0603.019.12	12.0603.019.10	11.0603.019.22	45	Ø35	15
25,4 mm (1")	11.0603.025.20	11.0603.025.23	11.0603.025.22	55	Ø45	20
38,1 mm (1,5")	11.0603.038.20	11.0603.038.23	11.0603.038.22	65	Ø60	30
50,8 mm (2")	11.0603.050.20	11.0603.050.23	11.0603.050.22	80	Ø70	28

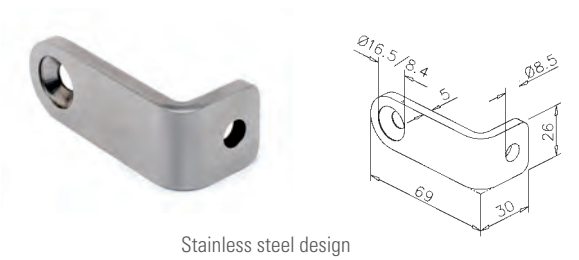
INFO 11/12.0602...



INFO Finishes



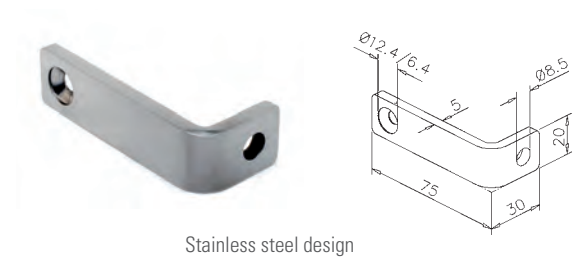
Corner clamp - 108 / 025



Stainless steel design

Ø	Art.no.
25,4 mm (1")	47.0108.025.12

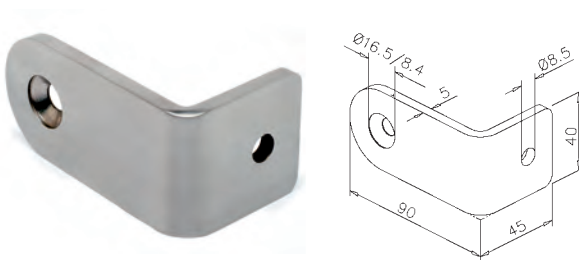
Corner clamp - 4107 / 020



Stainless steel design

□	Art.no.
20 x 20 mm	47.4107.020.12

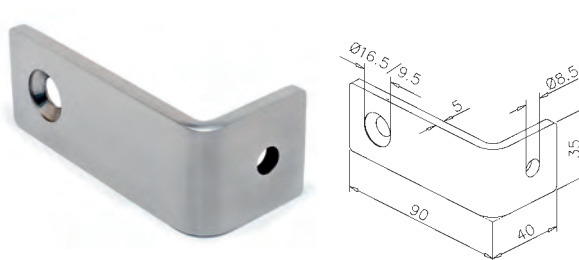
Corner clamp - 108 / 038



Stainless steel design

Ø	Art.no.
38,1 mm (1,5")	47.0108.038.12

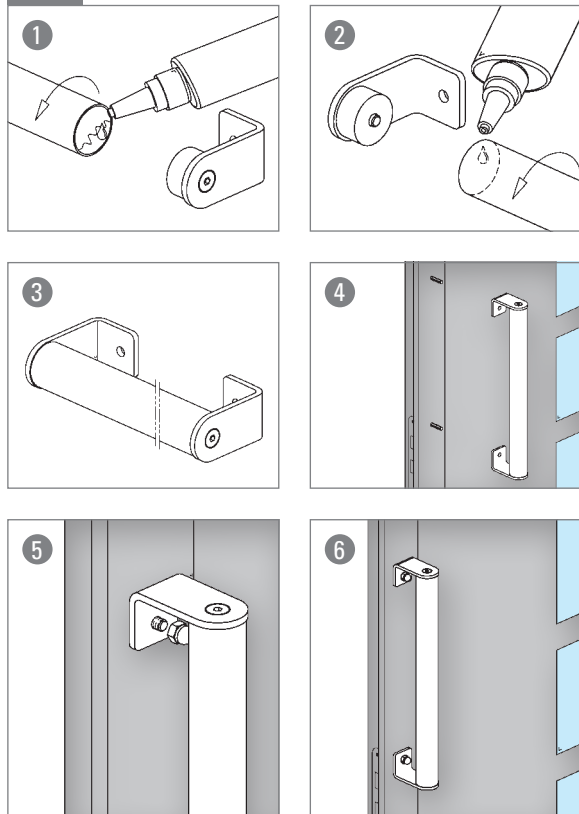
Corner clamp - 4107 / 035



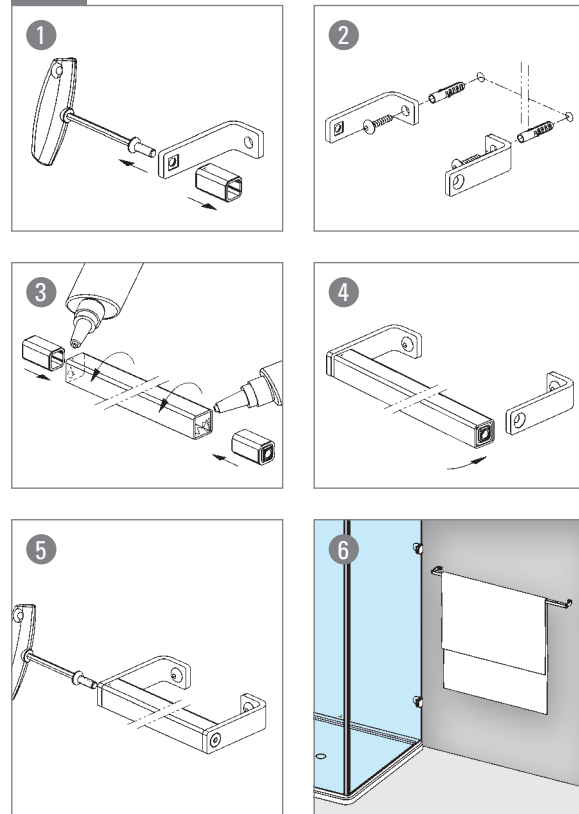
Stainless steel design

□	Art.no.
35 x 35 mm	47.4107.035.12

INFO 47.0108...

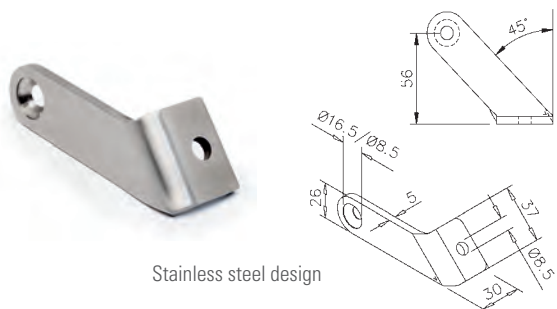


INFO 47.4107...



NEW

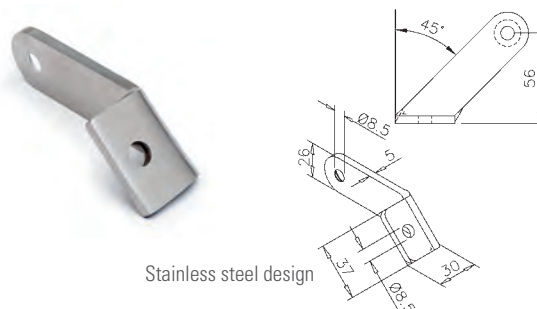
Corner clamp 45° - 110 / 025



Stainless steel design

Ø	Art.no.	
25,4 mm (1")	47.0110.025.12	left

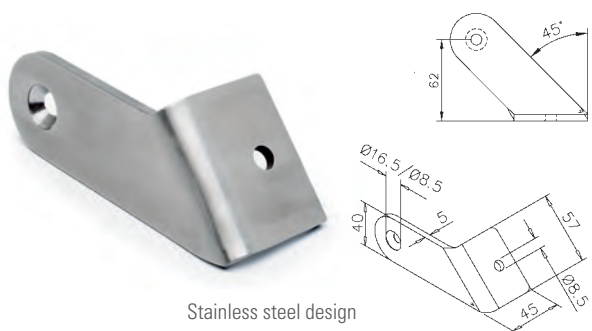
Corner clamp 45° - 111 / 025



Stainless steel design

Ø	Art.no.	
25,4 mm (1")	47.0111.025.12	right

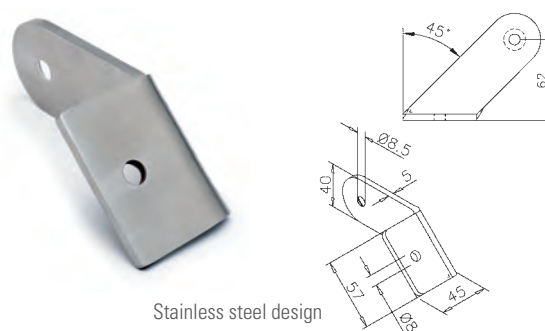
Corner clamp 45° - 110 / 038



Stainless steel design

Ø	Art.no.	
38,1 mm (1,5")	47.0110.038.12	left

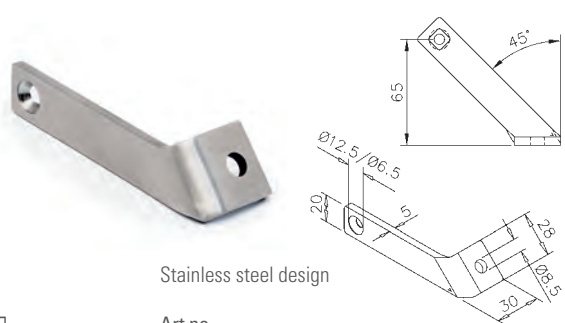
Corner clamp 45° - 111 / 038



Stainless steel design

Ø	Art.no.	
38,1 mm (1,5")	47.0111.038.12	right

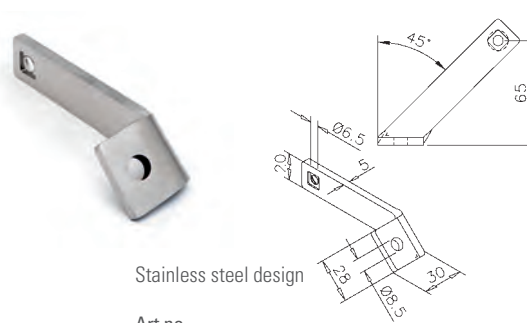
Corner clamp 45° - 4110 / 020



Stainless steel design

□	Art.no.	
20 x 20 mm	47.4110.020.12	left

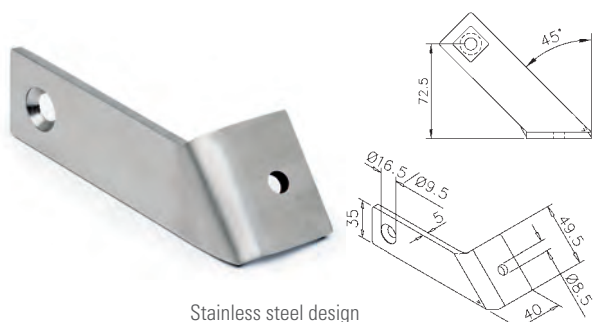
Corner clamp 45° - 4111 / 020



Stainless steel design

□	Art.no.	
20 x 20 mm	47.4111.020.12	right

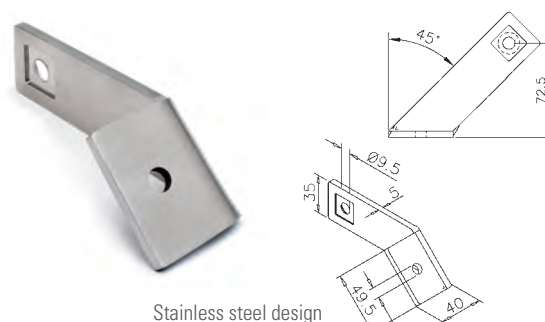
Corner clamp 45° - 4110 / 035



Stainless steel design

□	Art.no.	
35 x 35 mm	47.4110.035.12	left

Corner clamp 45° - 4111 / 035



Stainless steel design

□	Art.no.	
35 x 35 mm	47.4111.035.12	right

4

INFO Glass clamps

4



Finishes



304 (V2A)
Stainless steel design
Art.no. 12.....12



304 (V2A)
Chrome design
Art.no. 12.....10



316 (V4A)
Stainless steel design
Art.no. 14.....12



Zintec
raw
Art.no. 10.....00



Zintec
Stainless steel design
Art.no. 10.....20



Zintec
Brass design
Art.no. 10.....22



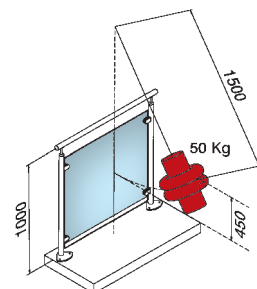
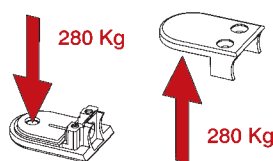
Zintec
Chrome design
Art.no. 10.....23



Zintec
Anthracite design
Art.no. 10.....26



- Glass clamps for semi-toughened and toughened laminated glass
- Glass width maximum 1600 mm
- Certified clamps for fast approval
- No static calculations



For further details visit: www.g-fittings.com

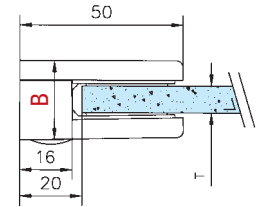
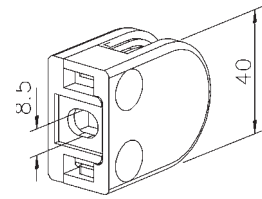


Model 20



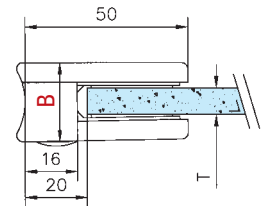
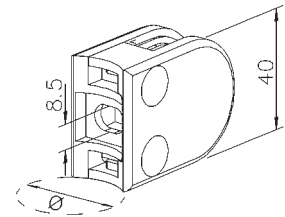
Flat glass clamp

	T	Art.no.
MONO	6 mm	...2006.000...
	8 mm	...2008.000...
LAM.	6,76 (3 - 0,76 - 3) mm	...2007.000...



Glass clamp for tube

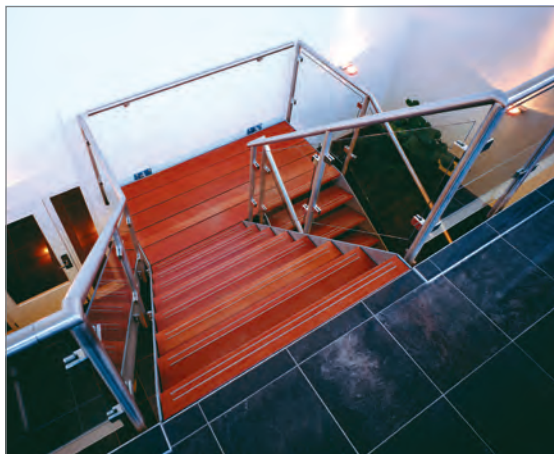
	T	Ø	Art.no.
MONO	6 mm	25,4 - 30,0 mm	12.2006.025.12
	8 mm	25,4 - 30,0 mm	12.2008.025.12
	6 mm	38,1 - 42,4 mm	...2006.038...
	8 mm	38,1 - 42,4 mm	...2008.038...
LAM.	6,76 (3 - 0,76 - 3) mm	25,4 - 30,0 mm	12.2007.025.12
	6,76 (3 - 0,76 - 3) mm	38,1 - 42,4 mm	...2007.038...








304 (V2A): B = 24
Zintec: B = 26



INFO Accessories



INFO Finishes

 <p>304 (V2A) Stainless steel design Art.no. 12.20 _ _ _ _ .12</p>	 <p>Zintec raw Art.no. 10.20 _ _ .000.00</p>	 <p>Zintec Stainless steel design Art.no. 10.20 _ _ _ _ .20</p>	 <p>Zintec Brass design Art.no. 10.20 _ _ _ _ .22</p>	 <p>Zintec Chrome design Art.no. 10.20 _ _ .000.23</p>
---------------------------------------------------------------------------------------------------------------------------------------------------------------------------------	-----------------------------------------------------------------------------------------------------------------------------------------------------------	------------------------------------------------------------------------------------------------------------------------------------------------------------------------------	---------------------------------------------------------------------------------------------------------------------------------------------------------------------	-----------------------------------------------------------------------------------------------------------------------------------------------------------------------

Model 21

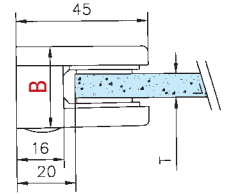
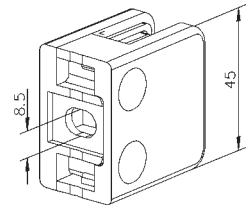


DIN/EN 12600



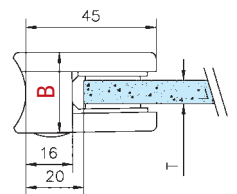
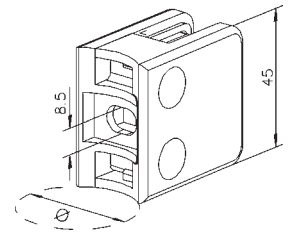
Flat glass clamp

	T	Art.no.
MONO	6 mm	...2106.000...
	8 mm	...2108.000...
	10 mm	...2110.000...
LAM.	6,76 (3 - 0,76 - 3) mm	...2107.000...
	8,76 (4 - 0,76 - 4) mm	...2109.000...
	9,52 (4 - 1,52 - 4) mm	...2144.000...



Glass clamp for tube

	T	∅	Art.no.
MONO	6 mm	38,1 - 42,4 mm	...2106.038...
	8 mm	38,1 - 42,4 mm	...2108.038...
	10 mm	38,1 - 42,4 mm	...2110.038...
LAM.	6,76 (3 - 0,76 - 3) mm	38,1 - 42,4 mm	...2107.038...
	8,76 (4 - 0,76 - 4) mm	38,1 - 42,4 mm	...2109.038...
	9,52 (4 - 1,52 - 4) mm	38,1 - 42,4 mm	...2144.038...



304 (V2A): B = 28
Zintec: B = 30

INFO Accessories



278



INFO Finishes



304 (V2A)
Stainless steel design
Art.no.
12.21 ____ .12



Zintec
raw
Art.no.
10.21 ____ .00



Zintec
Stainless steel design
Art.no.
10.21 ____ .20



Zintec
Brass design
Art.no.
10.21 ____ .22



Zintec
Chrome design
Art.no.
10.21 ____ .23

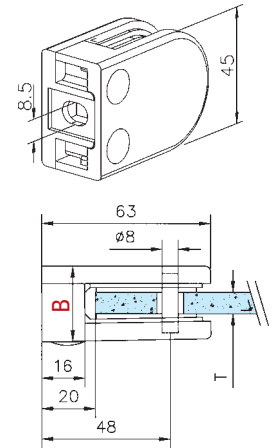


Model 22



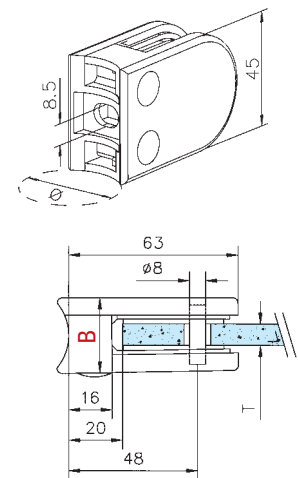
Flat glass clamp

	T	Art.no.
MONO	6 mm	...2206.000...
	8 mm	...2208.000...
	10 mm	...2210.000...
LAM.	6,76 (3 - 0,76 - 3) mm	...2207.000...
	8,76 (4 - 0,76 - 4) mm	...2209.000...
	9,52 (4 - 1,52 - 4) mm	...2244.000...



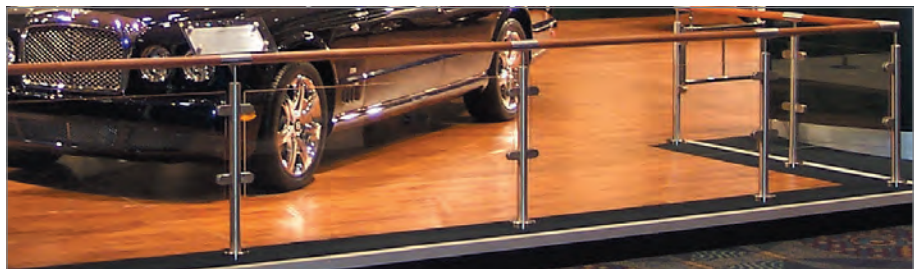
Glass clamp for tube

	T	Ø	Art.no.
MONO	6 mm	38,1 - 42,4 mm	...2206.038...
	8 mm	38,1 - 42,4 mm	...2208.038...
	10 mm	38,1 - 42,4 mm	...2210.038...
LAM.	6 mm	48,3 - 50,8 mm	...2206.050...
	8 mm	48,3 - 50,8 mm	...2208.050...
	10 mm	48,3 - 50,8 mm	...2210.050...
	6,76 (3 - 0,76 - 3) mm	38,1 - 42,4 mm	...2207.038...
	8,76 (4 - 0,76 - 4) mm	38,1 - 42,4 mm	...2209.038...
	9,52 (4 - 1,52 - 4) mm	38,1 - 42,4 mm	...2244.038...
	6,76 (3 - 0,76 - 3) mm	48,3 - 50,8 mm	...2207.050...
	8,76 (4 - 0,76 - 4) mm	48,3 - 50,8 mm	...2209.050...
	9,52 (4 - 1,52 - 4) mm	48,3 - 50,8 mm	...2244.050...



304 (V2A): B = 28
Zintec: B = 30

INFO Accessories



INFO Finishes

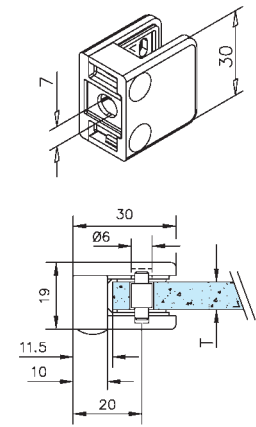
<p>304 (V2A) Stainless steel design Art.no. 12.22 _ _ _ _ .12</p>	<p>Zintec raw Art.no. 10.22 _ _ .000.00</p>	<p>Zintec Stainless steel design Art.no. 10.22 _ _ _ _ .20</p>	<p>Zintec Brass design Art.no. 10.22 _ _ _ _ .22</p>	<p>Zintec Chrome design Art.no. 10.22 _ _ .000.23</p>
---------------------------------------------------------------------------------------------	-----------------------------------------------------------------------	------------------------------------------------------------------------------------------	--------------------------------------------------------------------------------	---------------------------------------------------------------------------------

Model 23



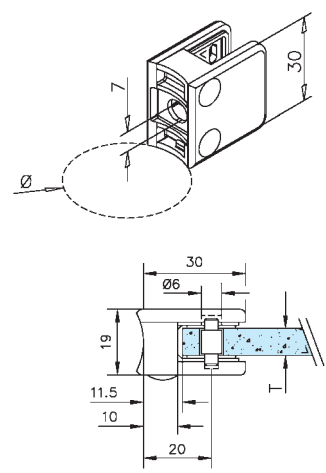
Flat glass clamp

	T	Art.no.
MONO	4 mm	...2304.000...
	6 mm	...2306.000...
	8 mm	...2308.000...
LAM.	6,76 (3 - 0,76 - 3) mm	...2332.000...
	8,76 (4 - 0,76 - 4) mm	...2342.000...



Glass clamp for tube

	T	Ø	Art.no.
MONO	4 mm	25,4 - 30,0 mm	...2304.025...
	6 mm	25,4 - 30,0 mm	...2306.025...
	8 mm	25,4 - 30,0 mm	...2308.025...
	4 mm	38,1 - 42,4 mm	...2304.038...
	6 mm	38,1 - 42,4 mm	...2306.038...
	8 mm	38,1 - 42,4 mm	...2308.038...
LAM.	6,76 (3 - 0,76 - 3) mm	25,4 - 30,0 mm	...2332.025...
	8,76 (4 - 0,76 - 4) mm	25,4 - 30,0 mm	...2342.025...
	6,76 (3 - 0,76 - 3) mm	38,1 - 42,4 mm	...2332.038...
	8,76 (4 - 0,76 - 4) mm	38,1 - 42,4 mm	...2342.038...



INFO Accessories



INFO Finishes

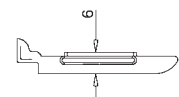
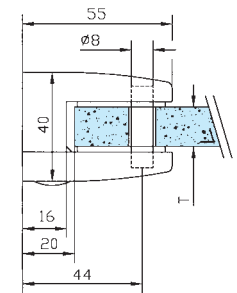
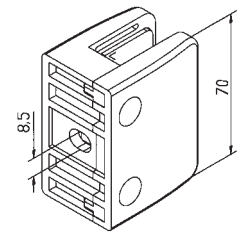
<p>304 (V2A) Stainless steel design Art.no. 12.23 _ _ _ _ .12</p>	<p>Zintec raw Art.no. 10.23 _ _ _ _ .00</p>	<p>Zintec Stainless steel design Art.no. 10.23 _ _ _ _ .20</p>	<p>Zintec Brass design Art.no. 10.23 _ _ _ _ .22</p>	<p>Zintec Chrome design Art.no. 10.23 _ _ _ _ .23</p>	<p>Zintec Anthracite design Art.no. 10.23 _ _ _ _ .26</p>
---------------------------------------------------------------------------------------------	-----------------------------------------------------------------------	------------------------------------------------------------------------------------------	--------------------------------------------------------------------------------	---------------------------------------------------------------------------------	-------------------------------------------------------------------------------------

Model 24



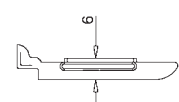
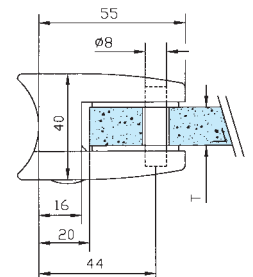
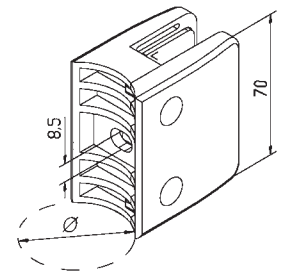
Flat glass clamp

	T	Art.no.
MONO	12 mm	12.2412.000.12
LAM.	12,76 (6 - 0,76 - 6) mm	12.2413.000.12
	16,76 (8 - 0,76 - 8) mm	12.2417.000.12
	17,52 (8 - 1,52 - 8) mm	12.2418.000.12
	9,52 (4 - 1,52 - 4) mm	12.2444.000.12
	11,52 (5 - 1,52 - 5) mm	12.2454.000.12
	13,52 (6 - 1,52 - 6) mm	12.2464.000.12



Glass clamp for tube

	T	Ø	Art.no.
MONO	12 mm	48,3 - 50,8 mm	12.2412.050.12
LAM.	12,76 (6 - 0,76 - 6) mm	48,3 - 50,8 mm	12.2413.050.12
	16,76 (8 - 0,76 - 8) mm	48,3 - 50,8 mm	12.2417.050.12
	17,52 (8 - 1,52 - 8) mm	48,3 - 50,8 mm	12.2418.050.12
	9,52 (4 - 1,52 - 4) mm	48,3 - 50,8 mm	12.2444.050.12
	11,52 (5 - 1,52 - 5) mm	48,3 - 50,8 mm	12.2454.050.12
	13,52 (6 - 1,52 - 6) mm	48,3 - 50,8 mm	12.2464.050.12



INFO Accessories



INFO Finish

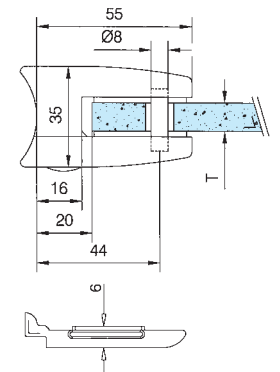
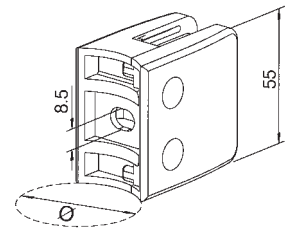
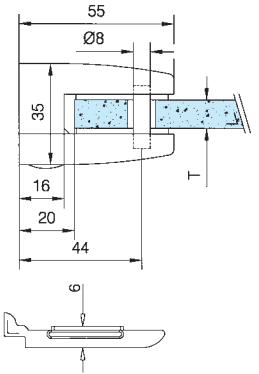
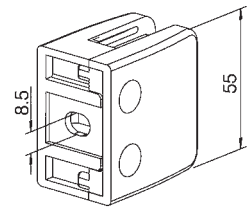


Model 26



Flat glass clamp

	T	Art.no.
MONO	8 mm	...2608.000...
	10 mm	...2610.000...
	12 mm	...2612.000...
LAM.	8,76 (4 - 0,76 - 4) mm	...2609.000...
	10,76 (5 - 0,76 - 5) mm	...2611.000...
	12,76 (6 - 0,76 - 6) mm	...2613.000...
	11,52 (5 - 1,52 - 5) mm	...2654.000...



Glass clamp for tube

	T	Ø	Art.no.
MONO	8 mm	38,1 - 42,4 mm	...2608.038...
	10 mm	38,1 - 42,4 mm	...2610.038...
	12 mm	38,1 - 42,4 mm	...2612.038...
LAM.	8 mm	48,3 - 50,8 mm	...2608.050...
	10 mm	48,3 - 50,8 mm	...2610.050...
	12 mm	48,3 - 50,8 mm	...2612.050...
	8,76 (4 - 0,76 - 4) mm	38,1 - 42,4 mm	...2609.038...
	10,76 (5 - 0,76 - 5) mm	38,1 - 42,4 mm	...2611.038...
	12,76 (6 - 0,76 - 6) mm	38,1 - 42,4 mm	...2613.038...
	11,52 (5 - 1,52 - 5) mm	38,1 - 42,4 mm	...2654.038...
	8,76 (4 - 0,76 - 4) mm	48,3 - 50,8 mm	...2609.050...
	10,76 (5 - 0,76 - 5) mm	48,3 - 50,8 mm	...2611.050...

INFO Accessories



INFO Finishes

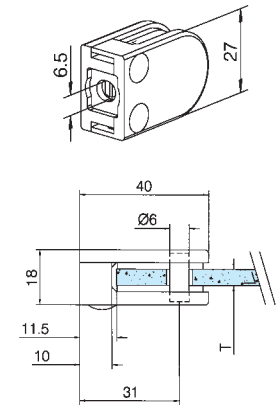
 <p>304 (V2A) Stainless steel design Art.no. 12.26 _ _ _ _ .12</p>	 <p>Zintec raw Art.no. 10.26 _ _ _ _ .00</p>	 <p>Zintec Stainless steel design Art.no. 10.26 _ _ _ _ .20</p>
---------------------------------------------------------------------------------------------------------------------------------------------------------------------------------	-----------------------------------------------------------------------------------------------------------------------------------------------------------	-------------------------------------------------------------------------------------------------------------------------------------------------------------------------------

Model 27



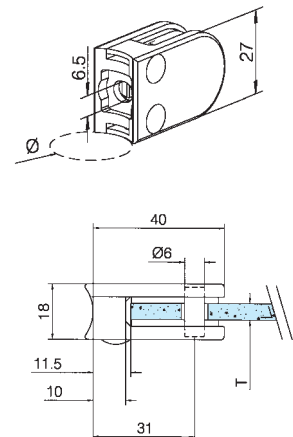
Flat glass clamp

	T	Art.no.
MONO	4 mm	...2704.000...
	6 mm	...2706.000...
	8 mm	...2708.000...
LAM.	6,76 (3 - 0,76 - 3) mm	...2732.000...
	8,76 (4 - 0,76 - 4) mm	...2742.000...



Glass clamp for tube

	T	Ø	Art.no.
MONO	4 mm	25,4 - 30,0 mm	...2704.025...
	6 mm	25,4 - 30,0 mm	...2706.025...
	8 mm	25,4 - 30,0 mm	...2708.025...
LAM.	6,76 (3 - 0,76 - 3) mm	25,4 - 30,0 mm	...2732.025...
	8,76 (4 - 0,76 - 4) mm	25,4 - 30,0 mm	...2742.025...
	6,76 (3 - 0,76 - 3) mm	38,1 - 42,4 mm	...2732.038...
	8,76 (4 - 0,76 - 4) mm	38,1 - 42,4 mm	...2742.038...



INFO Accessories



INFO Finishes

 <p>304 (V2A) Stainless steel design Art.no. 12.2712</p>	 <p>Zintec raw Art.no. 10.2700</p>	 <p>Zintec Stainless steel design Art.no. 10.2720</p>	 <p>Zintec Brass design Art.no. 10.2722</p>	 <p>Zintec Chrome design Art.no. 10.2723</p>	 <p>Zintec Anthracite design Art.no. 10.2726</p>
-----------------------------------------------------------------------------------------------------------------------------------------------------------------------------	-------------------------------------------------------------------------------------------------------------------------------------------------------	--------------------------------------------------------------------------------------------------------------------------------------------------------------------------	----------------------------------------------------------------------------------------------------------------------------------------------------------------	-------------------------------------------------------------------------------------------------------------------------------------------------------------------	-----------------------------------------------------------------------------------------------------------------------------------------------------------------------

Model 28

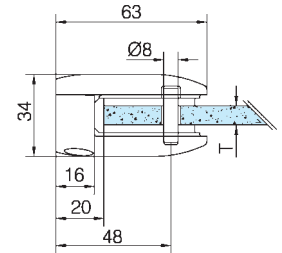
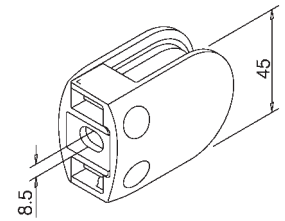


DIN/EN 12600



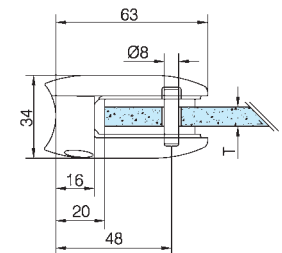
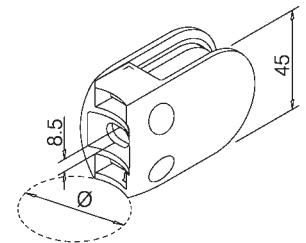
Flat glass clamp

	T	Art.no.
MONO	6 mm	12.2806.000...
	8 mm	12.2808.000...
	10 mm	12.2810.000...
	12 mm	12.2812.000...
LAM.	8,76 (4 - 0,76 - 4) mm	12.2809.000...
	10,76 (5 - 0,76 - 5) mm	12.2811.000...
	12,76 (6 - 0,76 - 6) mm	12.2813.000...
	9,52 (4 - 1,52 - 4) mm	12.2844.000...
	11,52 (5 - 1,52 - 5) mm	12.2854.000...



Glass clamp for tube

	T	Ø	Art.no.
MONO	6 mm	38,1 - 42,4 mm	12.2806.038...
	8 mm	38,1 - 42,4 mm	12.2808.038...
	10 mm	38,1 - 42,4 mm	12.2810.038...
	12 mm	38,1 - 42,4 mm	12.2812.038...
LAM.	6 mm	48,3 - 50,8 mm	12.2806.050...
	8 mm	48,3 - 50,8 mm	12.2808.050...
	10 mm	48,3 - 50,8 mm	12.2810.050...
	12 mm	48,3 - 50,8 mm	12.2812.050...
	8,76 (4 - 0,76 - 4) mm	38,1 - 42,4 mm	12.2809.038...
	10,76 (5 - 0,76 - 5) mm	38,1 - 42,4 mm	12.2811.038...
	12,76 (6 - 0,76 - 6) mm	38,1 - 42,4 mm	12.2813.038...
	9,52 (4 - 1,52 - 4) mm	38,1 - 42,4 mm	12.2844.038...
	11,52 (5 - 1,52 - 5) mm	38,1 - 42,4 mm	12.2854.038...
	8,76 (4 - 0,76 - 4) mm	48,3 - 50,8 mm	12.2809.050...
	10,76 (5 - 0,76 - 5) mm	48,3 - 50,8 mm	12.2811.050...
12,76 (6 - 0,76 - 6) mm	48,3 - 50,8 mm	12.2813.050...	
9,52 (4 - 1,52 - 4) mm	48,3 - 50,8 mm	12.2844.050...	
11,52 (5 - 1,52 - 5) mm	48,3 - 50,8 mm	12.2854.050...	



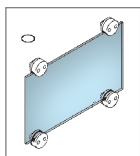
INFO Accessories



INFO Finishes



Model 44

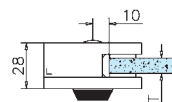
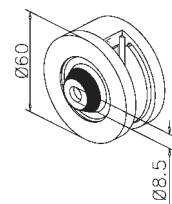


MONO

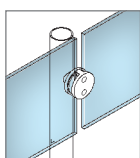
T	Art.no.
8 mm	...4408.000...
10 mm	...4410.000...
12 mm	...4412.000...

LAM.

8,76 (4 - 0,76 - 4) mm	...4409.000...
10,76 (5 - 0,76 - 5) mm	...4411.000...
12,76 (6 - 0,76 - 6) mm	...4413.000...



Model 46

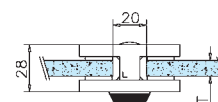
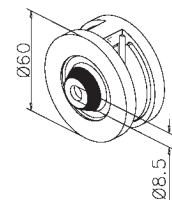


MONO

T	Art.no.
8 mm	...4608.000...
10 mm	...4610.000...
12 mm	...4612.000...

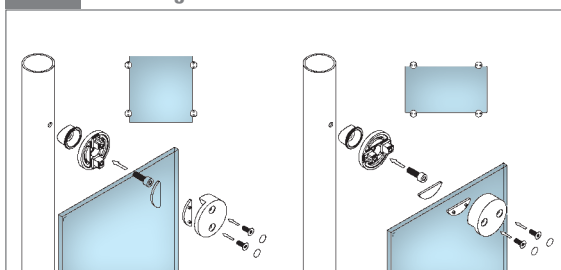
LAM.

8,76 (4 - 0,76 - 4) mm	...4609.000...
10,76 (5 - 0,76 - 5) mm	...4611.000...
12,76 (6 - 0,76 - 6) mm	...4613.000...

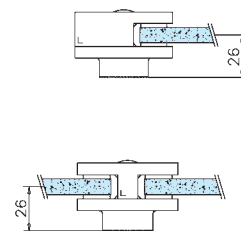
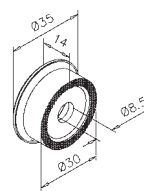


4

INFO Mounting



Flat adapter

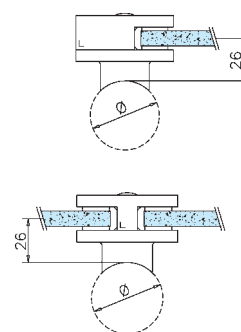
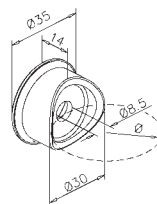


Art.no.
...0723.000...

INFO Finishes Models 44/46 and adapters

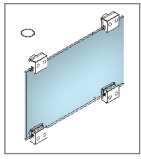
<p>316 (V4A) Stainless steel design Art.no. 14.12</p>	<p>Zintec Stainless steel design Art.no. 10.20</p>
--------------------------------------------------------------------------------------	-----------------------------------------------------------------------------------

Tube adapter



Ø	Art.no.
38,1 - 42,4 mm	...0723.038...
48,3 - 50,8 mm	14.0723.050.12

Model 51



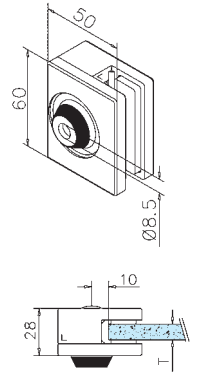
MONO

Glass clamp

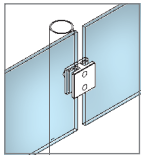
T	Art.no.
8 mm	14.5108.000.12
10 mm	14.5110.000.12

LAM.

8,76 (4 - 0,76 - 4) mm	14.5109.000.12
10,76 (5 - 0,76 - 5) mm	14.5111.000.12
12,76 (6 - 0,76 - 6) mm	14.5113.000.12



Model 52



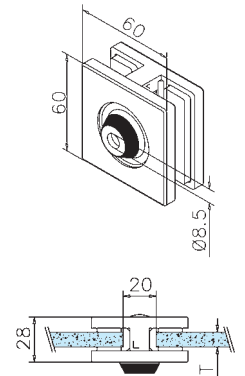
MONO

Glass clamp

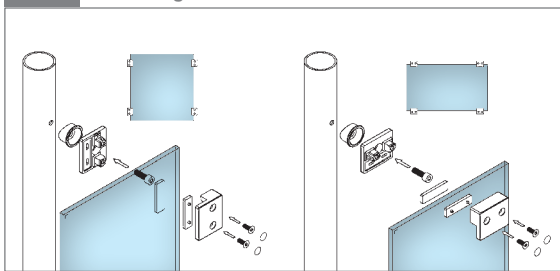
T	Art.no.
8 mm	14.5208.000.12
10 mm	14.5210.000.12

LAM.

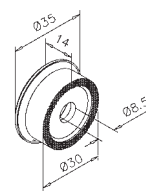
8,76 (4 - 0,76 - 4) mm	14.5209.000.12
10,76 (5 - 0,76 - 5) mm	14.5211.000.12
12,76 (6 - 0,76 - 6) mm	14.5213.000.12



INFO Mounting

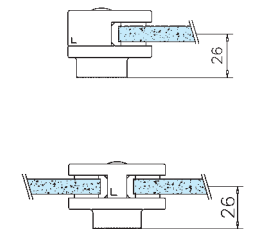


Flat adapter



Art.no.

14.0723.000.12



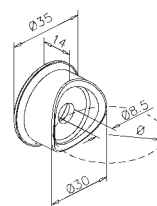
INFO Finish Models 51/52 and adapters



316 (V4A)

Stainless steel design

Tube adapter

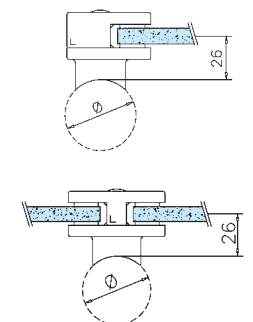


Ø

Art.no.

38,1 - 42,4 mm 14.0723.038.12

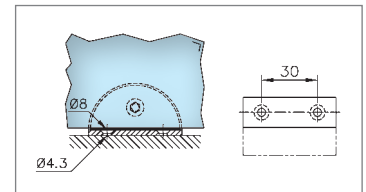
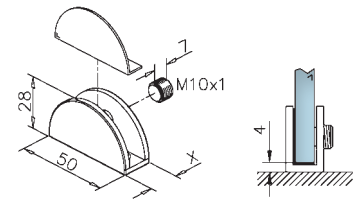
48,3 - 50,8 mm 14.0723.050.12



Glass support - 1008 / 1015



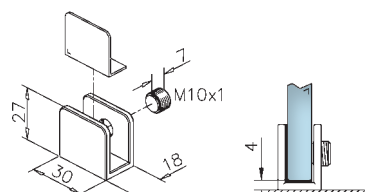
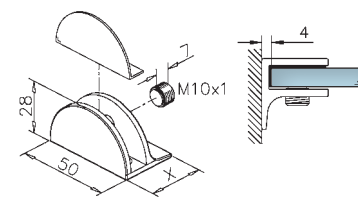
Art.no.	Art.no.	X	glass
22.1008.000.20	22.1008.000.23	16 mm	6 - 8 mm
22.1015.000.20		23 mm	10 - 15 mm



Glass support - 1108 / 1115



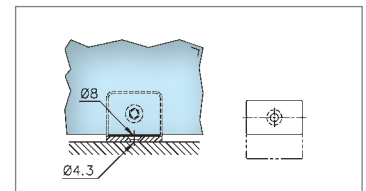
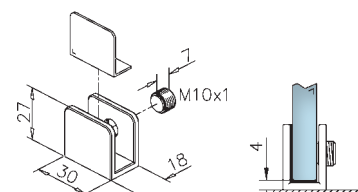
Art.no.	Art.no.	X	glass
22.1108.000.20	22.1108.000.23	30 mm	6 - 8 mm
22.1115.000.20	22.1115.000.23	40 mm	10 - 15 mm



Glass support - 1210



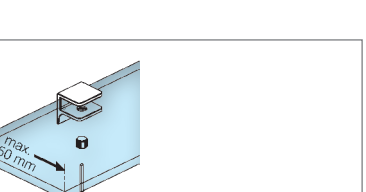
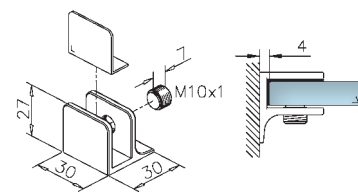
Art.no.	Art.no.	glass
22.1210.000.20	22.1210.000.23	6 - 10 mm



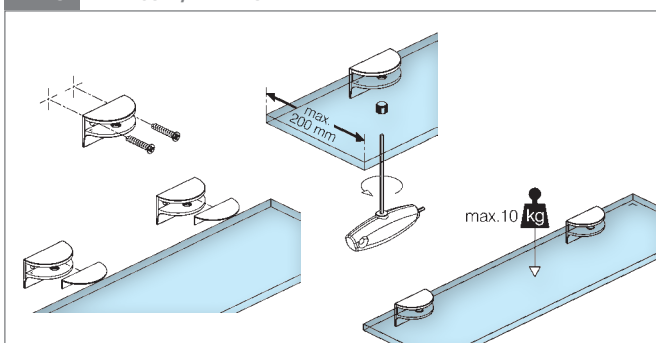
Glass support - 1310



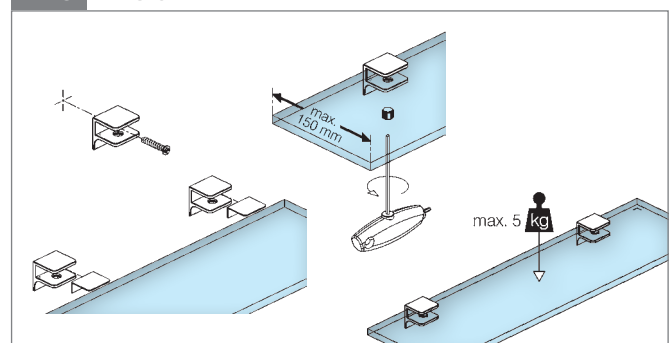
Art.no.	Art.no.	glass
22.1310.000.20	22.1310.000.23	6 - 10 mm



INFO 22.1108... / 22.1115...



INFO 22.1310...

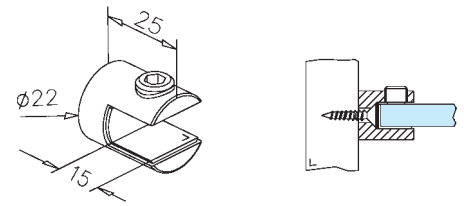


Glass supports

Glass support - 1911



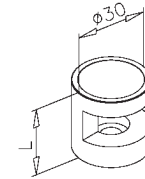
Stainless steel design	Chrome design	
Art.no.	Art.no.	glass
22.1911.000.20	22.1911.000.23	6 - 10 mm



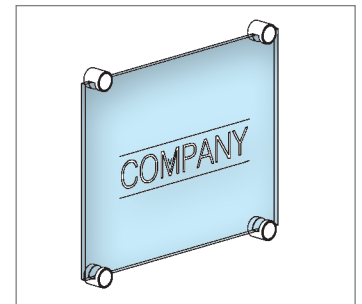
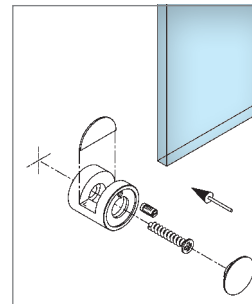
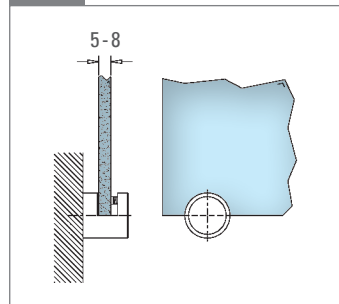
Glass support - 752



Stainless steel design		
Art.no.	L	glass
12.0752.030.12	30 mm	5 - 8 mm



INFO 12.0752.030.12

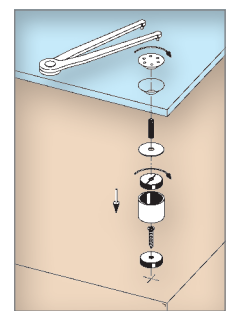
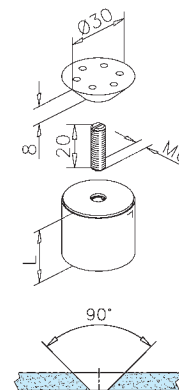


Glass support - 751



with sunken cap

Stainless steel design		
Art.no.	L	glass
12.0751.019.12	19 mm	8 - 12 mm
12.0751.025.12	25 mm	8 - 12 mm
12.0751.038.12	38 mm	8 - 12 mm
12.0751.050.12	50 mm	8 - 12 mm
12.0751.102.12	102 mm	8 - 12 mm

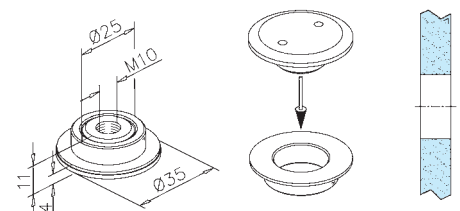


Glass support - 731



pair

Stainless steel design		
Art.no.	glass	
46.0731.000.12	10 - 12,7 mm	

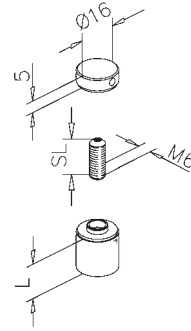


Glass support - 753



Stainless steel design

Art.no.	L	SL	glass
12.0753.015.12	15 mm	16 mm	4 - 6 mm
12.0753.025.12	25 mm	20 mm	4 - 10 mm

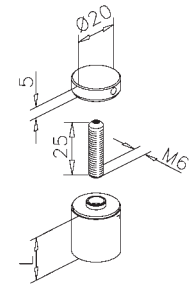


Glass support - 754



Stainless steel design

Art.no.	L	glass
12.0754.020.12	20 mm	5 - 12 mm
12.0754.030.12	30 mm	5 - 12 mm

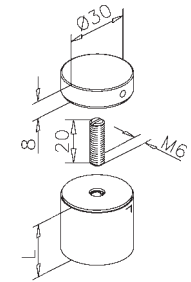


Glass support - 750



Stainless steel design

Art.no.	L	glass
12.0750.019.12	19 mm	4 - 10 mm
12.0750.025.12	25 mm	4 - 10 mm
12.0750.038.12	38 mm	4 - 10 mm
12.0750.050.12	50 mm	4 - 10 mm
12.0750.102.12	102 mm	4 - 10 mm

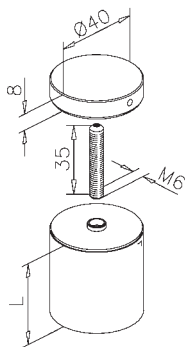


Glass support - 755

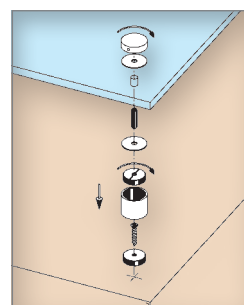
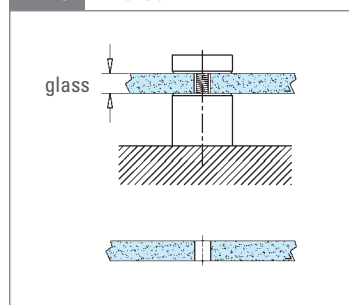


Stainless steel design

Art.no.	L	glass
12.0755.040.12	40 mm	5 - 17 mm



INFO 12.0750...



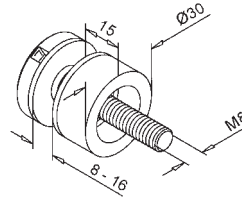
Glass adapter - 746



flat

Art.no.

...0746.000...



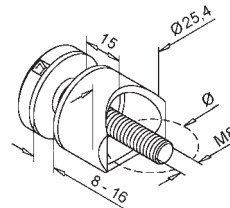
for tube

Ø

Art.no.

25,4 - 30,0 mm

12.0746.025.12



for tube

Ø

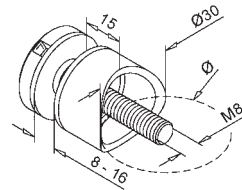
Art.no.

38,1 - 42,4 mm

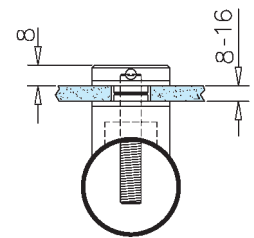
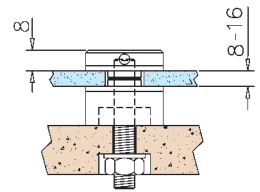
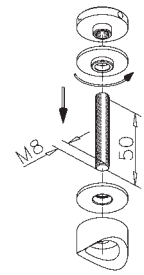
...0746.038...

48,3 - 50,8 mm

...0746.050...



INFO 10/12.0746...



INFO Finishes



304 (V2A)

Stainless steel design

Art.no.

12.0746. ___ .12



Zintec

raw

Art.no.

10.0746. ___ .00



Zintec

Stainless steel design

Art.no.

10.0746. ___ .20



Zintec

Brass design

Art.no.

10.0746. ___ .22



Zintec

Chrome design

Art.no.

10.0746. ___ .23

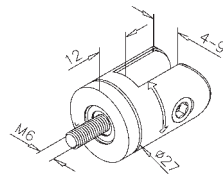
Hinge adapter - 2900



flat

Art.no.

10.2900.000...



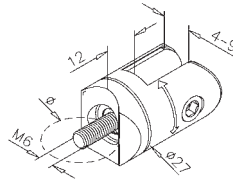
for tube

Ø

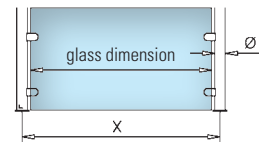
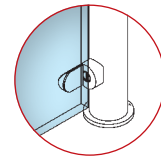
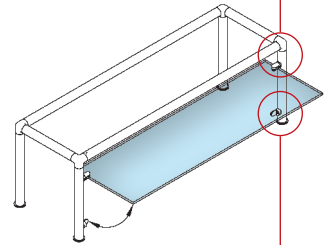
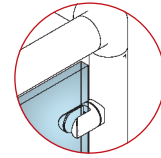
Art.no.

25,4 - 30,0 mm 10.2900.025...

38,1 - 42,4 mm 10.2900.038...



INFO 10.2900... / 10.2950...



Glass dimension for hinge adapters
 Ø 25,4: x - 53 mm
 Ø 38,1: x - 65 mm

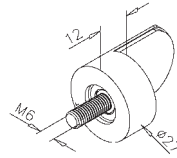
Stop adapter - 2950



flat

Art.no.

10.2950.000...



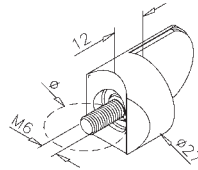
for tube

Ø

Art.no.

25,4 - 30,0 mm 10.2950.025...

38,1 - 42,4 mm 10.2950.038...



INFO Finishes



Stainless steel design

Art.no.

10.29..._..._20



Brass design

Art.no.

10.29..._..._22



Chrome design

Art.no.

10.29..._..._23



Ø 38,1

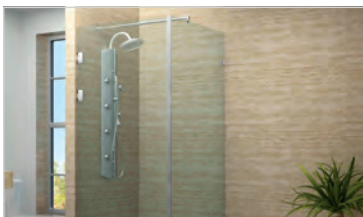
Anthracite design

Art.no.

10.29..._..._038.26



5



5 Shower cubicles 156



5 Partition walls 162



5 Partition walls 163



5 Seals 168



5 Mirror systems 172



5 Lavatory systems 176

Shower cubicle - 4010



Stainless steel design / Chrome design

Door weight max. 40 kg
 Door height max. 2250 mm
 Door width max. 900 mm
 Glass 8 mm

INFO optional



▣ 82 - ▣ 91

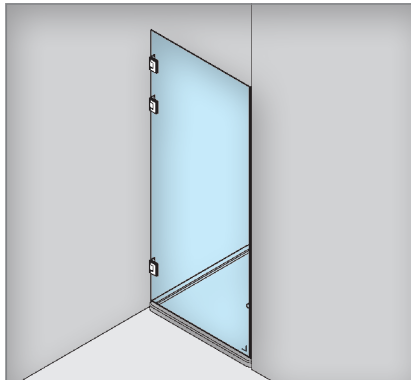
Recess

Stainless steel design

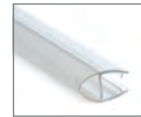
Art.no. 29.4010.001.12

Chrome design

Art.no. 29.4010.001.10



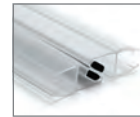
3 x 41.3112.090...
(▣ 61)



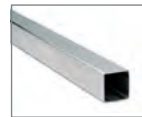
1 x 19.4012.000.01
(▣ 169)



1 x 19.4013.000.00
(▣ 169)



1 x 19.4010.180.01
(▣ 168)



1 x 12.4925.008.12
(▣ 238)



1 x 91.2800.005.00
(▣ 289)

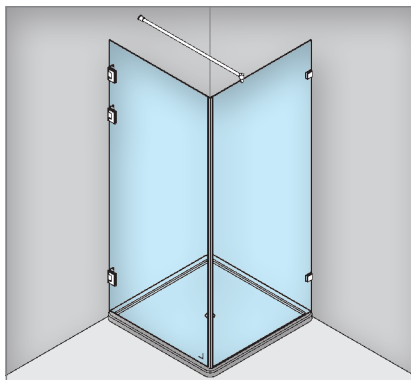
Corner one-sided

Stainless steel design

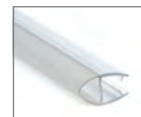
Art.no. 29.4010.002.12

Chrome design

Art.no. 29.4010.002.10



3 x 41.3112.090...
(▣ 61)



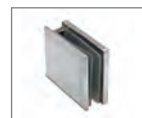
1 x 19.4012.000.01
(▣ 169)



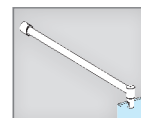
1 x 19.4013.000.00
(▣ 169)



1 x 19.4010.090.01
(▣ 168)



2 x 40.4115.090...
(▣ 99)



1 x 29.6020.019...
(▣ 162)

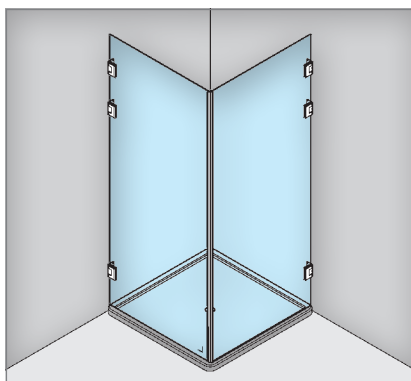
Corner double-sided

Stainless steel design

Art.no. 29.4010.003.12

Chrome design

Art.no. 29.4010.003.10



6 x 41.3112.090...
(▣ 61)



2 x 19.4012.000.01
(▣ 169)



1 x 19.4013.000.00
(▣ 169)



1 x 19.4010.090.01
(▣ 168)

For further details visit: www.g-fittings.com

Shower cubicle - 4011



Stainless steel design / Chrome design

Door weight max. 35 kg
 Door height max. 1950 mm
 Door width max. 900 mm
 Glass 8 mm

INFO optional



▣ 82 - ▣ 91

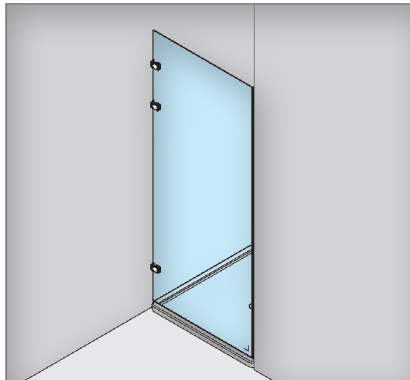
Recess

Stainless steel design

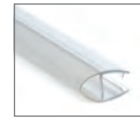
Art.no. 29.4011.001.12

Chrome design

Art.no. 29.4011.001.10



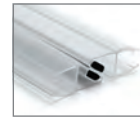
3 x 41.0306.000...
(▣ 29)



1 x 19.4012.000.01
(▣ 169)



1 x 19.4013.000.00
(▣ 169)



1 x 19.4010.180.01
(▣ 168)



1 x 12.4925.008.12
(▣ 238)



1 x 91.2800.005.00
(▣ 289)

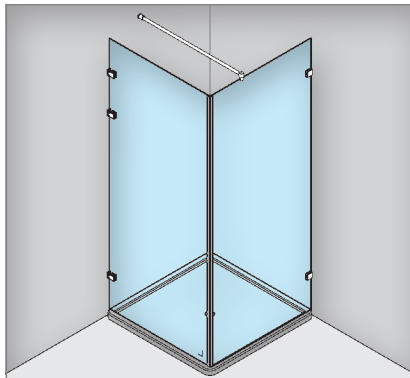
Corner one-sided

Stainless steel design

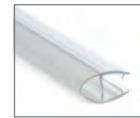
Art.no. 29.4011.002.12

Chrome design

Art.no. 29.4011.002.10



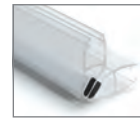
3 x 41.0306.000...
(▣ 29)



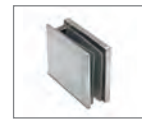
1 x 19.4012.000.01
(▣ 169)



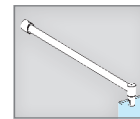
1 x 19.4013.000.00
(▣ 169)



1 x 19.4010.090.01
(▣ 168)



2 x 40.4115.090...
(▣ 99)



1 x 29.6020.019...
(▣ 162)

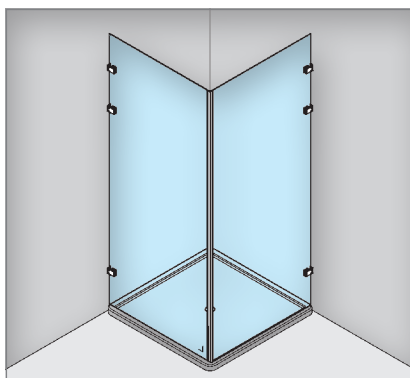
Corner double-sided

Stainless steel design

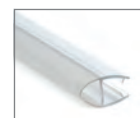
Art.no. 29.4011.003.12

Chrome design

Art.no. 29.4011.003.10



6 x 41.0306.000...
(▣ 29)



2 x 19.4012.000.01
(▣ 169)



1 x 19.4013.000.00
(▣ 169)



1 x 19.4010.090.01
(▣ 168)

For further details visit: www.g-fittings.com

Shower cubicle - 4012



Stainless steel design / Chrome design

Door weight max. 35 kg
 Door height max. 1950 mm
 Door width max. 900 mm
 Glass 8 mm

INFO optional



82 - 91

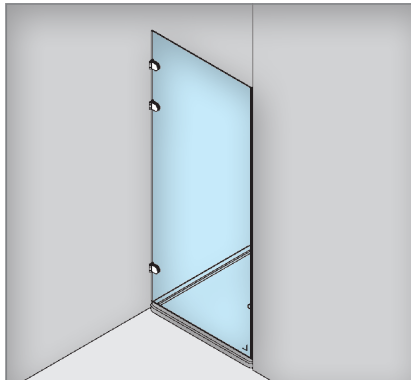
Recess

Stainless steel design

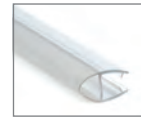
Art.no. 29.4012.001.12

Chrome design

Art.no. 29.4012.001.10



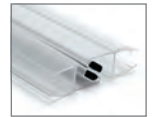
3 x 41.0202.000...
(82)



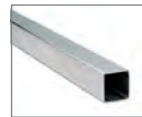
1 x 19.4012.000.01
(169)



1 x 19.4013.000.00
(169)



1 x 19.4010.180.01
(168)



1 x 12.4925.008.12
(238)



1 x 91.2800.005.00
(289)

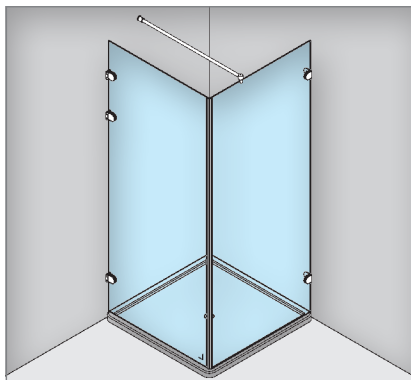
Corner one-sided

Stainless steel design

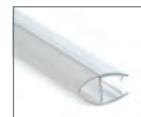
Art.no. 29.4012.002.12

Chrome design

Art.no. 29.4012.002.10



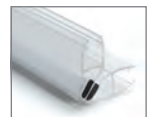
3 x 41.0202.000...
(82)



1 x 19.4012.000.01
(169)



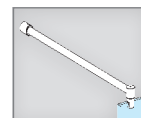
1 x 19.4013.000.00
(169)



1 x 19.4010.090.01
(168)



2 x 40.0102.090...
(99)



1 x 29.6020.019...
(162)

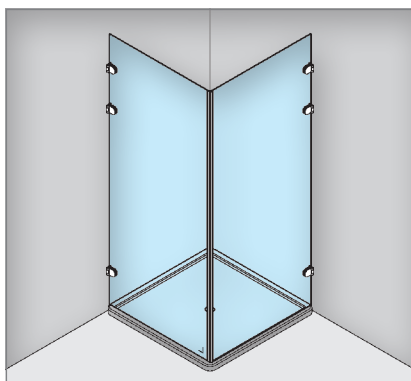
Corner double-sided

Stainless steel design

Art.no. 29.4012.003.12

Chrome design

Art.no. 29.4012.003.10



6 x 41.0202.000...
(82)



2 x 19.4012.000.01
(169)



1 x 19.4013.000.00
(169)



1 x 19.4010.090.01
(168)

For further details visit: www.g-fittings.com

Shower cubicle - 4013



Stainless steel design / Chrome design

Door weight max. 40 kg
 Door height max. 2250 mm
 Door width max. 900 mm
 Glass 8 mm

ADJUST-
ABLE

INFO optional



▣ 82 - ▣ 91

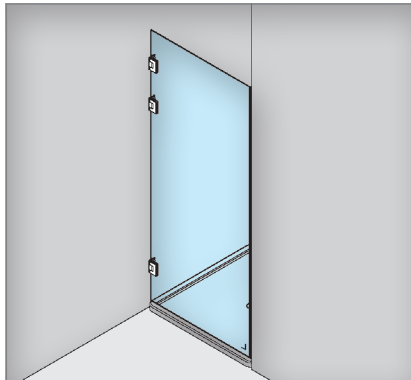
Recess

Stainless steel design

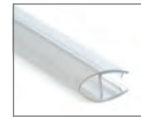
Art.no. 29.4013.001.12

Chrome design

Art.no. 29.4013.001.10



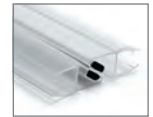
3 x 41.6112.090...
(▣ 62)



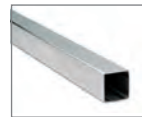
1 x 19.4012.000.01
(▣ 169)



1 x 19.4013.000.00
(▣ 169)



1 x 19.4010.180.01
(▣ 168)



1 x 12.4925.008.12
(▣ 238)



1 x 91.2800.005.00
(▣ 289)

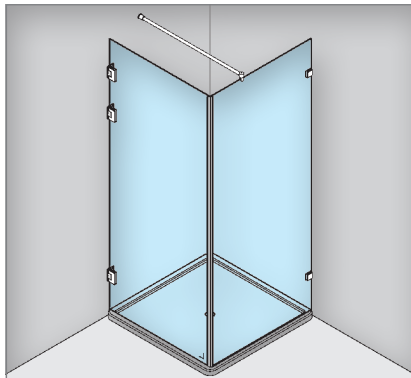
Corner one-sided

Stainless steel design

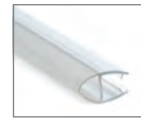
Art.no. 29.4013.002.12

Chrome design

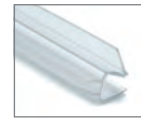
Art.no. 29.4013.002.10



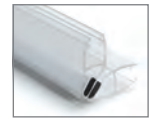
3 x 41.6112.090...
(▣ 62)



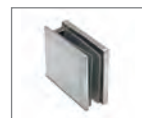
1 x 19.4012.000.01
(▣ 169)



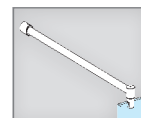
1 x 19.4013.000.00
(▣ 169)



1 x 19.4010.090.01
(▣ 168)



2 x 40.4115.090...
(▣ 99)



1 x 29.6020.019...
(▣ 162)

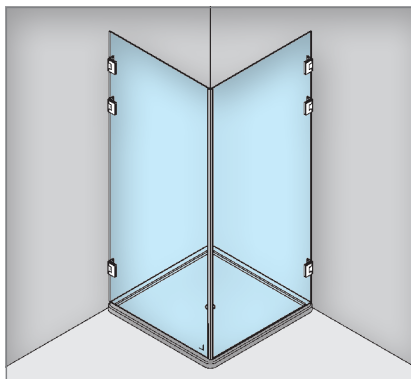
Corner double-sided

Stainless steel design

Art.no. 29.4013.003.12

Chrome design

Art.no. 29.4013.003.10



6 x 41.6112.090...
(▣ 62)



2 x 19.4012.000.01
(▣ 169)



1 x 19.4013.000.00
(▣ 169)



1 x 19.4010.090.01
(▣ 168)

For further details visit: www.g-fittings.com

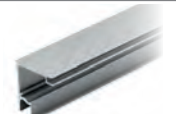
Shower cubicle - 4015



Door weight max. 40 kg
 Door height max. 2500 mm
 Door width max. 800 mm
 Glass 8 mm

INFO Finishes

silver matt
 anodized
Art.no. ...46



chrome
 design
Art.no. ...48



anthracite
 design
Art.no. ...26



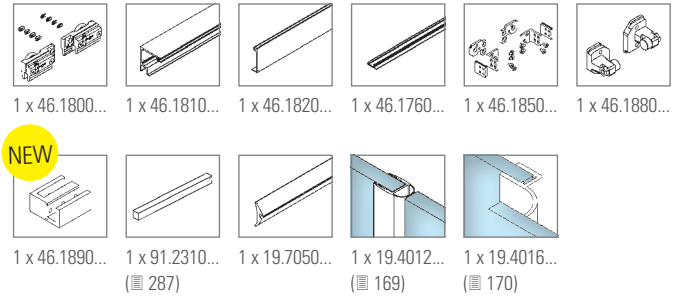
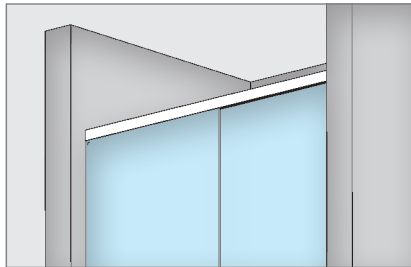
INFO optional



Recess application
Wall / Wall

Art.no. 29.4015.001...

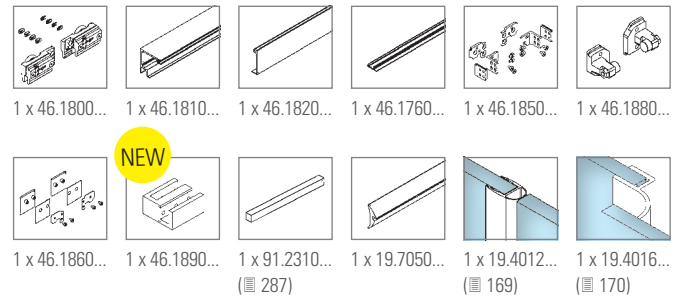
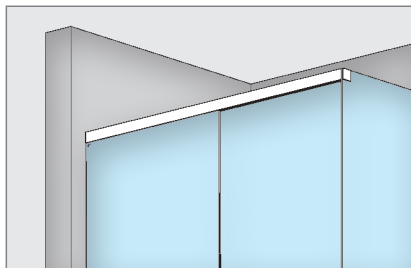
L 1500 mm



Recess application
Wall / Glass

Art.no. 29.4015.002...

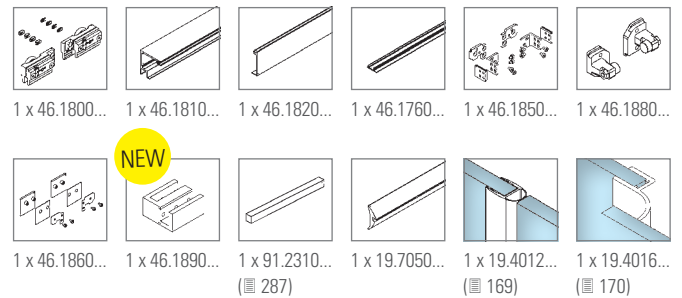
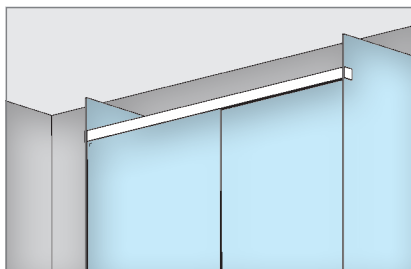
L 1500 mm



Recess application
Glass / Glass

Art.no. 29.4015.003...

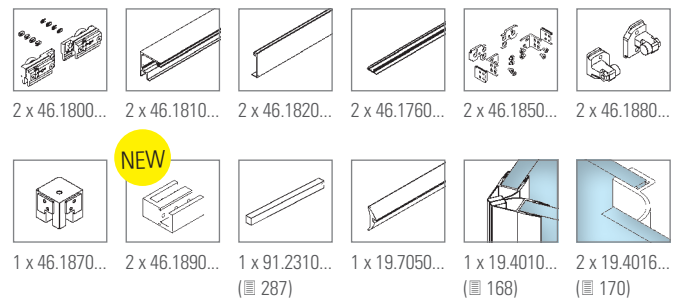
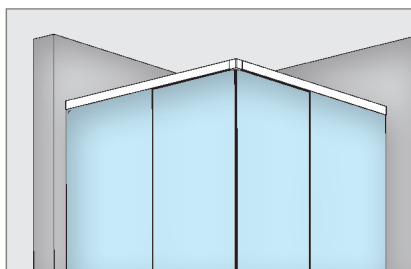
L 1500 mm



Corner application

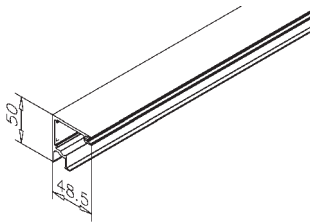
Art.no. 29.4015.004...

L 1200 mm



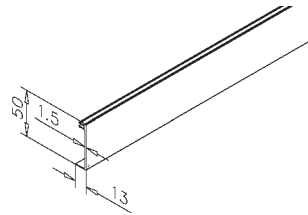
For further details visit: www.g-fittings.com

Running track - 1810



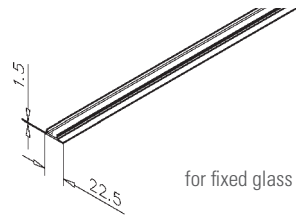
Art.no.	L
46.1810.500...	5000 mm
46.1810.250...	2500 mm
46.1810.200.48	2000 mm
46.1810.999...	cutted

Cover profile - 1820



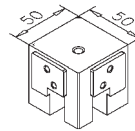
Art.no.	L
46.1820.500...	5000 mm
46.1820.250...	2500 mm
46.1820.200.48	2000 mm
46.1820.999...	cutted

Panel profile - 1760



Art.no.	L
46.1760.500...	5000 mm
46.1760.250...	2500 mm
46.1760.200.48	2000 mm
46.1760.999...	cutted

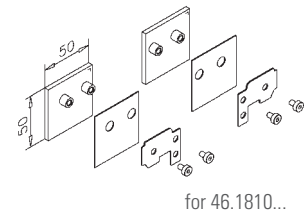
Corner connector 90° - 1870



Art.no.
46.1870.090...

for 46.1810...

End caps (pair) - 1860

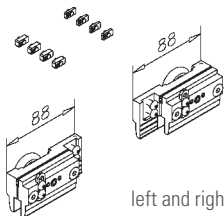


Art.no.
46.1860.000...

INFO Finishes

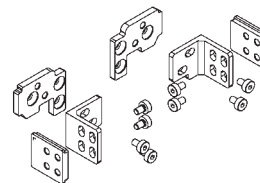
 silver matt anodized Art.no. ...46	 NEW L 2000 mm chrome design Art.no. ...48	 NEW anthracite design Art.no. ...26
-------------------------------------------------------------------------------------------------------------------------------------	----------------------------------------------------------------------------------------------------------------------------------------------------------	-------------------------------------------------------------------------------------------------------------------------------------------------

Trolley set - 1800



plain anodized
Art.no.
46.1800.000.00

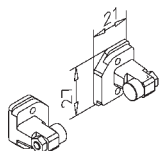
Assembly set - 1850



Art.no.
46.1850.000.00

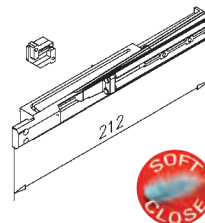
for 46.1810..., left and right

Door stopper set - 1880



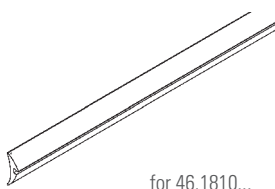
Art.no.
46.1880.000.00

Soft closing mechanism - 1885



Art.no.
46.1885.000.00

Glass gasket profile - 7050

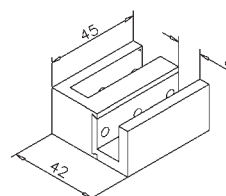


for 46.1810...

TPE black, L 5 m
Art.no.
19.7050.008.00

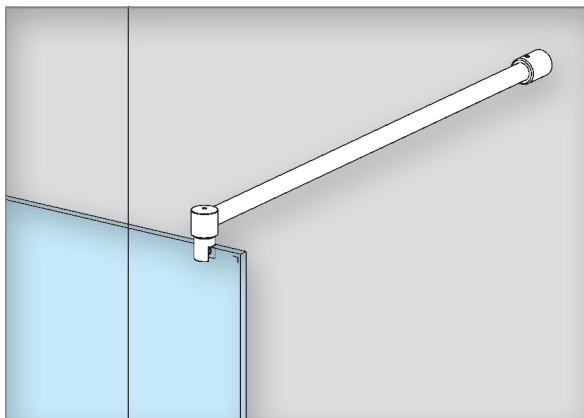
Door sliding guide - 1890

NEW



silver matt anodized	
Art.no.	glass
46.1890.000.46	8 mm

Shower panel stabilisation set - 6018 / 6020 / 6022



wall mounting 90°, Ø 19 mm

NEW

Stainless steel design	Chrome design	Anthracite design	L	glass
Art.no. 29.6018.019.12	Art.no. 29.6018.019.10		1000 mm	6 - 10 mm
29.6020.019.12	29.6020.019.10	29.6020.019.26	1250 mm	6 - 10 mm
29.6022.019.12	29.6022.019.10		1500 mm	6 - 10 mm



1 x
40.0516.019...
(■ 164)



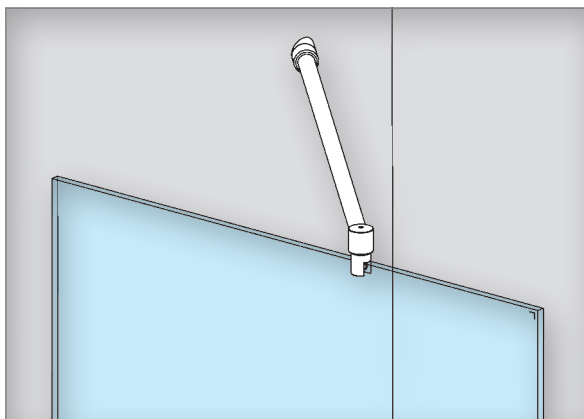
1 x
40.0836.019...
(■ 164)



L 1000 mm: 1 x 12.8910.019...
L 1250 mm: 1 x 12.8912.019...
L 1500 mm: 1 x 12.8915.019...
(■ 165)

Shower panel stabilisation set - 6017 / 6019 / 6021

5



wall mounting 45°, Ø 19 mm

Stainless steel design	Chrome design	L	glass
Art.no. 29.6017.019.12	Art.no. 29.6017.019.10	250 mm	6 - 10 mm
29.6019.019.12	29.6019.019.10	1000 mm	6 - 10 mm
29.6021.019.12	29.6021.019.10	1250 mm	6 - 10 mm



1 x
40.0626.019...
(■ 164)

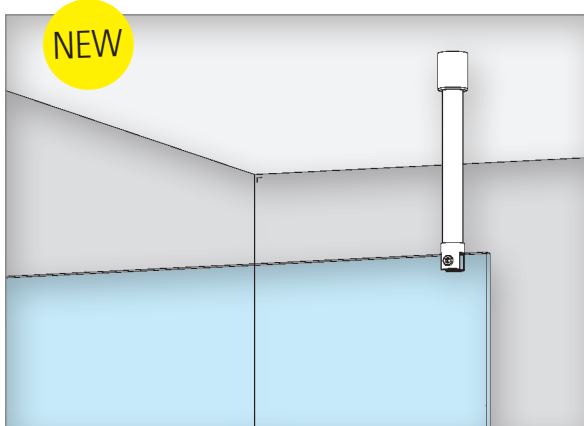


1 x
40.0836.019...
(■ 164)



L 250 mm: 1 x 12.8902.019...
L 1000 mm: 1 x 12.8910.019...
L 1250 mm: 1 x 12.8912.019...
(■ 165)

Shower panel stabilisation set - 6015



NEW

ceiling mounting, Ø 19 mm

Stainless steel design	Chrome design	L	glass
Art.no. 29.6015.019.12	Art.no. 29.6015.019.10	250 mm	6 - 10 mm



1 x
40.0516.019...
(■ 164)

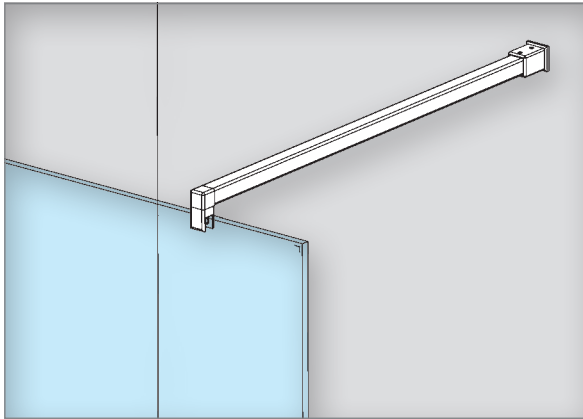


1 x
40.0837.019...
(■ 164)



1 x
12.8902.019...
(■ 165)

Shower panel stabilisation set - 6418 / 6420 / 6422



wall mounting 90°, □ 20 x 20 mm

Stainless steel design

Chrome design

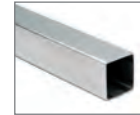
Art.no.	Art.no.	L	glass
29.6418.020.12	29.6418.020.10	1000 mm	6 - 10 mm
29.6420.020.12	29.6420.020.10	1250 mm	6 - 10 mm
29.6422.020.12	29.6422.020.10	1500 mm	6 - 10 mm



1 x
40.0515.420...
(■ 166)

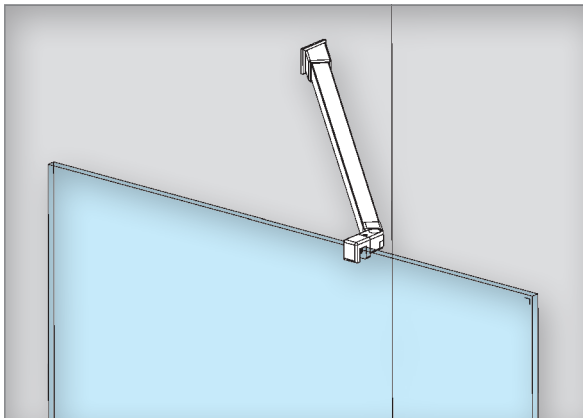


1 x
40.0836.420...
(■ 166)



L 1000 mm: 1 x 12.8910.420...
L 1250 mm: 1 x 12.8912.420...
L 1500 mm: 1 x 12.8915.420...
(■ 167)

Shower panel stabilisation set - 6417 / 6419 / 6421



wall mounting 45°, □ 20 x 20 mm

Stainless steel design

Chrome design

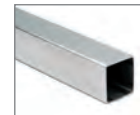
Art.no.	Art.no.	L	glass
29.6417.020.12	29.6417.020.10	250 mm	6 - 10 mm
29.6419.020.12	29.6419.020.10	1000 mm	6 - 10 mm
29.6421.020.12	29.6421.020.10	1250 mm	6 - 10 mm



1 x
40.0626.420...
(■ 166)

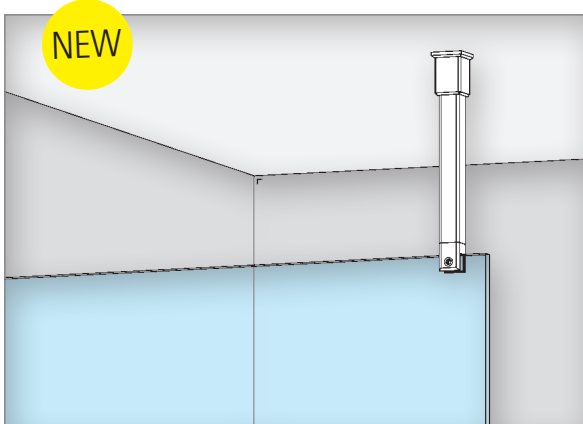


1 x
40.0312.420...
(■ 167)



L 250 mm: 1 x 12.8902.420...
L 1000 mm: 1 x 12.8910.420...
L 1250 mm: 1 x 12.8912.420...
(■ 167)

Shower panel stabilisation set - 6415



ceiling mounting, □ 20 x 20 mm

Stainless steel design

Chrome design

Art.no.	Art.no.	L	glass
29.6415.020.12	29.6415.020.10	250 mm	6 - 10 mm



1 x
40.0515.420...
(■ 166)



1 x
40.0837.420...
(■ 166)



1 x
12.8902.420...
(■ 167)

Tube holder - 836



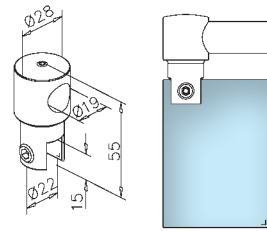
closed, Ø 19 mm

Stainless steel design

Chrome design

NEW

Anthracite design



Art.no.	Art.no.	Art.no.	glass
40.0836.019.20	40.0836.019.23	40.0836.019.26	6 - 10 mm



Tube holder - 835

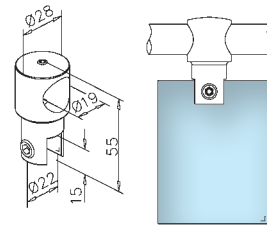


open, Ø 19 mm

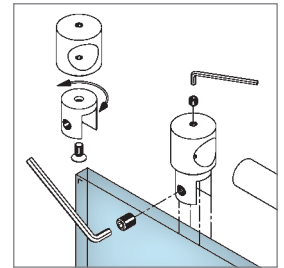
Stainless steel design

Chrome design

glass



Art.no.	Art.no.	glass
40.0835.019.20	40.0835.019.23	6 - 10 mm



Tube holder - 837



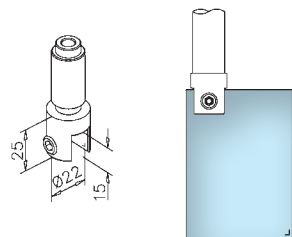
NEW

Ø 19 mm

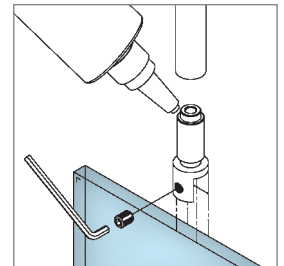
Stainless steel design

Chrome design

glass



Art.no.	Art.no.	glass
40.0837.019.20	40.0837.019.23	6 - 10 mm



Tube mounting bracket - 626



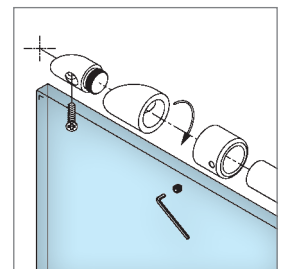
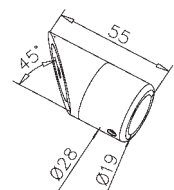
45°, Ø 19 mm

Stainless steel design

Chrome design

Art.no.
40.0626.019.12

Art.no.
40.0626.019.10



Tube mounting bracket - 516



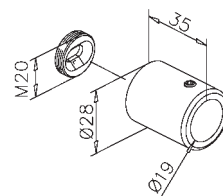
90°, Ø 19 mm

Stainless steel design

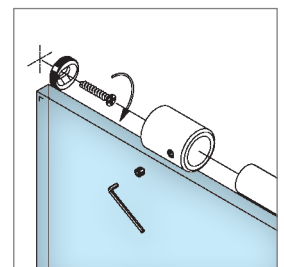
Chrome design

NEW

Anthracite design



Art.no.	Art.no.	Art.no.
40.0516.019.12	40.0516.019.10	40.0516.019.26



Tube joint - 312



adjustable, Ø 19 mm

Stainless steel design

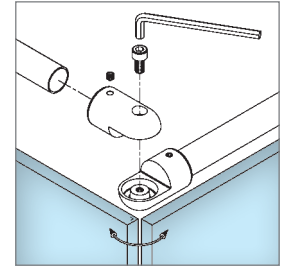
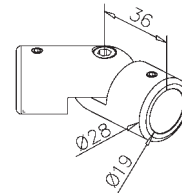
Art.no.

40.0312.019.12

Chrome design

Art.no.

40.0312.019.10



Tubes



Stainless steel design

Art.no.

12.8902.019.12

12.8910.019.12

12.8912.019.12

12.8915.019.12

12.8925.019.12

12.8900.019.12

Chrome design

Art.no.

12.8902.019.10

12.8910.019.10

12.8912.019.10

12.8915.019.10

12.8925.019.10

12.8900.019.10

NEW

Anthracite design

Art.no.

11.8912.019.26

11.8925.019.26

11.8925.019.26

11.8925.019.26

11.8925.019.26

11.8900.019.26

L

250 mm

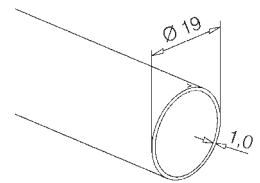
1000 mm

1250 mm

1500 mm

2500 mm

cutted



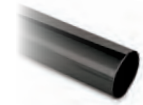
INFO Finishes



Stainless steel design

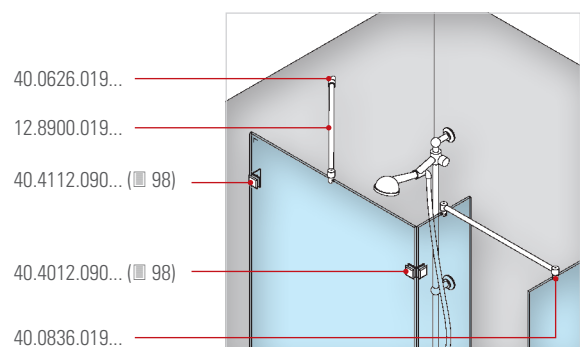
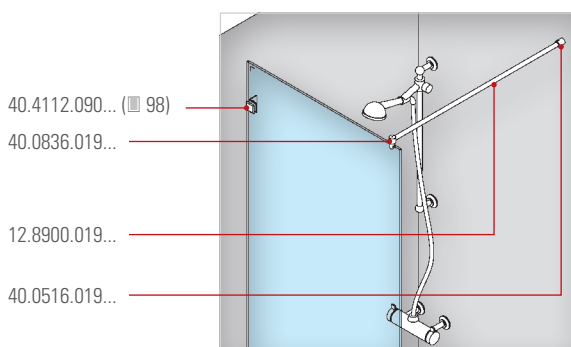


Chrome design



Anthracite design

INFO Partition walls

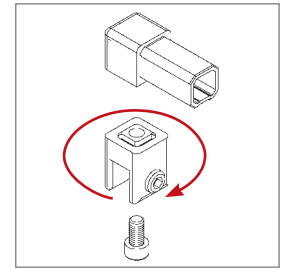
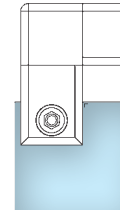
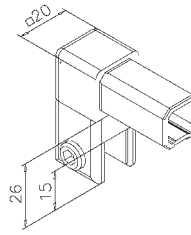


Tube holder - 836 / 420



closed, □ 20 x 20 mm

Stainless steel design	Chrome design	glass
Art.no. 40.0836.420.12	Art.no. 40.0836.420.10	6 - 10 mm

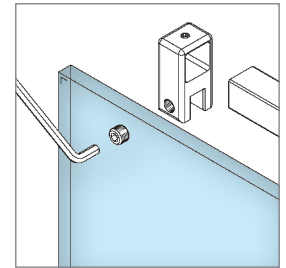
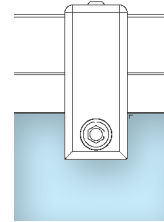
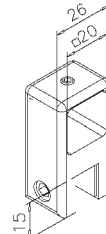


Tube holder - 835 / 420



open, □ 20 x 20 mm

Stainless steel design	Chrome design	glass
Art.no. 40.0835.420.12	Art.no. 40.0835.420.10	6 - 10 mm



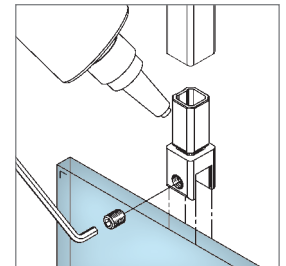
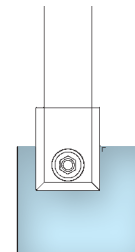
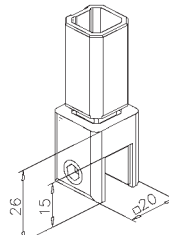
5 Tube holder - 837 / 420



NEW

□ 20 x 20 mm

Stainless steel design	Chrome design	glass
Art.no. 40.0837.420.12	Art.no. 40.0837.420.10	6 - 10 mm

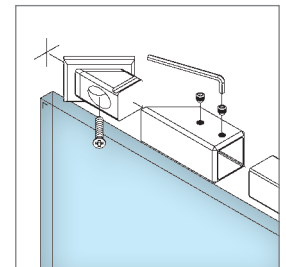
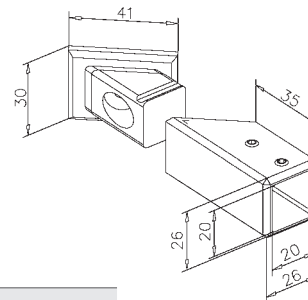


Tube mounting bracket - 626 / 420



45°, □ 20 x 20 mm

Stainless steel design	Chrome design
Art.no. 40.0626.420.12	Art.no. 40.0626.420.10

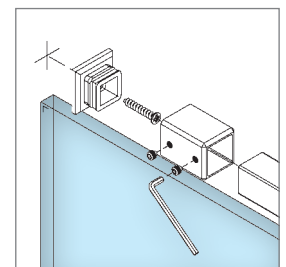
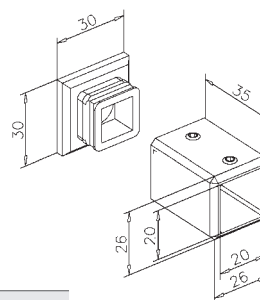


Tube mounting bracket - 515 / 420



90°, □ 20 x 20 mm

Stainless steel design	Chrome design
Art.no. 40.0515.420.12	Art.no. 40.0515.420.10



Tube holder - 312 / 420



adjustable, □ 20 x 20 mm

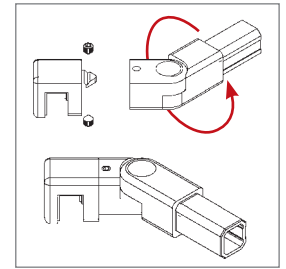
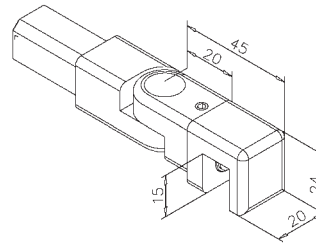
Stainless steel design

Art.no.
40.0312.420.12

Chrome design

Art.no.
40.0312.420.10

glass
6 - 10 mm



Square tubes



Stainless steel design

Art.no.

12.8902.420.12

12.8910.420.12

12.8912.420.12

12.8915.420.12

12.4925.020.12

12.4890.020.12

Chrome design

Art.no.

12.8902.420.10

12.8910.420.10

12.8912.420.10

12.8915.420.10

12.4925.020.10

12.4890.020.10

L

250 mm

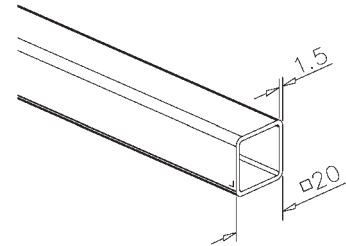
1000 mm

1250 mm

1500 mm

2500 mm

cutted



INFO Finishes

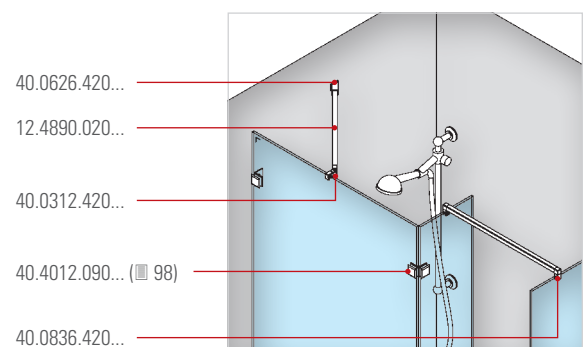
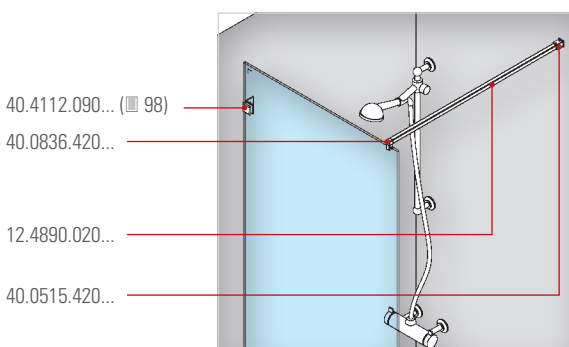


Stainless steel design

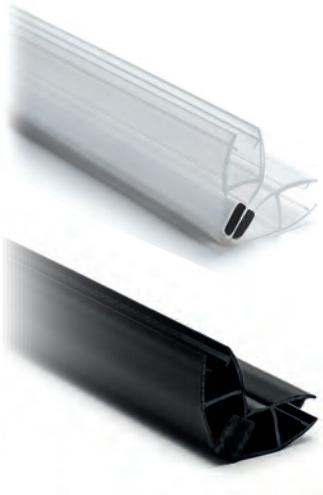


Chrome design

INFO Partition walls



Magnetic seal - 4010 / 090



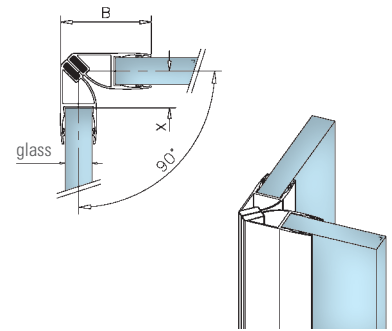
90°, PVC (pair)

Art.no.	glass	B	X	L
19.4010.090.01	8 mm	26 mm	12 mm	2500 mm
19.4010.090.00	10 mm	28 mm	10 mm	2500 mm

90°, PVC black (pair)

Art.no.	glass	B	X	L
19.4010.090.61	8 mm	26 mm	12 mm	2500 mm

NEW

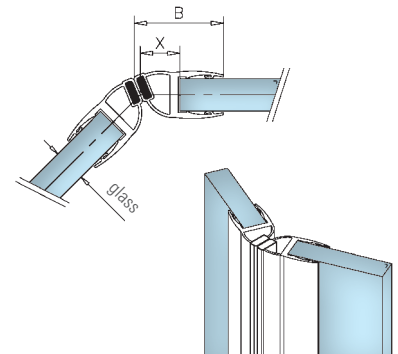


Magnetic seal - 4010 / 135

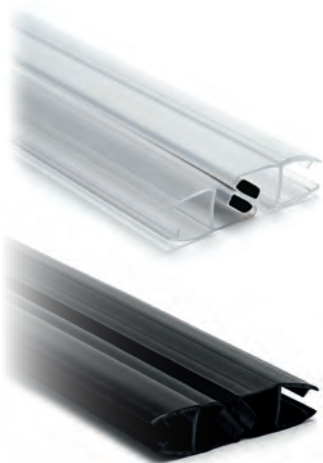


135°, PVC (pair)

Art.no.	glass	B	X	L
19.4010.135.01	8 mm	25 mm	12 mm	2500 mm
19.4010.135.00	10 mm	25 mm	12 mm	2500 mm



Magnetic seal - 4010 / 180



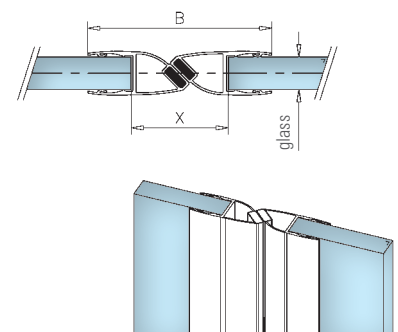
180°, PVC (pair)

Art.no.	glass	B	X	L
19.4010.180.01	8 mm	42 mm	22 mm	2500 mm
19.4010.180.00	10 mm	45 mm	22 mm	2500 mm

180°, PVC black (pair)

Art.no.	glass	B	X	L
19.4010.180.61	8 mm	42 mm	22 mm	2500 mm

NEW



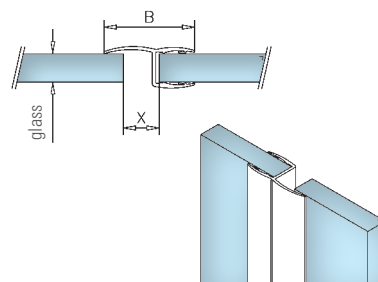
5

Seal lip - 4011

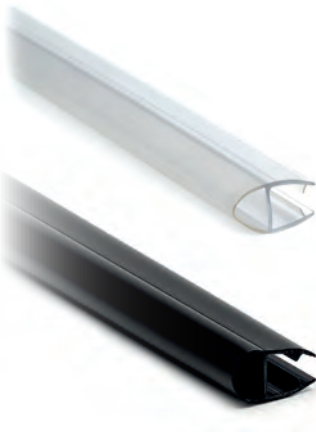


for glass door, PVC

Art.no.	glass	B	X	L
19.4011.000.01	8 mm	28 mm	5 - 10 mm	2500 mm
19.4011.000.00	10 mm	28 mm	5 - 12 mm	2500 mm



Stripe lip - 4012



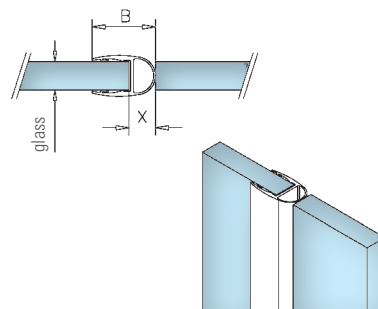
for glass door, PVC

Art.no.	glass	B	X	L
19.4012.000.01	8 mm	18 mm	7 mm	2500 mm
19.4012.000.00	10 mm	18 mm	7 mm	2500 mm

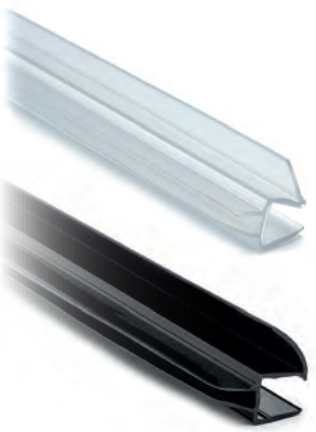
for glass door, PVC black

Art.no.	glass	B	X	L
19.4012.000.61	8 mm	18 mm	7 mm	2500 mm

NEW



Seal - 4013



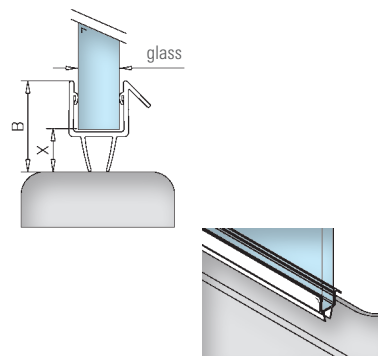
for glass door, PVC

Art.no.	glass	B	X	L
19.4013.000.00	8-10 mm	22 mm	8 mm	2500 mm

for glass door, PVC black

Art.no.	glass	B	X	L
19.4013.000.60	8-10 mm	22 mm	8 mm	2500 mm

NEW

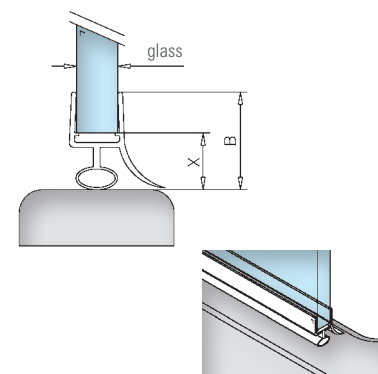


Seal - 4014



for glass door, PVC

Art.no.	glass	B	X	L
19.4014.000.00	6 - 8 mm	20 mm	10 mm	2500 mm

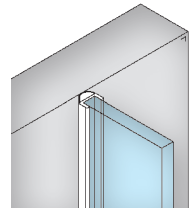
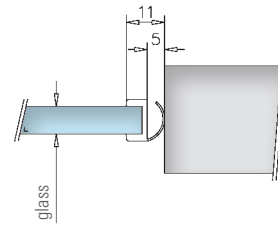


Seal lip - 4015

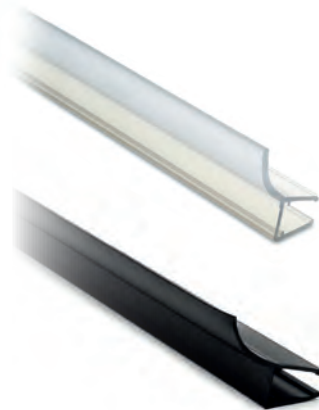


for glass door, PVC

Art.no.	glass	L
19.4015.000.01	8 mm	2500 mm
19.4015.000.02	10 mm	2500 mm



Seal lip - 4016



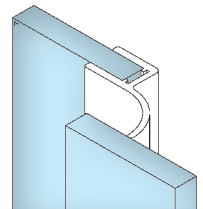
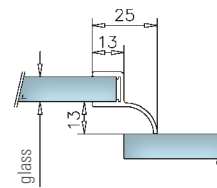
for glass door, PVC

Art.no.	glass	L
19.4016.000.01	6 - 8 mm	2500 mm

for glass door, PVC black

Art.no.	glass	L
19.4016.000.61	6 - 8 mm	2500 mm

NEW

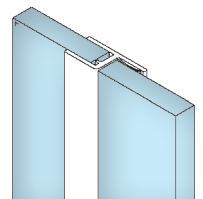
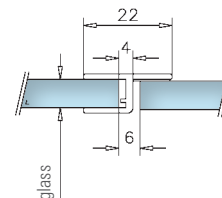


Seal lip - 4017



front rabbet 180°, for glass door, PVC

Art.no.	glass	L
19.4017.000.01	8 mm	2500 mm
19.4017.000.00	10 mm	2500 mm

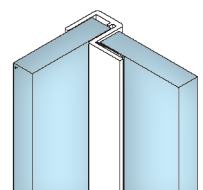
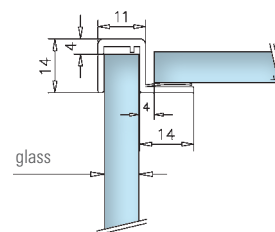


Seal lip - 4018



corner rabbet 90°, for glass door, PVC

Art.no.	glass	L
19.4018.000.01	6 - 8 mm	2500 mm



Stripe lip - 4023

NEW

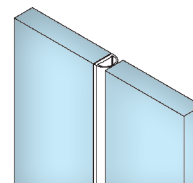
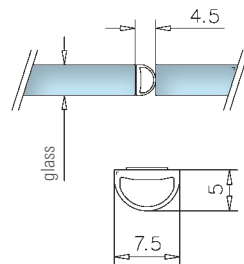


for glass door, self-adhesive, PVC

Art.no.	glass	L
19.4023.000.01	8 - 10 mm	5000 mm

for glass door, self-adhesive, PVC black

Art.no.	glass	L
19.4023.000.61	8 - 10 mm	5000 mm

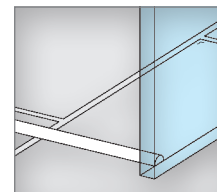
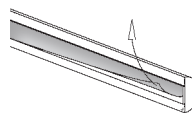
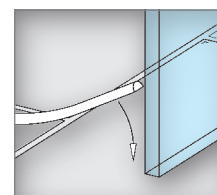
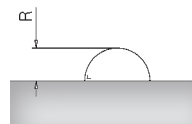


Threshold profile - 4030



semicircular, self-adhesive, acryl transparent

Art.no.	L	R
19.4030.005.00	2500 mm	5 mm
19.4030.010.00	2500 mm	10 mm



Bonding tape - 2810



for glass walls, L 12 m

Art.no.	glass	B
91.2810.006.00	8 - 8,76 mm	6 mm
91.2810.007.00	10 - 10,76 mm	7 mm
91.2810.009.00	12 - 12,76 mm	9 mm
91.2810.013.00	16,76 - 17,52 mm	13 mm

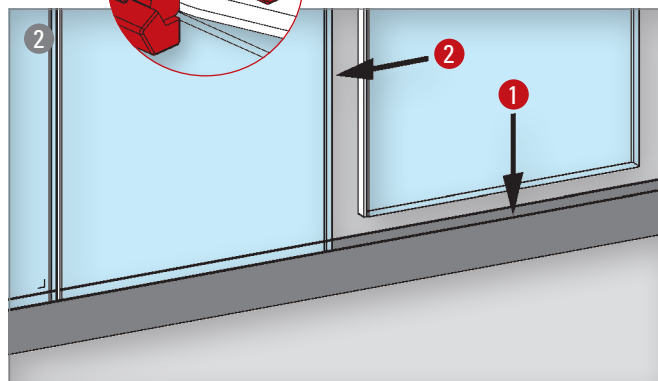
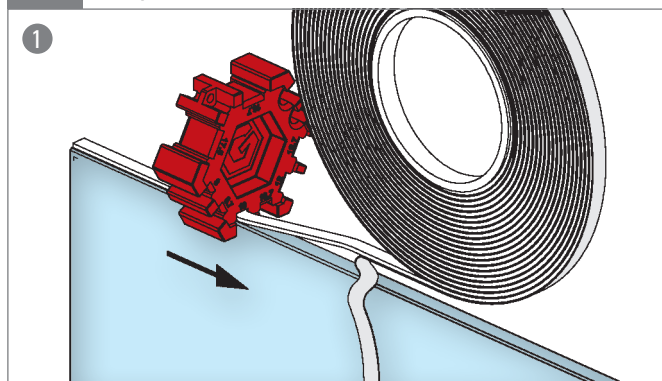
INFO Mounting



Applicator -
for bonding tape

Art.no.
91.2910.000.00 (■ 107)

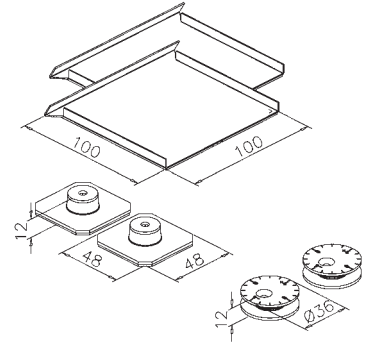
INFO 2810 / 2910



Mirror fixation kit - 5108



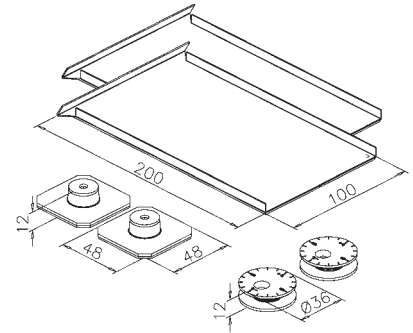
Art.no.	mirror
48.5108.000.00	max. 0,8 m ²



Mirror fixation kit - 5116

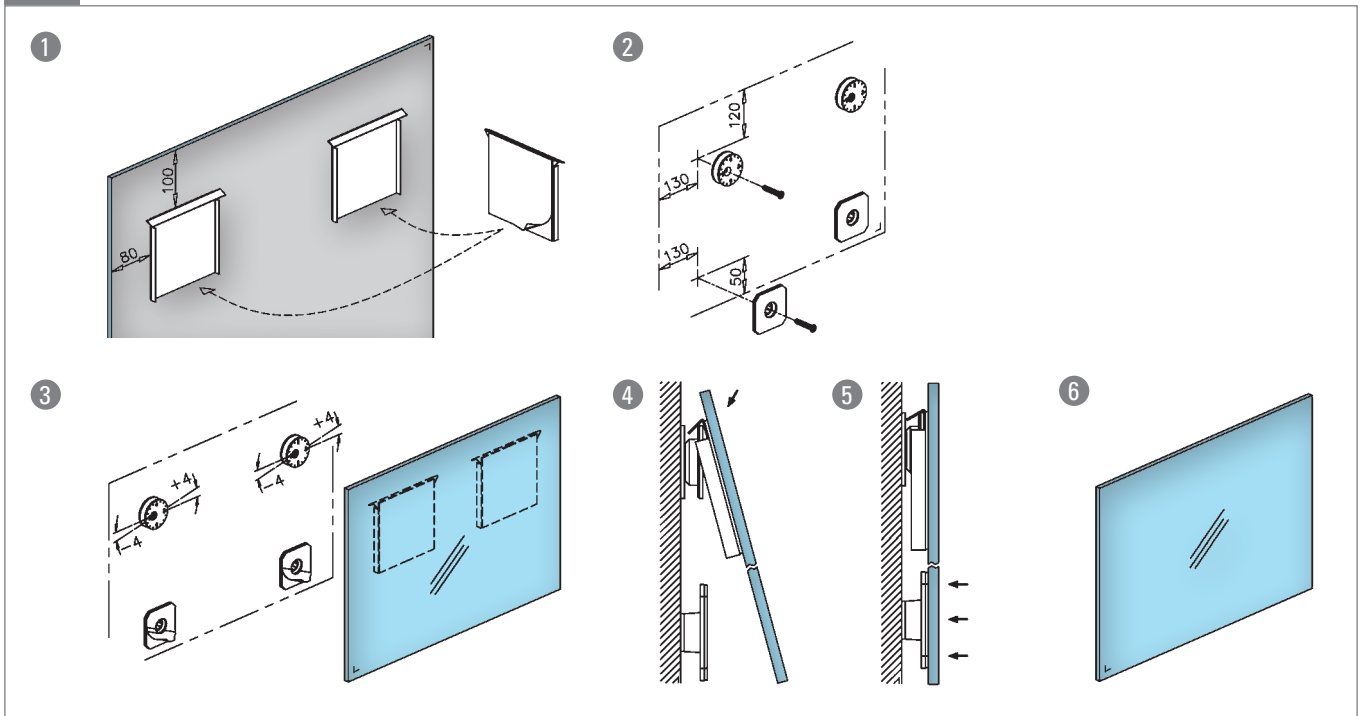


Art.no.	mirror
48.5116.000.00	max. 1,6 m ²

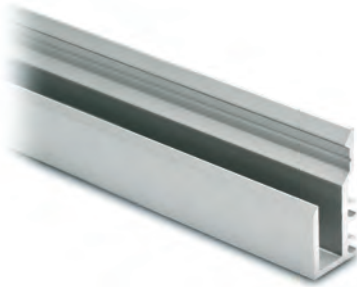


5

INFO Mirror fixation kit

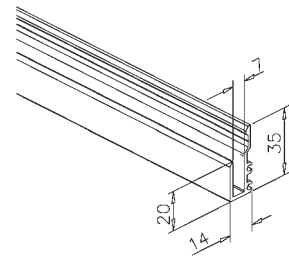


Mirror profile - 5535



aluminium, silver matt anodized

Art.no.	L
48.5535.500.46	5000 mm
48.5535.250.46	2500 mm
48.5535.000.46	cutted

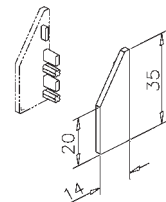


End cap - 5732 / 5733



grey

Art.no.	
48.5732.000.46	right
48.5733.000.46	left

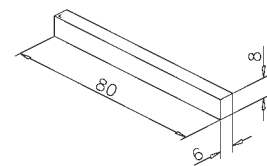


Mountingspacer - 5600



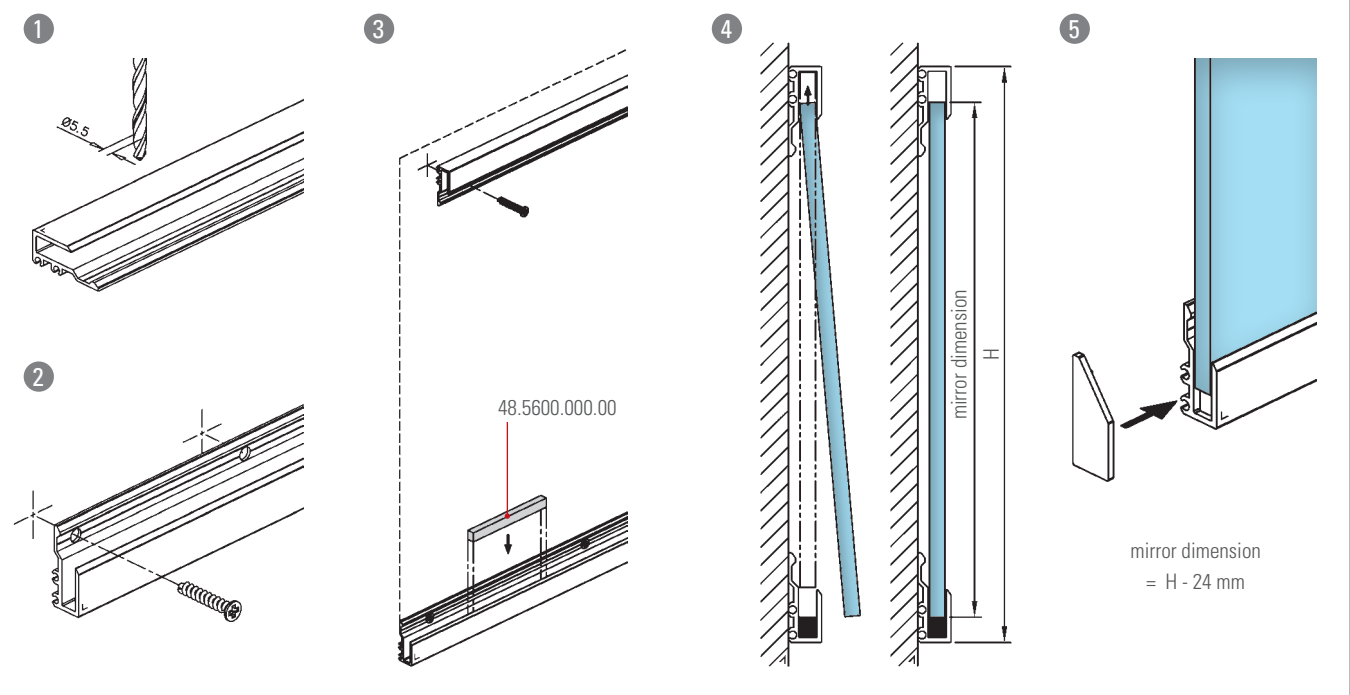
wood, black (100 pieces)

Art.no.
48.5600.000.00



5

INFO Mirror profile

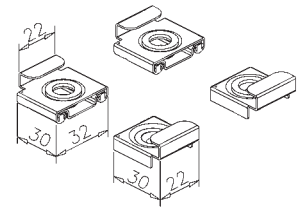


Mirror clips - 5400

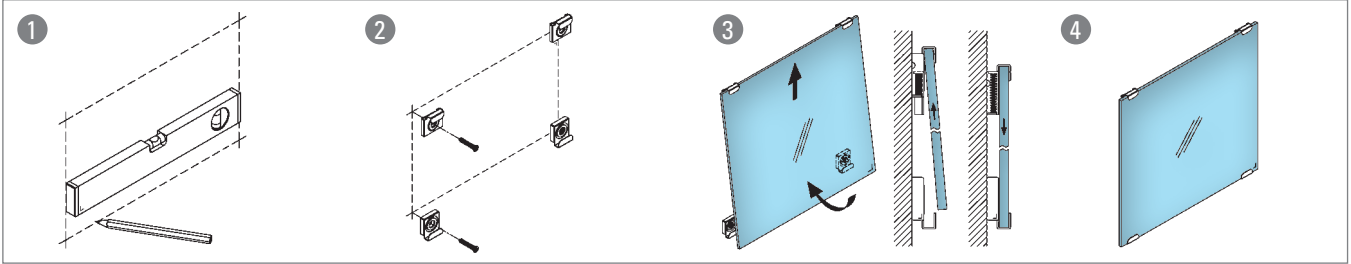


with cork inlay and coil
Chrome design

Art.no.
48.5400.000.00



INFO 48.5400.000.00



5

Mirror demisting pad - 52...



self-adhesive, 230 V

Art.no.	H x B	
48.5215.200.00	150 x 200 mm	5,5 Watt
48.5227.274.00	274 x 274 mm	12,5 Watt
48.5227.574.00	274 x 574 mm	26 Watt
48.5241.100.00	410 x 1000 mm	76 Watt
48.5241.400.00	410 x 400 mm	30 Watt
48.5241.600.00	410 x 600 mm	46 Watt
48.5252.102.00	524 x 1024 mm	100 Watt
48.5252.524.00	524 x 524 mm	50 Watt
48.5252.800.00	524 x 800 mm	80 Watt

Mirror adhesive tape - 5000



PE, 19,0 x 1,0 mm

Art.no.
48.5000.005.00 L 5 m
48.5000.066.00 L 66 m

Mirror adhesive - 5010



OttoColl S 16

Art.no.
48.5010.000.00 310 ml

Mirror mounting set - 6200



Ø 19 mm

Stainless steel design

Chrome design

Art.no.

Art.no.

29.6200.019.20

29.6200.019.17



4 pieces
48.5300.019...



4 pieces
48.5310.008.00



4 pieces
48.5320.440.00

Mirror screws - 5300

100 pieces



Stainless steel design

Chrome design

Art.no.

Art.no.

Ø

48.5300.016.20

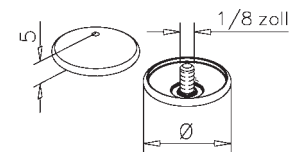
48.5300.016.17

16 mm

48.5300.019.20

48.5300.019.17

19 mm



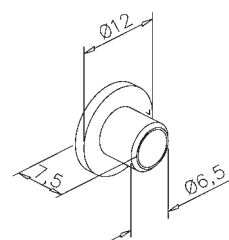
Spacers - 5310

100 pieces

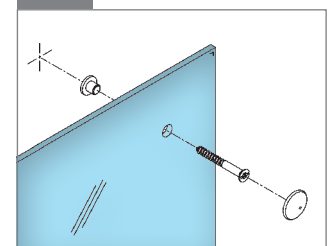


Art.no.

48.5310.008.00



INFO Mirror screws



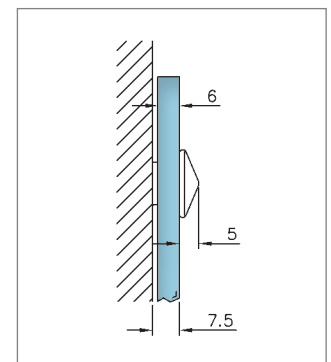
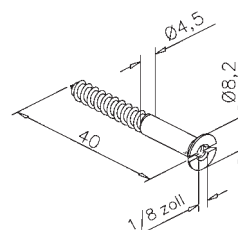
Wood screws - 5320

100 pieces
with inner thread, iron

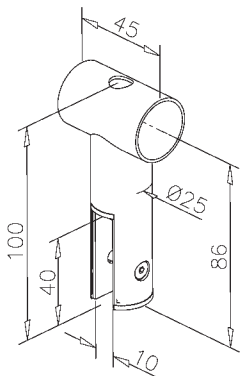


Art.no.

48.5320.440.00



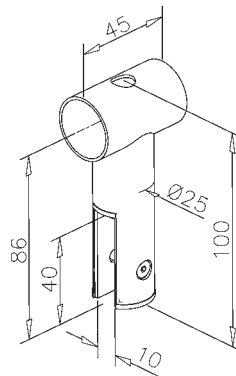
Upper panel holder 90° - 5834



Stainless steel design

Art.no.	glass
40.5834.025.12	10 mm

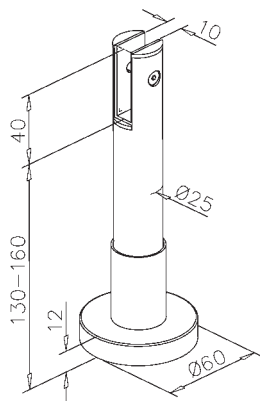
Upper panel holder 180° - 5835



Stainless steel design

Art.no.	glass
40.5835.025.12	10 mm

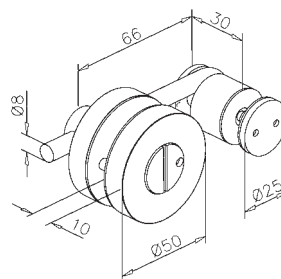
Adjustable foot - 5506



Stainless steel design

Art.no.	glass
40.5506.025.12	10 mm

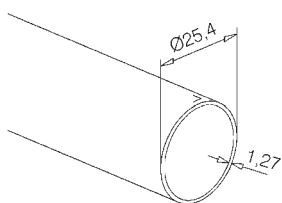
Door lock - 5001



Stainless steel design

Art.no.	glass
40.5001.050.12	8 - 10 mm

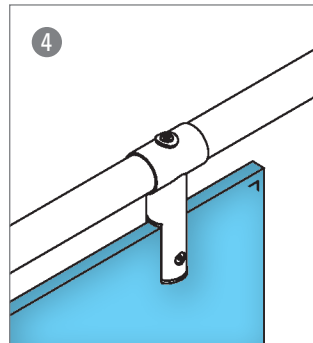
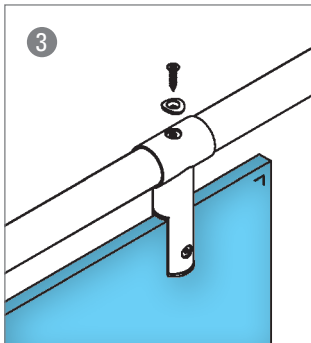
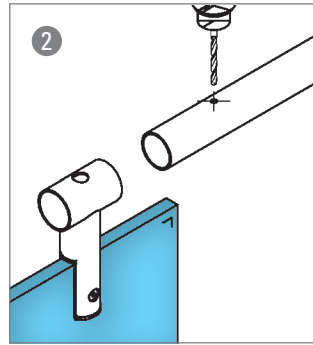
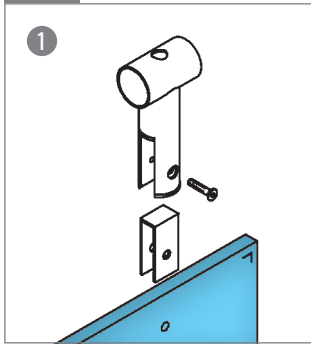
Tube - 900



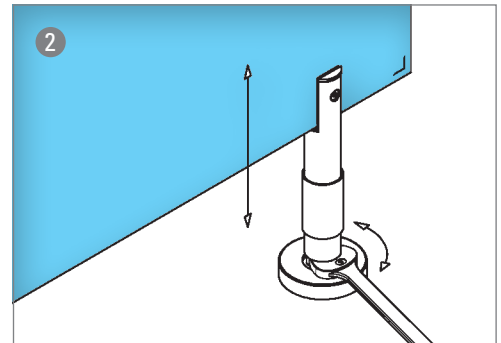
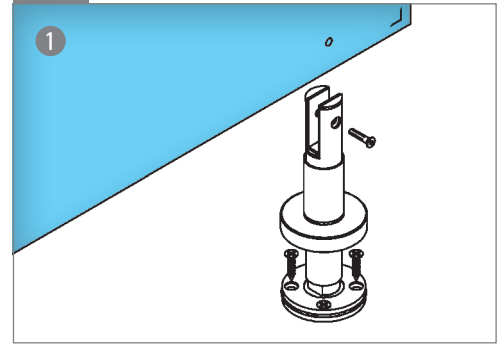
Stainless steel design

Art.no.	L
12.8900.025.12	cutted

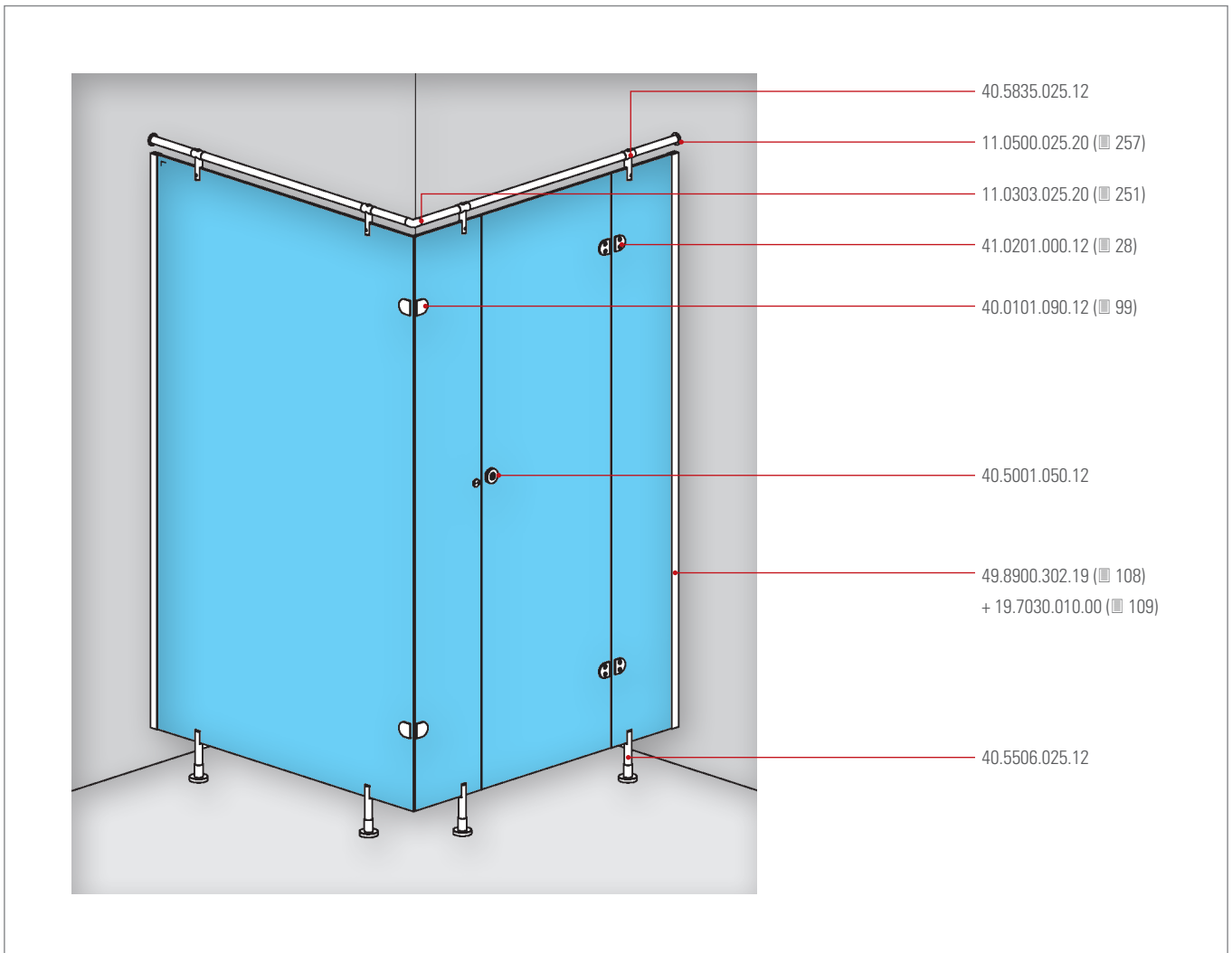
INFO 40.5835.025.12



INFO 40.5506.025.12



5





• BLUE CHEESE
• VINEGRETTE

• GRÄSÖK
• RHODE ISLAND
• SENARS PRESSING

Foto: Lobelius Interiör, Sweden



6 Sneeze guards **180**



6 Shelf supports **186**



6 Showcase systems **188**



6 Display systems **194**



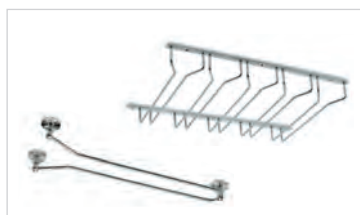
6 Bar accessories **203**



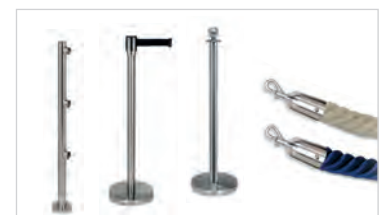
6 Table bases **204**



6 Wardrobes and hooks **205**



6 Glass racks **208**



6 Crowd control and accessories **210**



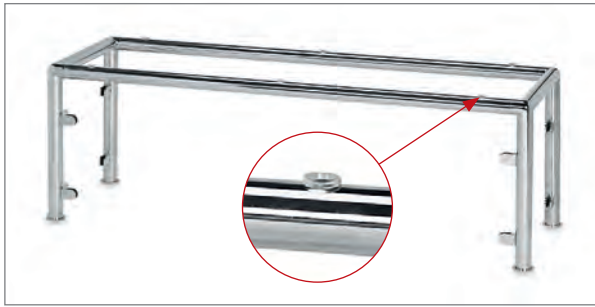
6 Mini rail - System **214**



6 Bottle shelves **224**

6

Sneeze guard - 010



Ø 25,4 mm / Ø 38,1 mm

INFO Finishes



Stainless steel design
Art.no. ...20



Chrome design
Art.no. ...23



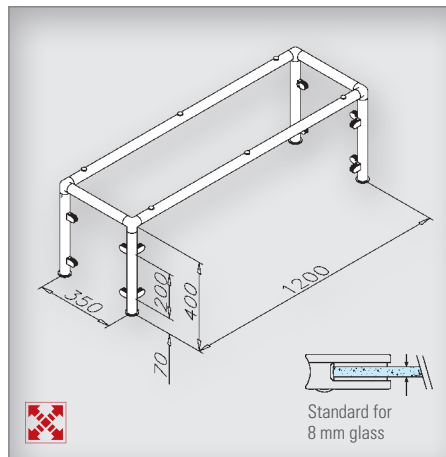
Brass design
Art.no. ...22



Anthracite design
Art.no. ...26

Model 010

Ø	Art.no.
25,4 mm (1")	20.0100.025...
38,1 mm (1,5")	20.0100.038...



4 x
11.0500...
(■ 257)



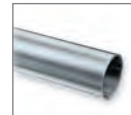
4 x
11.0304...
(■ 252)



12 x
10.2708...
(■ 145)



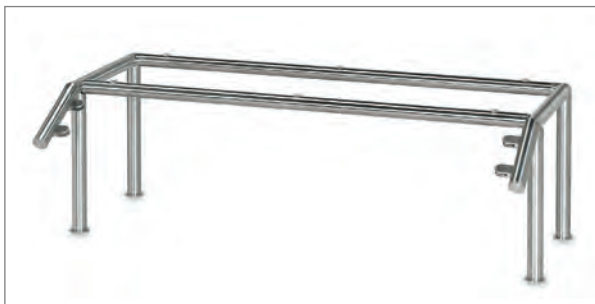
6 x
19.6010.020.00
(■ 280)



8 x
11/12.8900...
(■ 239)

6

Sneeze guard - 020



Ø 38,1 mm

INFO Finishes



Stainless steel design
Art.no. ...20



Chrome design
Art.no. ...23



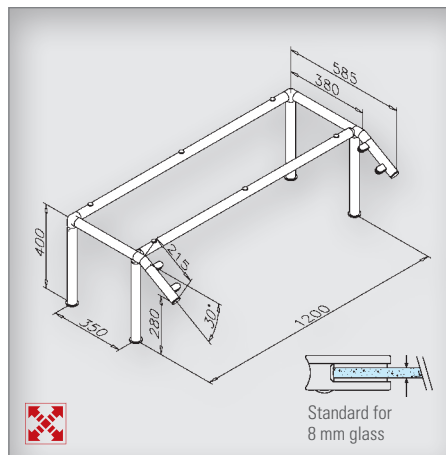
Brass design
Art.no. ...22



Anthracite design
Art.no. ...26

Model 020

Ø	Art.no.
38,1 mm (1,5")	20.0200.038...



4 x
11.0500.038...
(■ 257)



2 x
11.0304.038...
(■ 252)



2 x
11/12.0311.038...
(■ 250)



4 x
11.0727.038...
(■ 256)



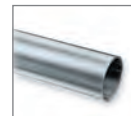
4 x
10.2708.038...
(■ 145)



2 x
11.0732.038...
(■ 264)

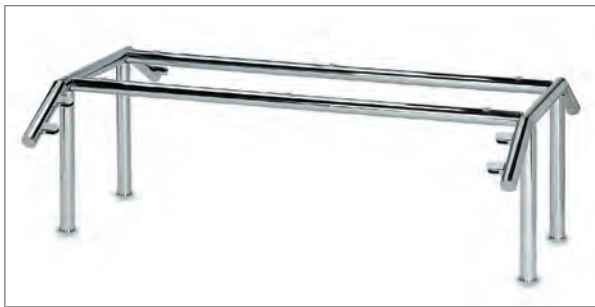


6 x
19.6010.020.00
(■ 280)



10 x
11/12.8900.038...
(■ 239)

Sneeze guard - 030



Ø 38,1 mm

INFO Finishes



Stainless steel design
Art.no. ...20



Chrome design
Art.no. ...23



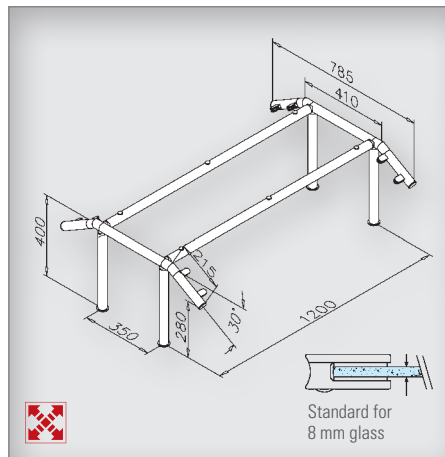
Brass design
Art.no. ...22



Anthracite design
Art.no. ...26

Model 030

Ø	Art.no.
38,1 mm (1,5")	20.0300.038...



4 x
11.0500.038...
(■ 257)



4 x
11/12.0311.038...
(■ 250)



8 x
11.0727.038...
(■ 256)



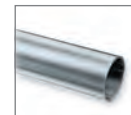
8 x
10.2708.038...
(■ 145)



4 x
11.0732.038...
(■ 264)



6 x
19.6010.020.00
(■ 280)



12 x
11/12.8900.038...
(■ 239)



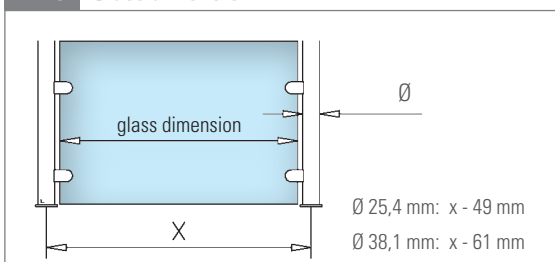
- ⇒ production according to order
- ⇒ other dimensions possible

INFO optional



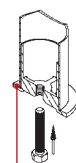
Toughened glass / Laminated glass
(■ 273)

INFO Glass dimension



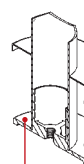
INFO Floor fixations

A standard



11.0500... (■ 257)

B optional

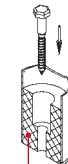


11.0504...
(■ 259)

NEW

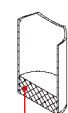
11/12.0512...
(■ 259)

C optional



18.0106... (■ 269)

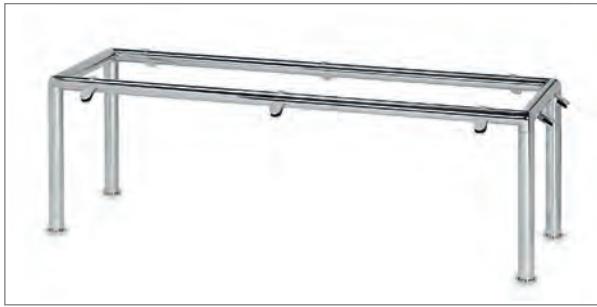
D optional



18.0100... (■ 268)

Sneeze guards

Sneeze guard - 040



Ø 25,4 mm / Ø 38,1 mm

INFO Finishes



Stainless steel design
Art.no. ...20



Chrome design
Art.no. ...23



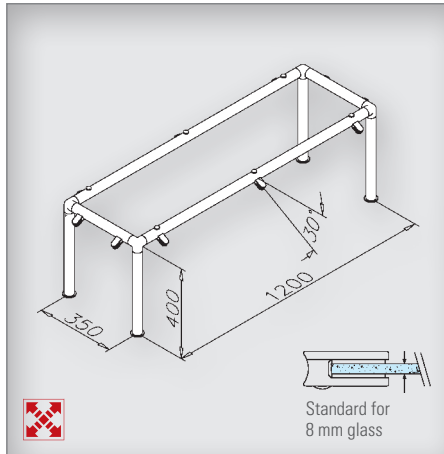
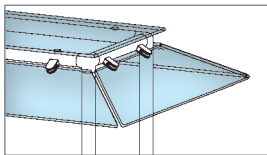
Brass design
Art.no. ...22



Ø 38,1
Anthracite design
Art.no. ...26

Model 040

Ø	Art.no.
25,4 mm (1")	20.0400.025...
38,1 mm (1,5")	20.0400.038...



4 x
11.0500...
(■ 257)



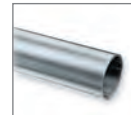
4 x
11.0304...
(■ 252)



10 x
10.2708...
(■ 145)



6 x
19.6010.020.00
(■ 280)

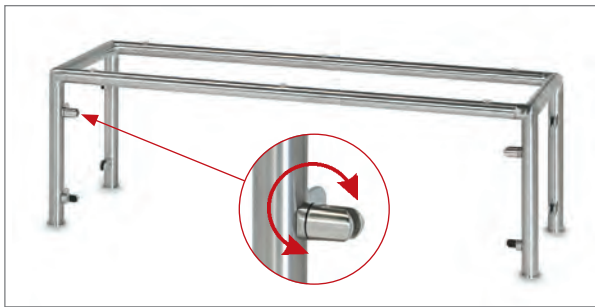


8 x
11/12.8900...
(■ 239)

6



Sneeze guard - 050



Ø 25,4 mm / Ø 38,1 mm

INFO Finishes



Stainless steel design
Art.no. ...20



Chrome design
Art.no. ...23



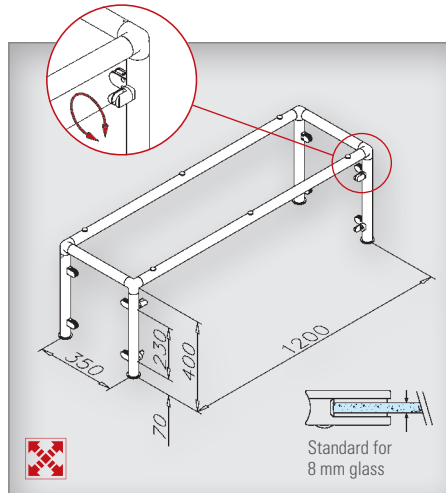
Brass design
Art.no. ...22



Anthracite design
Art.no. ...26

Model 050

Ø	Art.no.
25,4 mm (1")	20.0500.025...
38,1 mm (1,5")	20.0500.038...



4 x
11.0500...
(■ 257)



4 x
11.0304...
(■ 252)



2 x
10.2900...
(■ 153)



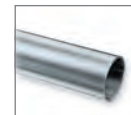
2 x
10.2950...
(■ 153)



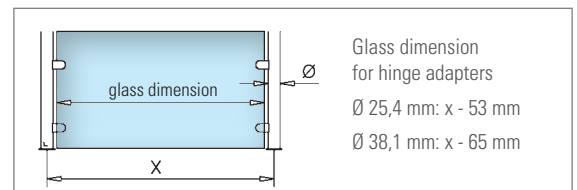
8 x
10.2708...
(■ 145)



6 x
19.6010.020.00
(■ 280)



8 x
11/12.8900...
(■ 239)



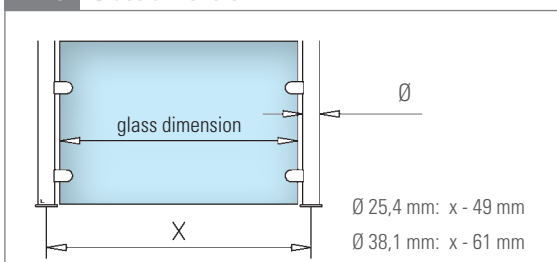
- ⇒ production according to order
- ⇒ other dimensions possible

INFO optional



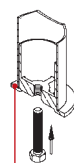
Toughened glass / Laminated glass
(■ 273)

INFO Glass dimension



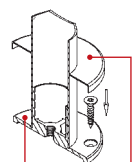
INFO Floor fixations

A standard



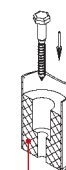
11.0500... (■ 257)

B optional



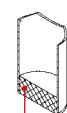
11.0504... (■ 259) 11/12.0512... (■ 259)

C optional



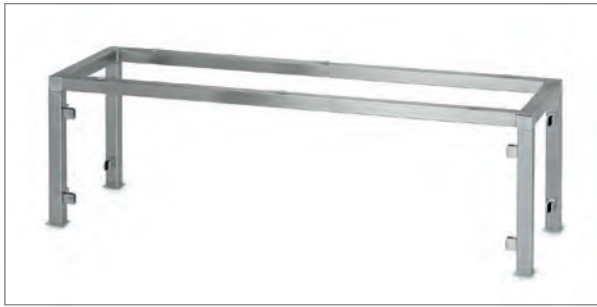
18.0106... (■ 269)

D optional



18.0100... (■ 268)

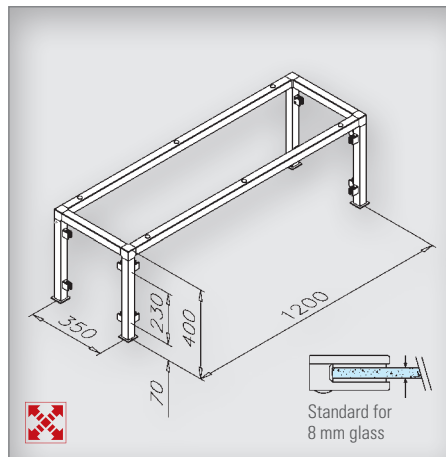
Sneeze guard - 011



Stainless steel design
 □ 20 x 20 mm / □ 35 x 35 mm

Model 011

□	Art.no.
20 x 20 mm	20.0110.020.20
35 x 35 mm	20.0110.035.20



4 x
 12.4500...
 (■ 261)



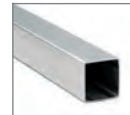
4 x
 12.4304...
 (■ 254)



12 x
 10.2308.000.20
 (■ 142)



6 x
 19.6010.020.00
 (■ 280)



8 x
 12.4890...
 (■ 238)

6

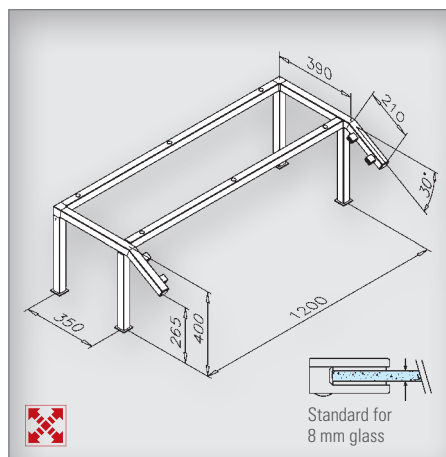
Sneeze guard - 021



Stainless steel design
 □ 20 x 20 mm / □ 35 x 35 mm

Model 021

□	Art.no.
20 x 20 mm	20.0210.020.20
35 x 35 mm	20.0210.035.20



4 x
 12.4500...
 (■ 261)



2 x
 12.4304...
 (■ 254)



4 x
 11.4728.020.00
 (■ 255)



4 x
 12.4725.035.12
 (■ 254)



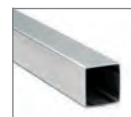
4 x
 10.2308.000.20
 (■ 142)



2 x
 12.4732...
 (■ 265)

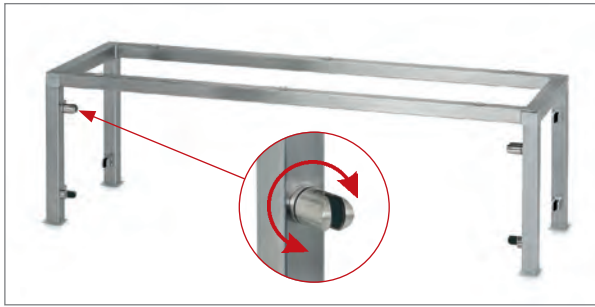


6 x
 19.6010.020.00
 (■ 280)



10 x
 12.4890...
 (■ 238)

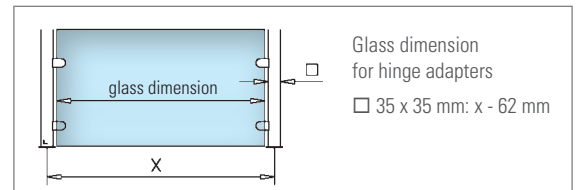
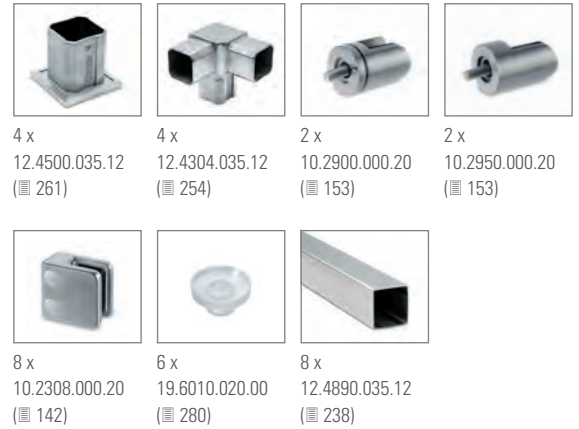
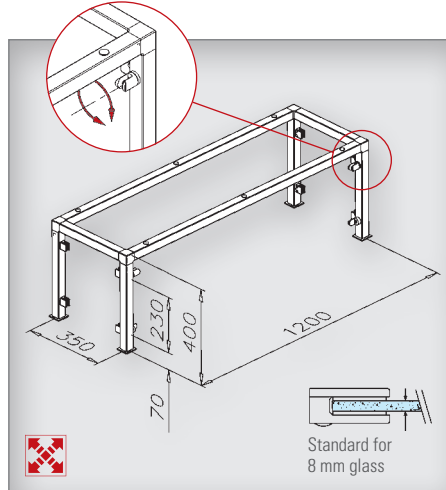
Sneeze guard - 051



Stainless steel design
□ 35 x 35 mm

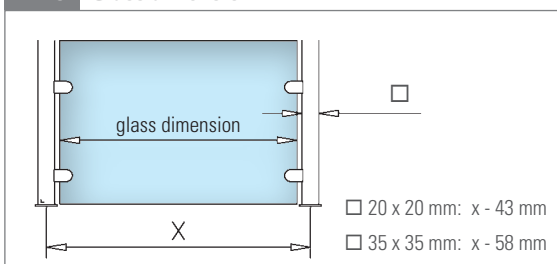
Model 051

□	Art.no.
35 x 35 mm	20.0510.035.20

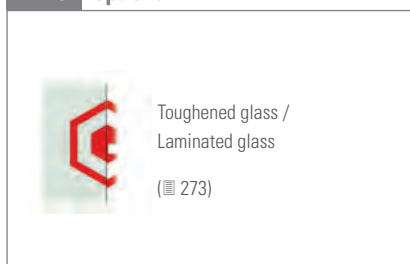


⇨ production according to order
⇨ other dimensions possible

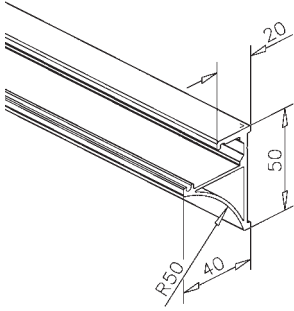
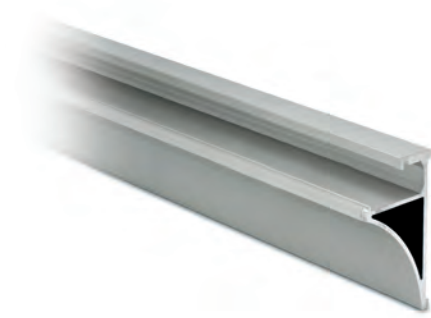
INFO Glass dimension



INFO optional



Glass plate profile - 540

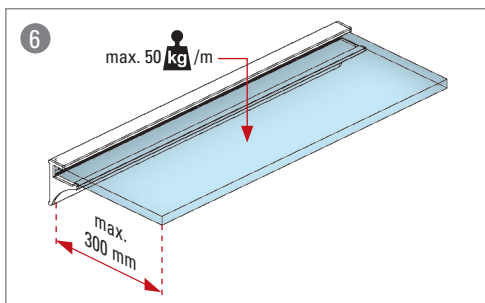
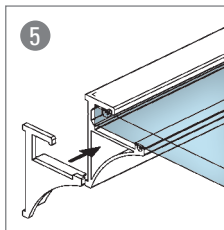
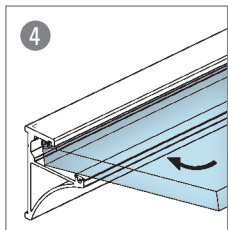
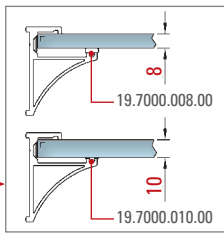
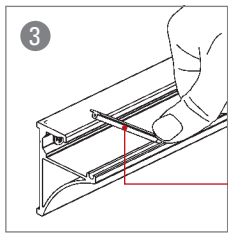
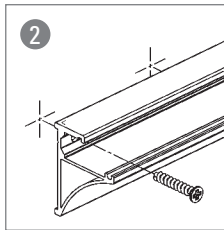
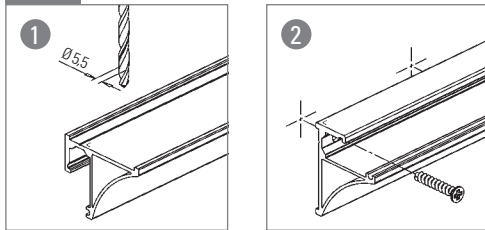


L	Aluminium raw Art.no.	Aluminium stainless steel design Art.no.	Aluminium silver matt anodized Art.no.	Aluminium chrome design Art.no.
5000 mm	43.0900.540.00	43.0900.540.19	43.0900.540.46	
2500 mm	43.8925.540.00	43.8925.540.19	43.8925.540.46	43.8925.540.48
cutted	43.8900.540.00	43.8900.540.19	43.8900.540.46	43.8900.540.48

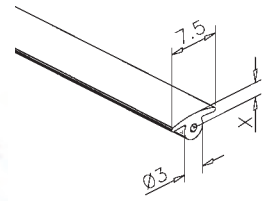
INFO Finishes



INFO Glass plate profile



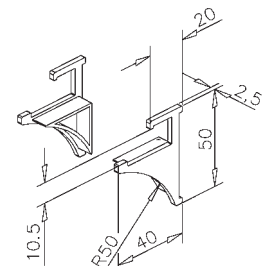
Rubber profile - 7000



length 5 m

glass	Art.no.	X
8 mm	19.7000.008.00	4 mm
10 mm	19.7000.010.00	2 mm

End caps - 1732



plastic, grey (pair)

Art.no.
43.1732.000.00

Glass plate profile set - 6100



Length 1000 mm
 Width max. 300 mm
 Glass 8 mm
 Load max. 50 kg

INFO optional

Toughened glass



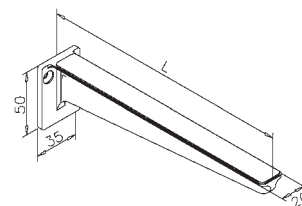
			
Aluminium raw	Aluminium stainless steel design	Aluminium silver matt anodized	Aluminium chrome design
Art.no.	Art.no.	Art.no.	Art.no.
29.6100.100.00	29.6100.100.19	29.6100.100.46	29.6100.100.48

		
1000 mm 43.8900.540...	1 x 19.7000.008.00	1 x 43.1732.000.00

Shelf support - 71 / 72



with rubber strip



L	Art.no.
200 mm	11.0071.000...
300 mm	11.0072.000...

INFO Finishes



Stainless steel design
Art.no. ...20



Chrome design
Art.no. ...23



Brass design
Art.no. ...22

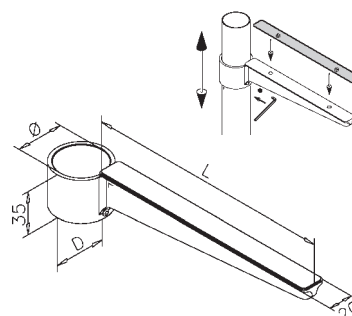


Anthracite design
Art.no. ...26

Shelf support - 741 / 742

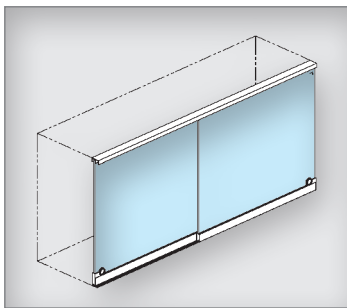


with rubber strip



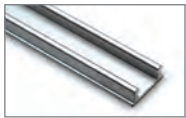
L	Ø	Art.no.	D
200 mm	25,4 mm (1")	11.0741.025...	Ø32
200 mm	38,1 mm (1,5")	11.0741.038...	Ø45
300 mm	25,4 mm (1")	11.0742.025...	Ø32
300 mm	38,1 mm (1,5")	11.0742.038...	Ø45

Showcase - 7500

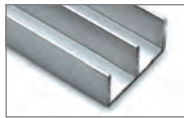


Aluminium
silver matt anodized
Glass 5 - 6,38 mm

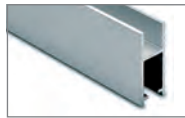
Art.no. 29.7500.000.46



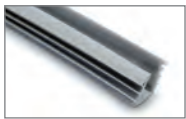
1 x 21.0901.000.46
(191)



1 x 21.0902.000.46
(191)



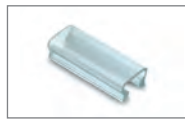
1 x 21.0921.000.46
(191)



1 x 21.8810.000.00 (2 m)
(191)



4 x 21.0801.000.46
(190)



10 x 21.0811.000.00
(191)

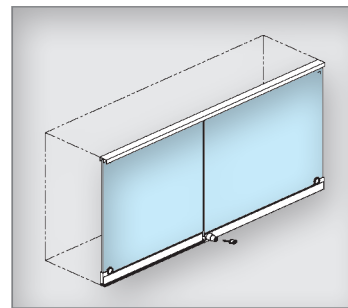


2 x 21.0805.000.16
(190)



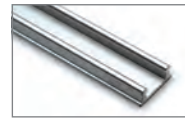
2 x 21.0806.000.16
(190)

Showcase - 7510

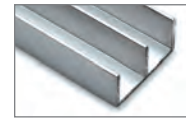


Aluminium
silver matt anodized
Glass 5 - 6,38 mm
- lockable -

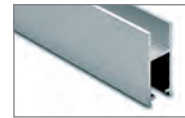
Art.no. 29.7510.000.46



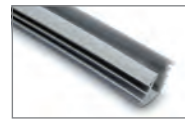
1 x 21.0901.000.46
(191)



1 x 21.0902.000.46
(191)



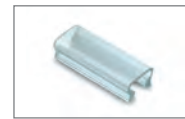
1 x 21.0921.000.46
(191)



1 x 21.8810.000.00 (2 m)
(191)



4 x 21.0801.000.46
(190)



10 x 21.0811.000.00
(191)



2 x 21.0805.000.16
(190)



1 x 21.0806.000.16
(190)



1 x 21.0821.006.16
(193)

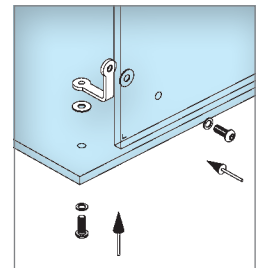
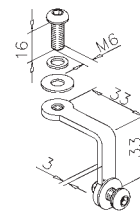
INFO optional

Toughened glass /
Laminated glass
(273)

Connector - 764



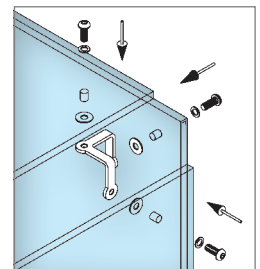
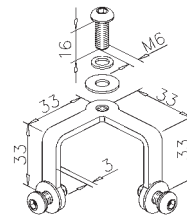
Stainless steel design	Chrome design	
Art.no.	Art.no.	glass
22.0764.033.20	22.0764.033.17	3 - 10 mm



Connector - 765



Stainless steel design	Chrome design	
Art.no.	Art.no.	glass
22.0765.033.20	22.0765.033.17	3 - 10 mm

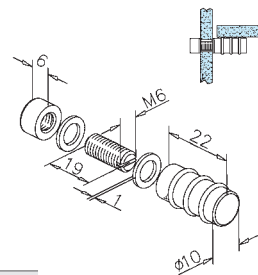


Glass shelf rest - 748



single side

Stainless steel design	Chrome design	
Art.no.	Art.no.	glass
22.0748.012.20	22.0748.012.17	3 - 10 mm



INFO Finishes



Stainless steel design



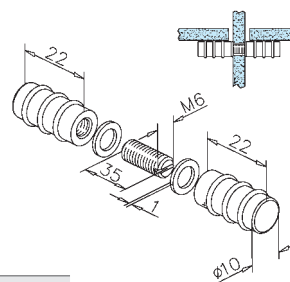
Chrome design

Glass shelf rest - 747



double side

Stainless steel design	Chrome design	
Art.no.	Art.no.	glass
22.0747.012.20	22.0747.012.17	3 - 10 mm

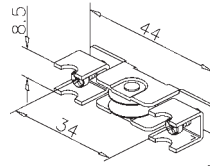


Roller bearing - 801



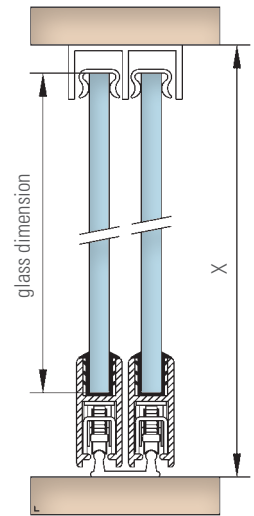
aluminium, silver matt anodized

Art.no.
21.0801.000.46



max. 5 kg

INFO Dimension

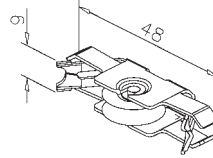


Roller bearing - 802



raw

Art.no.
21.0802.000.00



max. 20 kg

Mounting tool



282

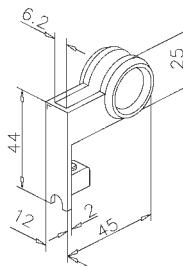
glass dimension
= X - 30 mm

Endcap - 805



with fingerrip
aluminium matt chrome

Art.no.
21.0805.000.16

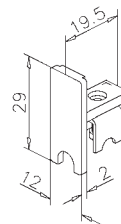


Endcap - 806

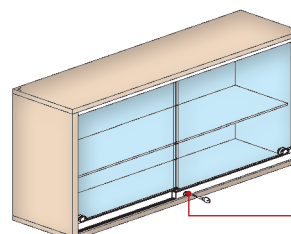
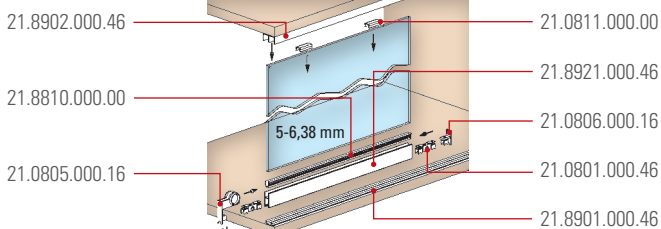


aluminium matt chrome

Art.no.
21.0806.000.16



INFO Showcase



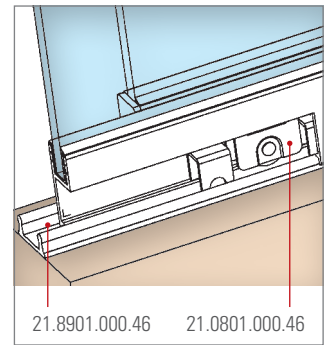
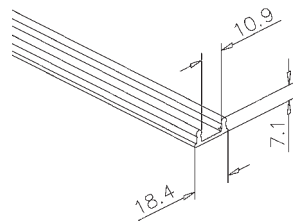
21.0822.006.17 (193)

Bottom track - 901

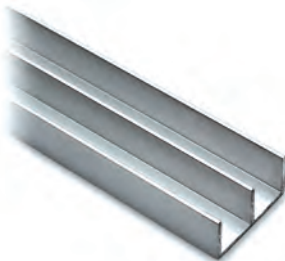


aluminium, silver matt anodized

Art.no.	L
21.0901.000.46	2000 mm
21.8901.000.46	cutted

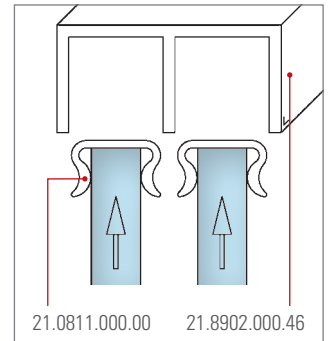
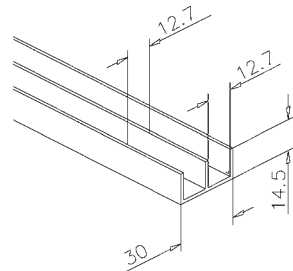


Top track - 902



aluminium, silver matt anodized

Art.no.	L
21.0902.000.46	2000 mm
21.8902.000.46	cutted

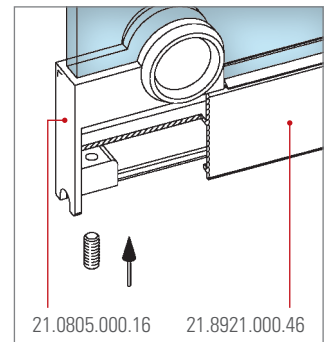
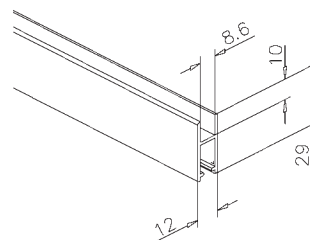


Glass rail - 921



aluminium, silver matt anodized

Art.no.	L
21.0921.000.46	2000 mm
21.8921.000.46	cutted

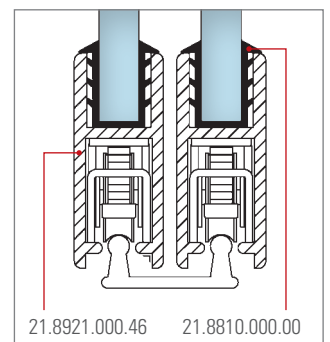
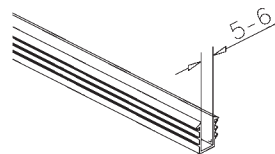


Spline for glass rail - 810

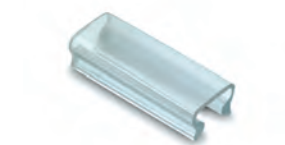


ABS

Art.no.	L
21.0810.000.00	50 m
21.8810.000.00	cutted

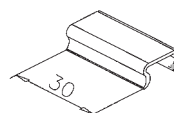


Silencer - 811



ABS

Art.no.
21.0811.000.00



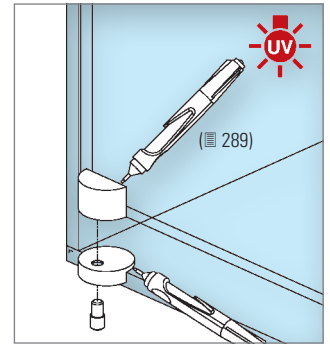
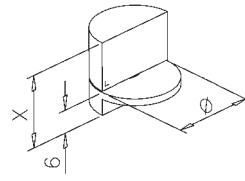
6

Door hinge - 5010



pair, glue fixation
Stainless steel design

Art.no.	Ø	X
23.5010.020.12	20	18
23.5010.030.12	30	24

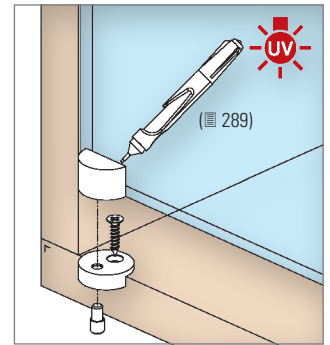
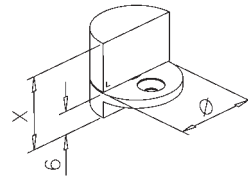


Door hinge - 5050



pair
Stainless steel design

Art.no.	Ø	X
23.5050.020.12	20	18
23.5050.030.12	30	24

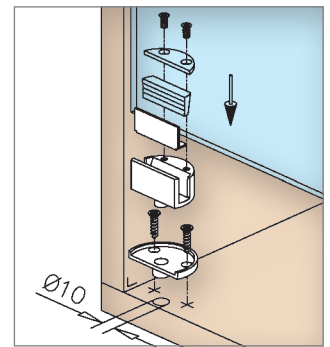
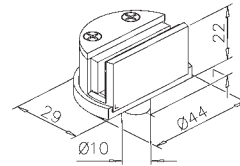


Door hinge - 3826



pair
Chrome design

Art.no.	glass
23.3826.000.17	5 mm



Door hinge - 3806



pair
Chrome design

Art.no.	glass
23.3806.000.17	4 - 6 mm

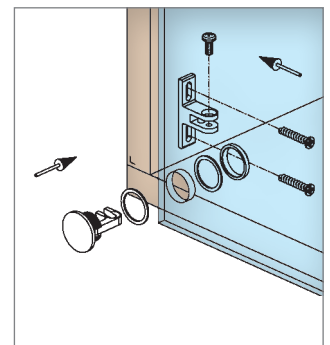
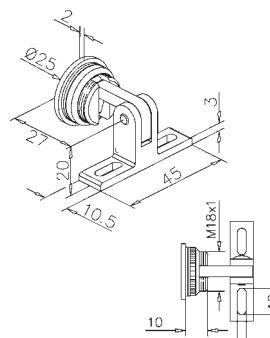
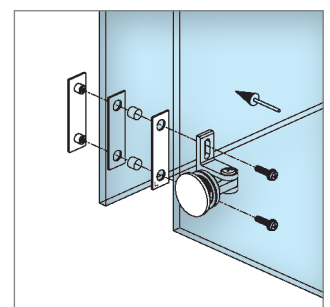
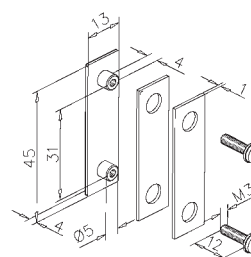


Plate glass/glass - 3800



pair
Chrome design

Art.no.	glass
23.3800.000.17	4 - 6 mm

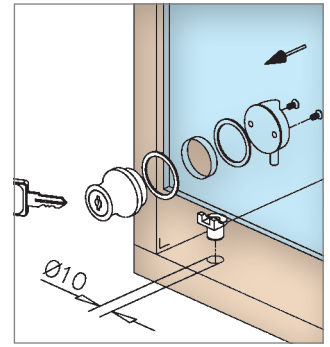
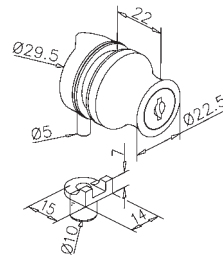


Glass door cylinder lock - 1002



Chrome design

	Art.no.	glass
KD	23.1002.006.17	4 - 6 mm
KA	23.1002.106.17	4 - 6 mm

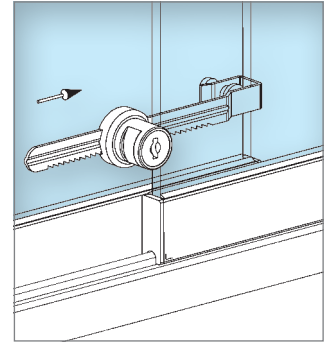
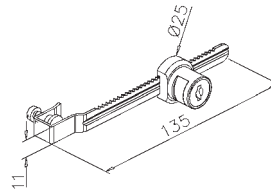


Sliding glass door lock - 1001



Chrome design

	Art.no.	glass
KD	21.1001.006.17	5 - 6 mm
KA	21.1001.106.17	5 - 6 mm



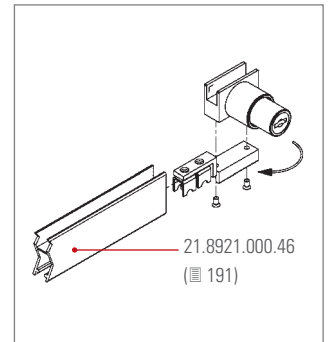
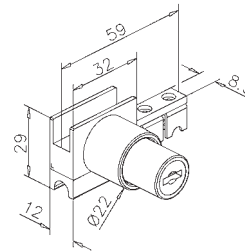
Sliding glass door push lock - 821



for left and right

matt chrome

	Art.no.	glass
KD	21.0821.006.16	5 - 6 mm
KA	21.0821.106.16	5 - 6 mm

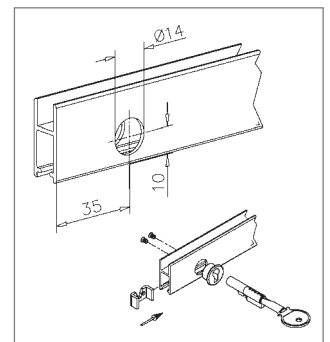
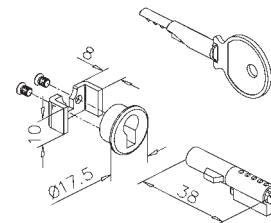


Sliding glass door lock - 822

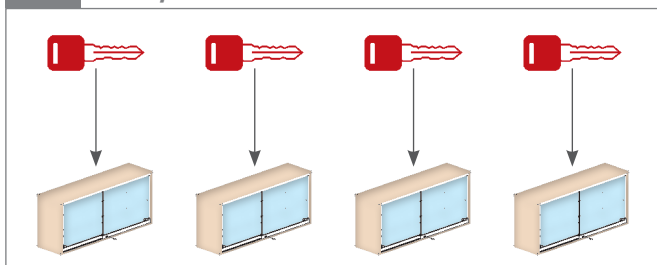


Chrome design

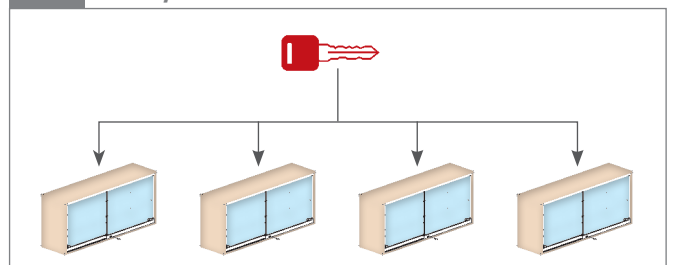
	Art.no.	glass
KD	21.0822.006.17	5 - 6 mm



INFO KD: keyed different



INFO KA: keyed alike



Display - 7000

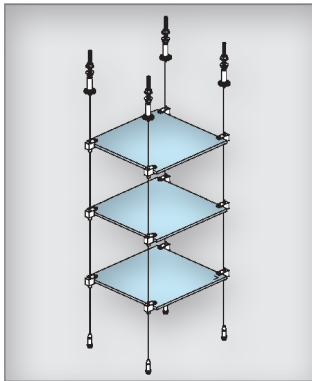


Display - 7010



outside

Glass 5 - 8 mm



Stainless steel design

Art.no.

29.7000.001.20

Chrome design

Art.no.

29.7000.001.17



12 x 25.0203.002...
(197)



4 x 25.0505.002.17
(197)



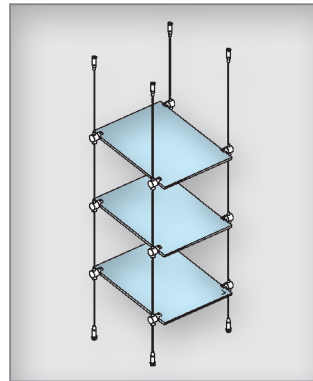
4 x 25.0502.002...
(199)



2 x 25.0100.002.12
(197)

outside, turnable

Glass 5 - 8 mm



Stainless steel design

Art.no.

29.7010.001.20

Chrome design

Art.no.

29.7010.001.17



12 x 25.0213.002...
(198)



4 x 25.0503.002...
(199)



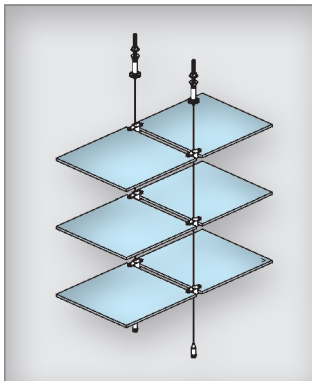
4 x 25.0502.002...
(199)



2 x 25.0100.002.12
(197)

middle

Glass 5 - 8 mm



Stainless steel design

Art.no.

29.7000.002.20

Chrome design

Art.no.

29.7000.002.17



6 x 25.0201.002...
(197)



2 x 25.0505.002.17
(197)



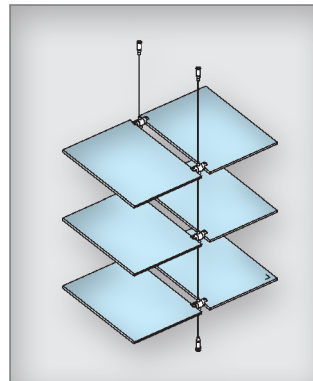
2 x 25.0502.002...
(199)



1 x 25.0100.002.12
(197)

middle, turnable

Glass 5 - 8 mm



Stainless steel design

Art.no.

29.7010.002.20

Chrome design

Art.no.

29.7010.002.17



6 x 25.0211.002...
(198)



2 x 25.0503.002...
(199)



2 x 25.0502.002...
(199)



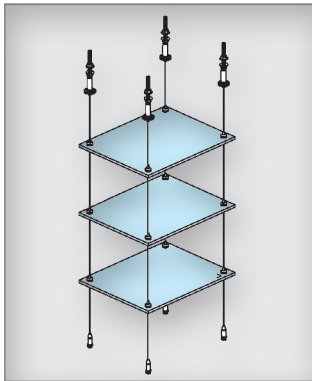
1 x 25.0100.002.12
(197)

Display - 7020



outside

Glass 5 - 8 mm



Stainless steel design

Art.no.

29.7020.001.20

Chrome design

Art.no.

29.7020.001.17



12 x 25.0202.002...
(■ 197)



4 x 25.0505.002.17
(■ 197)

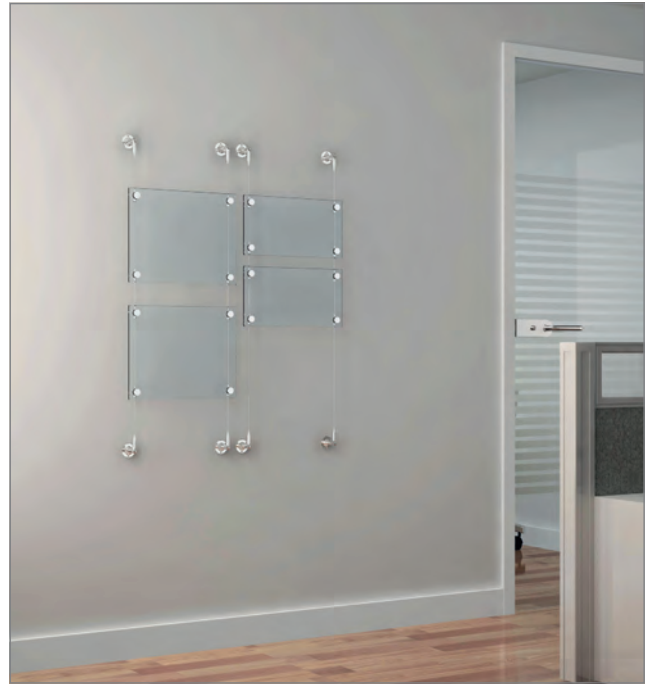


4 x 25.0502.002...
(■ 199)



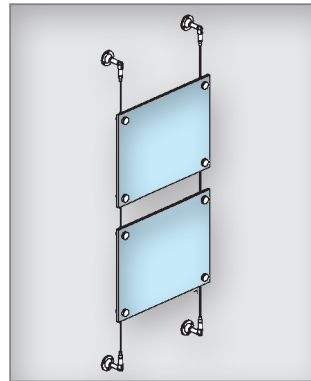
2 x 25.0100.002.12
(■ 197)

Display - 7030



vertical

Glass 5 - 8 mm



Stainless steel design

Art.no.

29.7030.000.20

Chrome design

Art.no.

29.7030.000.17



8 x 25.0204.002...
(■ 198)



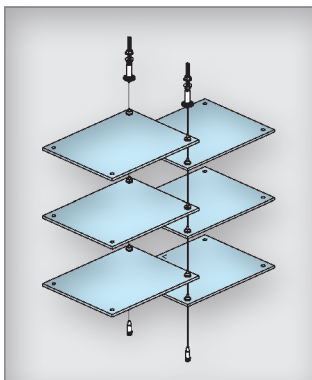
4 x 25.0504.002...
(■ 199)



1 x 25.0100.002.12
(■ 197)

middle

Glass 5 - 8 mm



Stainless steel design

Art.no.

29.7020.002.20

Chrome design

Art.no.

29.7020.002.17



12 x 25.0202.002...
(■ 197)



2 x 25.0505.002.17
(■ 197)



2 x 25.0502.002...
(■ 199)



1 x 25.0100.002.12
(■ 197)

INFO optional

Toughened glass / Laminated glass



INFO Finishes

Stainless steel design



Chrome design



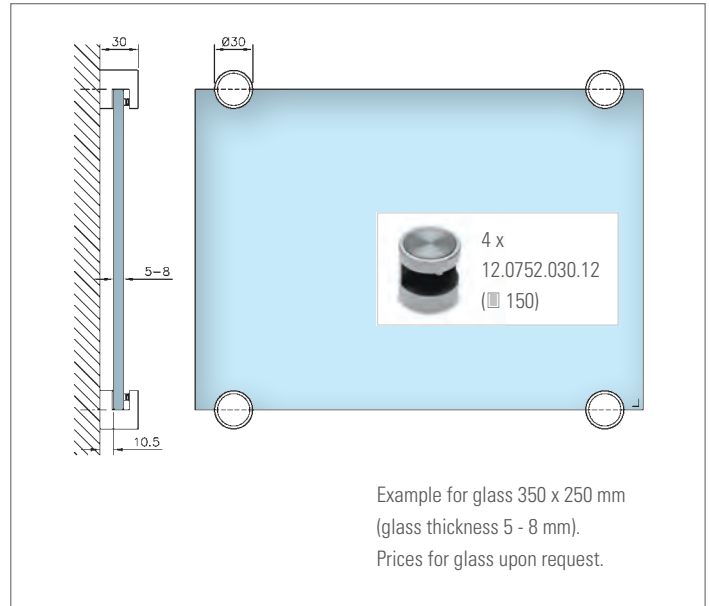
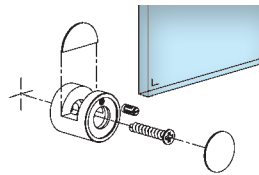
Information board - 3010



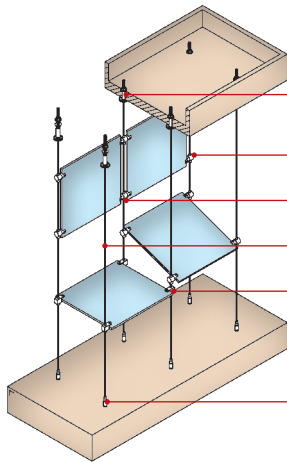
Stainless steel design

Glass 5 - 8 mm

Art.no. 29.3010.030.12



INFO Display systems



25.0505.002.17

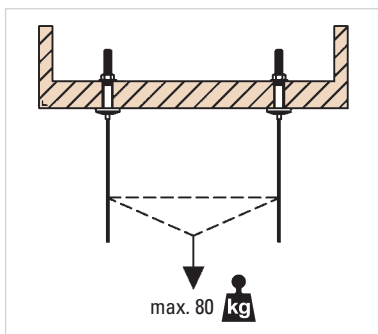
25.0213.002... (198)

25.0211.002... (198)

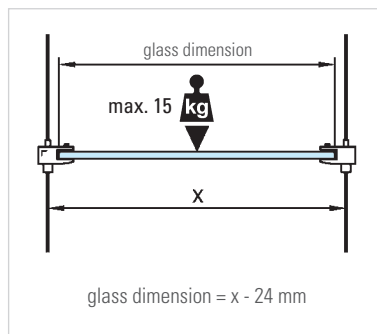
25.0100.002.12

25.0203.002...

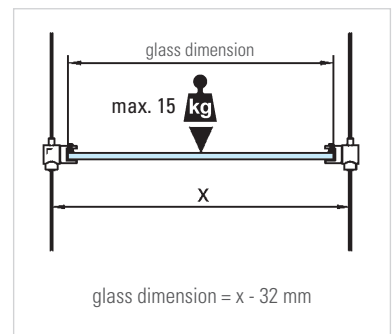
25.0502.002... (199)



25.0505.002.17



25.0201.002... / 25.0203.002...



25.0211.002... / 25.0213.002... (198)

Glass support - 201

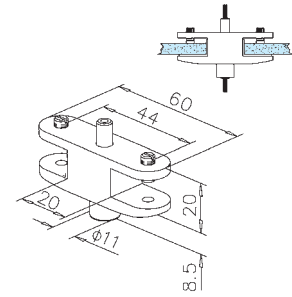


middle

Stainless steel design

Chrome design

Art.no.	Art.no.	glass
25.0201.002.20	25.0201.002.17	5 - 8 mm



Glass support - 203

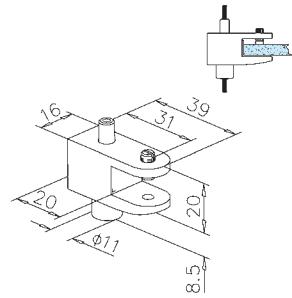


outside

Stainless steel design

Chrome design

Art.no.	Art.no.	glass
25.0203.002.20	25.0203.002.17	5 - 8 mm



Glass support - 202

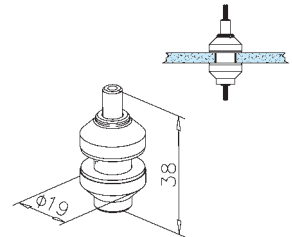


horizontal

Stainless steel design

Chrome design

Art.no.	Art.no.	glass
25.0202.002.20	25.0202.002.17	5 - 8 mm

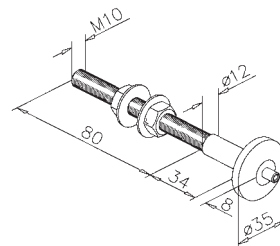


Ceiling flange - 505



Chrome design

Art.no.
25.0505.002.17

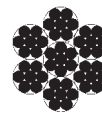
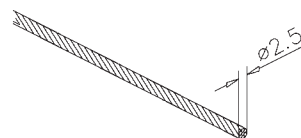


Cable - 100



7 x 7, ϕ 2,5, Stainless steel design

Art.no.	L
25.0100.002.12	5 m



Glass support - 211

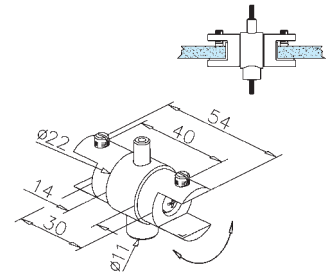


middle, turnable

Stainless steel design

Chrome design

Art.no.	Art.no.	glass
25.0211.002.20	25.0211.002.17	5 - 8 mm



Glass support - 213

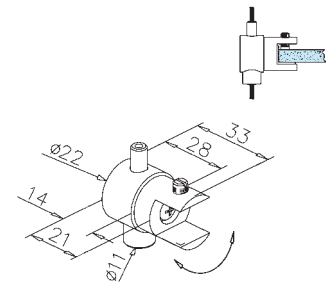


outside, turnable

Stainless steel design

Chrome design

Art.no.	Art.no.	glass
25.0213.002.20	25.0213.002.17	5 - 8 mm



6

Glass support - 204

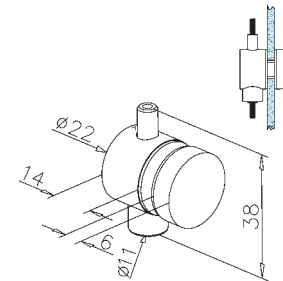


vertical

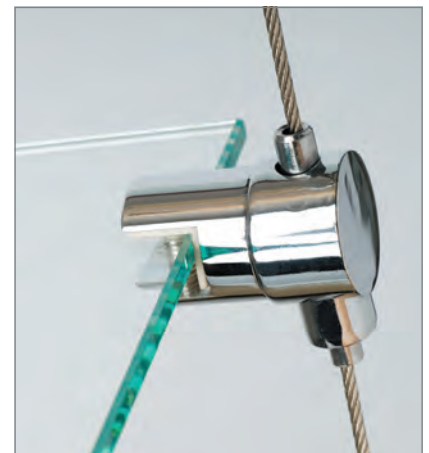
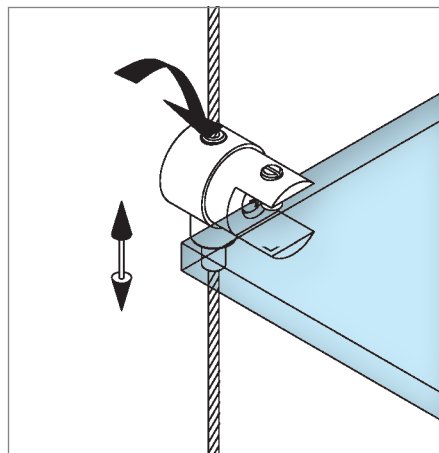
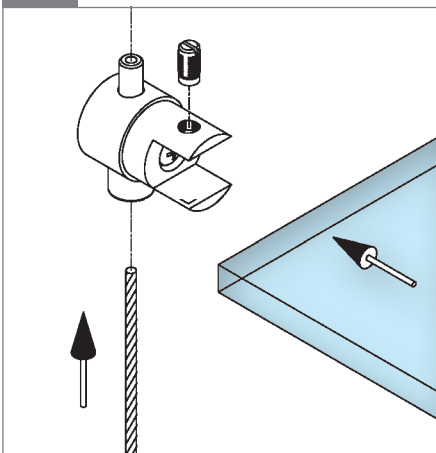
Stainless steel design

Chrome design

Art.no.	Art.no.	glass
25.0204.002.20	25.0204.002.17	5 - 8 mm



INFO 25.0213.002...

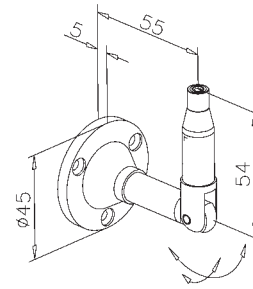


Flange - 504



adjustable, self-tensioning

Stainless steel design	Chrome design
Art.no.	Art.no.
25.0504.002.20	25.0504.002.17

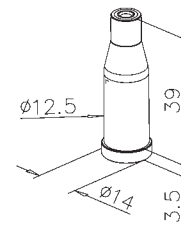


Ceiling and floor flange - 503



self-tensioning

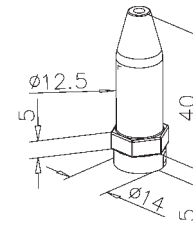
Stainless steel design	Chrome design
Art.no.	Art.no.
25.0503.002.20	25.0503.002.17



Floor flange - 502

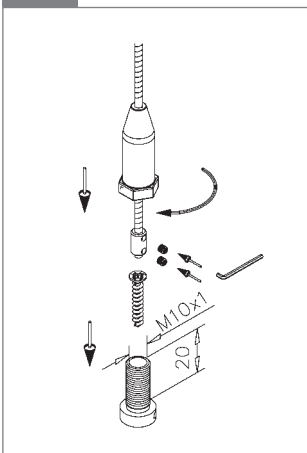


Stainless steel design	Chrome design
Art.no.	Art.no.
25.0502.002.20	25.0502.002.17

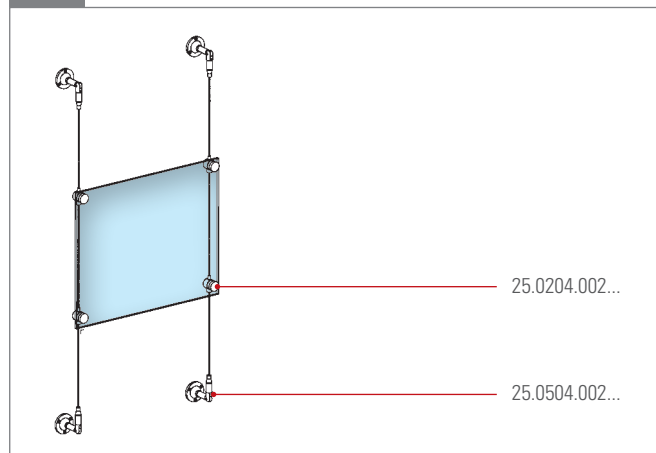


6

INFO 25.0502.002...



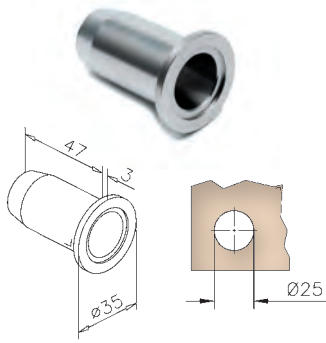
INFO 25.0504.002... / 25.0204.002...



INFO Finishes



Wall insert sleeve - 1761



for bracket pin
Stainless steel design

Art.no.
28.1761.025.12

max. 25 **kg**

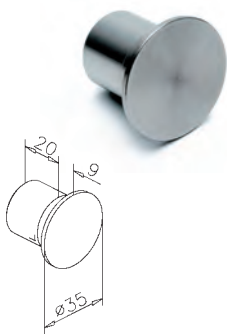
Bracket pin adapter - 1762



plug-in
Stainless steel design

Art.no.
28.1762.025.12

End cap - 1763



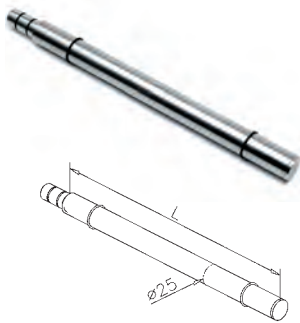
for bracket pin
Stainless steel design

Art.no.
28.1763.025.12



6

Bracket pin - 7520



with 2 rubber rings for glass shelf
Stainless steel design

Art.no.	L
28.7520.025.12	350 mm
28.7529.025.12	variable

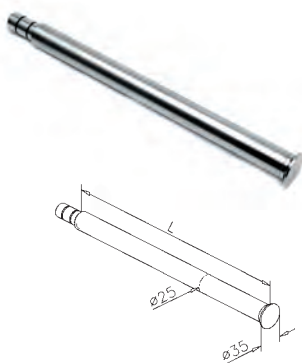
Blind bracket pin - 7540



for wooden shelf
Stainless steel design

Art.no.	L
28.7540.025.12	250 mm

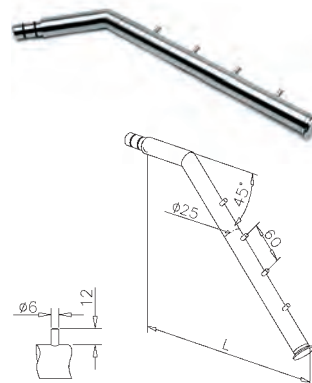
Bracket pin - 7510



for wooden shelf or clothes hangers
Stainless steel design

Art.no.	L
28.7510.025.12	350 mm
28.7519.025.12	variable

Bracket pin - 7530



angled, for clothes hangers
Stainless steel design

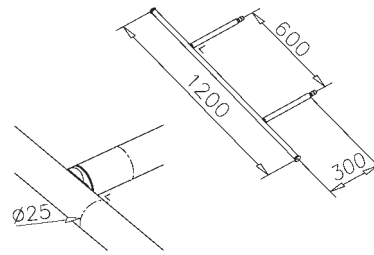
Art.no.	L
28.7530.025.12	350 mm
28.7539.025.12	variable

Cross bracket pins - 7542



for clothes hangers
Stainless steel design

Art.no.	L
28.7542.025.12	1200 mm

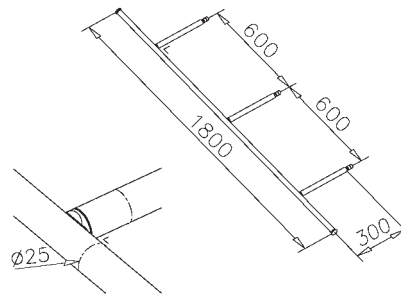


Cross bracket pins - 7543



for clothes hangers
Stainless steel design

Art.no.	L
28.7543.025.12	1800 mm

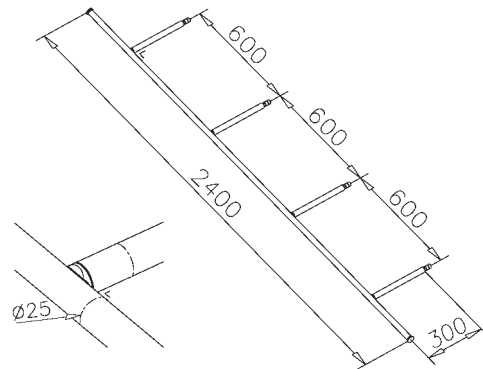


Cross bracket pins - 7544



for clothes hangers
Stainless steel design

Art.no.	L
28.7544.025.12	2400 mm



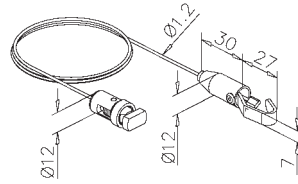
⇨ production according to order
⇨ other dimensions possible

Display hook - 8105

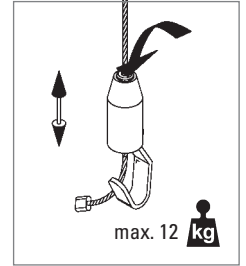
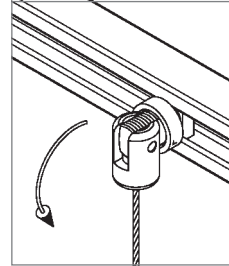
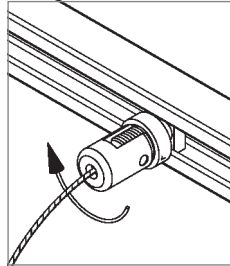
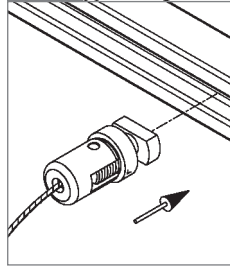


with wire
Chrome design

Art.no.	L
25.8105.001.17	1200 mm



INFO 25.8105.001.17

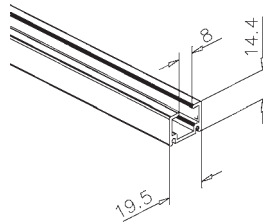


Railing track - 8902

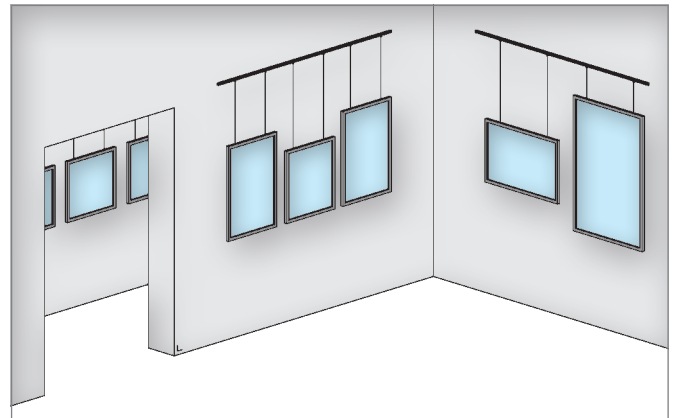
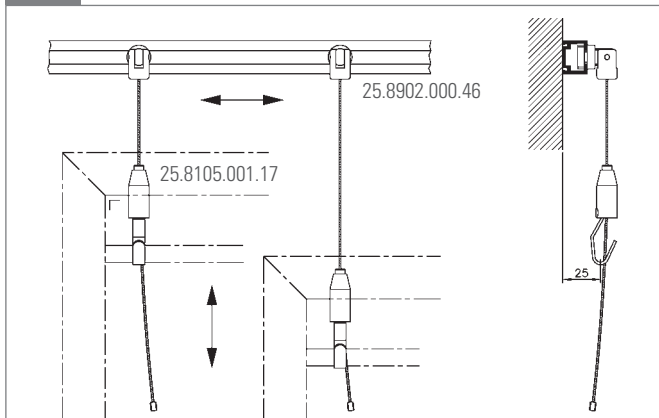


aluminium, silver matt anodized

Art.no.	L
25.8902.000.46	2 m



INFO 25.8902.000.46

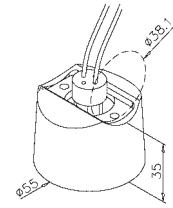


LED spot - 991



incl. illuminant 12 V / 4 W

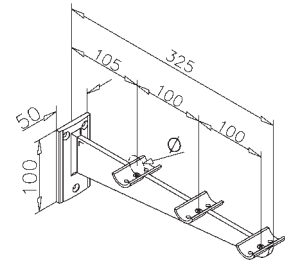
	Stainless steel design	Chrome design	Brass design
Ø	Art.no.	Art.no.	Art.no.
38,1 mm (1,5")	12.0991.038.12	12.0991.038.10	11.0991.038.22



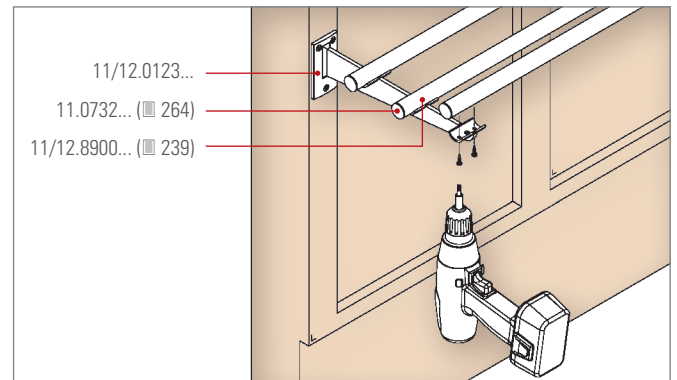
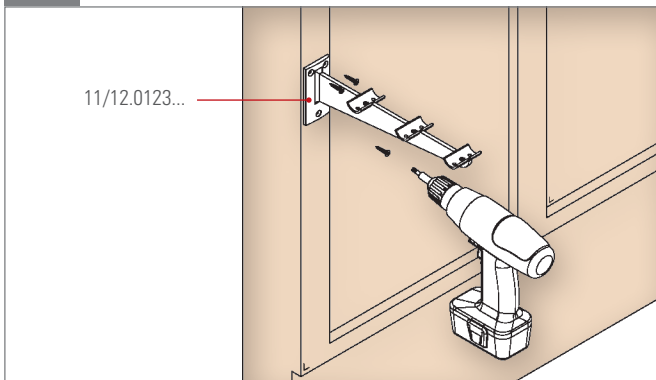
Tray slide bracket - 123



	Stainless steel design	Brass design
Ø	Art.no.	Art.no.
25,4 mm (1")	12.0123.025.12	11.0123.025.22
38,1 mm (1,5")	12.0123.038.12	



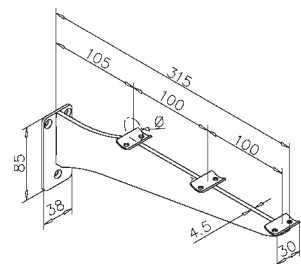
INFO 11/12.0123...



Tray slide bracket - 125

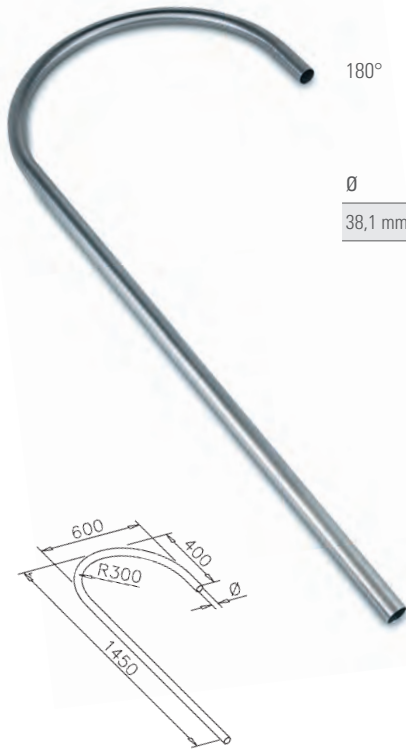


	Stainless steel design
Ø	Art.no.
25,4 mm (1")	12.0125.025.12



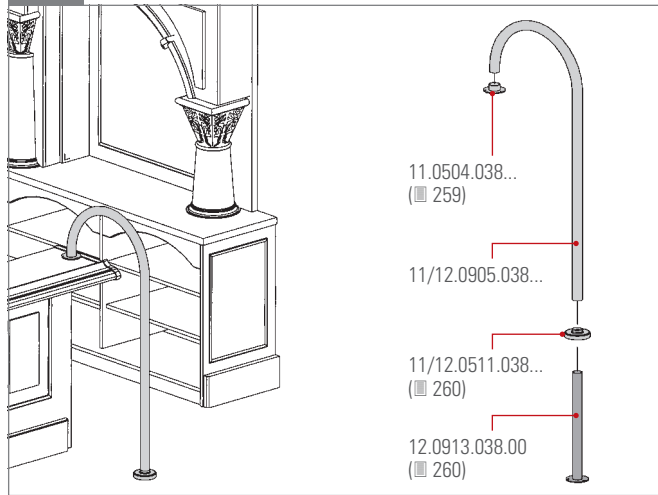
Waitress station - 905

NEW



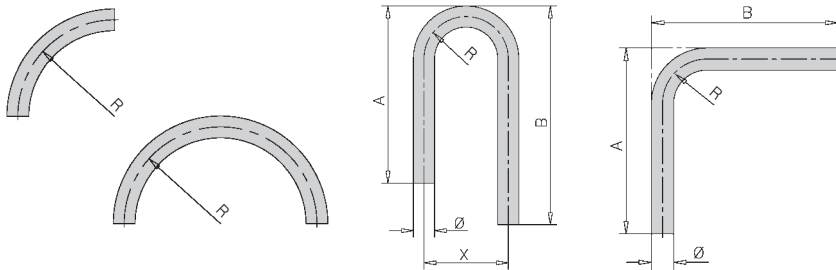
	Stainless steel design	Chrome design	Brass design	Anthracite design
∅	Art.no.	Art.no.	Art.no.	Art.no.
38,1 mm (1,5")	12.0905.038.12	12.0905.038.10	11.0905.038.22	11.0905.038.26

INFO 11/12.0905...



INFO Bending

6

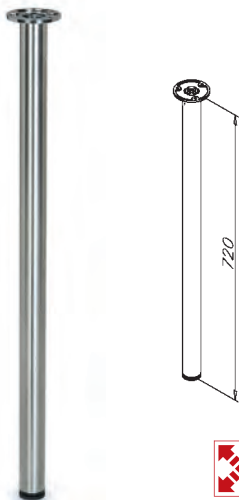


Half and quarter circles, angles, S-bends or rings . . . tubes and rods are bent exactly according to your specification.

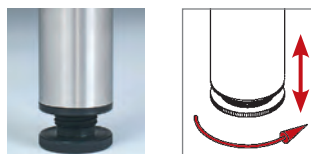


Proposal inquiry

Table base - 620



∅	Art.no.
38,1 mm (1,5")	20.6200.038...



INFO Finishes



Stainless steel design
Art.no. ...20



Chrome design
Art.no. ...23

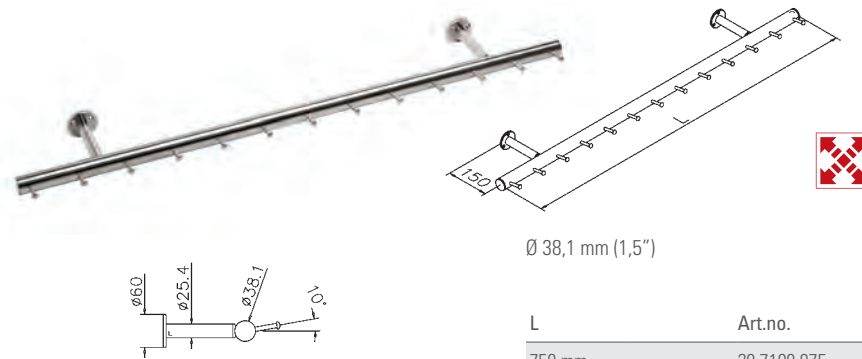


Brass design
Art.no. ...22



Anthracite design
Art.no. ...26

Wardrobe - 710



Ø 38,1 mm (1,5")

L	Art.no.
750 mm	20.7100.075...
1000 mm	20.7100.100...
1250 mm	20.7100.125...

INFO Finishes



Stainless steel design
Art.no. ...20



Chrome design
Art.no. ...23

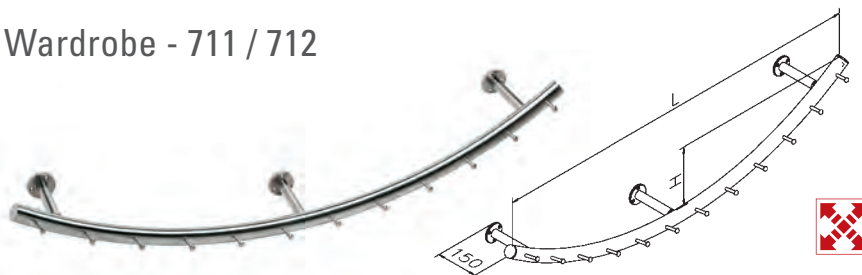


Brass design
Art.no. ...22



NEW
Anthracite design
Art.no. ...26

Wardrobe - 711 / 712

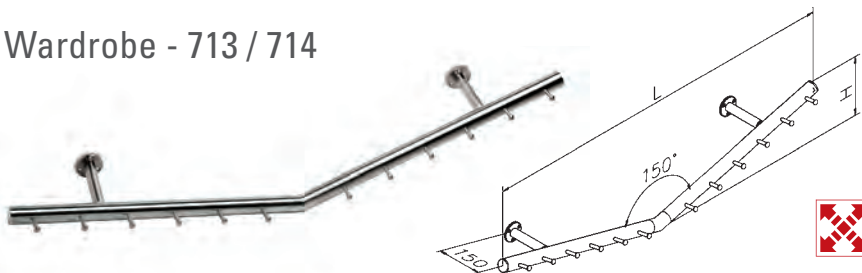


Ø 38,1 mm (1,5")

L	H	Art.no.
750 mm	80 mm	20.7110.075...
1000 mm	125 mm	20.7110.100...
1250 mm	200 mm	20.7110.125...

750 mm	80 mm	20.7120.075...
1000 mm	125 mm	20.7120.100...
1250 mm	200 mm	20.7120.125...

Wardrobe - 713 / 714



Ø 38,1 mm (1,5")

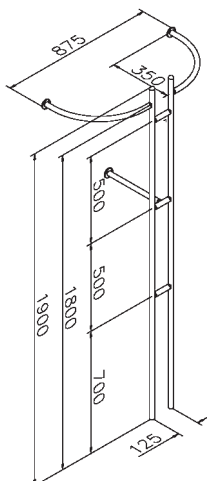
L	H	Art.no.
750 mm	140 mm	20.7130.075...
1000 mm	187 mm	20.7130.100...
1250 mm	205 mm	20.7130.125...

750 mm	140 mm	20.7140.075...
1000 mm	187 mm	20.7140.100...
1250 mm	205 mm	20.7140.125...



⇨ production according to order
⇨ other dimensions possible

Wardrobe - 720



Ø	Art.no.
25,4 mm (1")	20.7200.025...

INFO Finishes



Stainless steel design
Art.no. ...20



Chrome design
Art.no. ...23

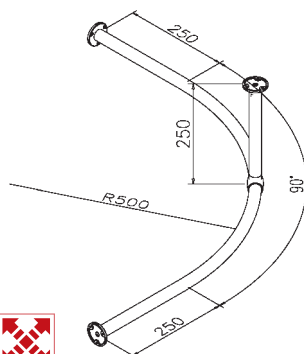


Brass design
Art.no. ...22



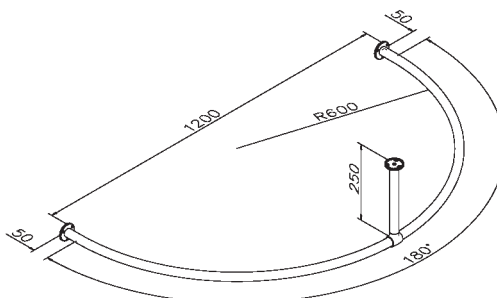
Anthracite design
Art.no. ...26

Wardrobe - 740 (90°)



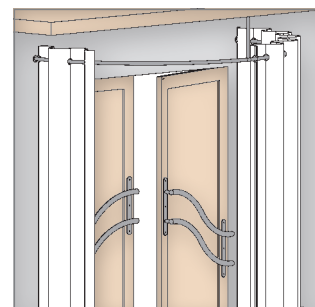
Ø	Art.no.
25,4 mm (1")	20.7400.025...

Wardrobe - 741 (180°)

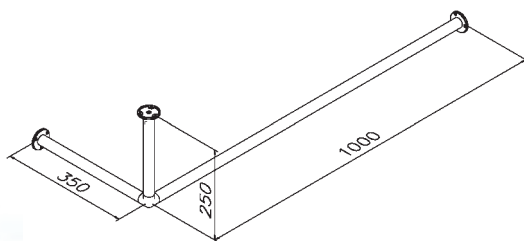


Ø	Art.no.
25,4 mm (1")	20.7410.025...

⇨ production according to order
 ⇨ other dimensions possible



Wardrobe - 730



Ø	Art.no.
25,4 mm (1")	20.7300.025...

INFO Finishes



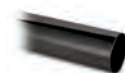
Stainless steel design
Art.no. ...20



Chrome design
Art.no. ...23

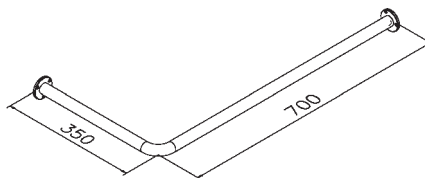


Brass design
Art.no. ...22

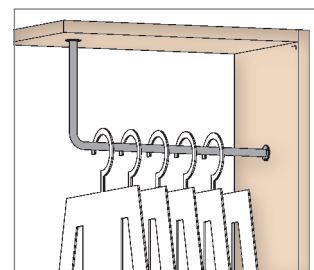


Anthracite design
Art.no. ...26

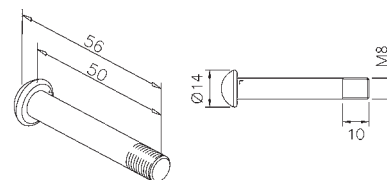
Wardrobe - 731



Ø	Art.no.
25,4 mm (1")	20.7310.025...



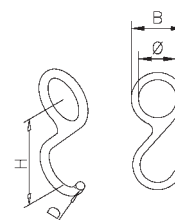
Rail hook - 820



NEW

Stainless steel design	Chrome design	Brass design	Anthracite design
Art.no.	Art.no.	Art.no.	Art.no.
12.0820.000.12	12.0820.000.10	11.0820.000.22	11.0820.000.26

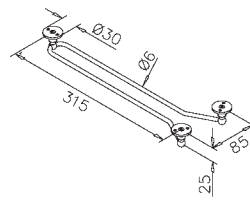
S-Hook - 822



Ø	Stainless steel design	Chrome design	Brass design	H	D	B
Art.no.	Art.no.	Art.no.	Art.no.			
19,0 mm	11.0822.019.20	11.0822.019.23	11.0822.019.22	45	Ø4	29
25,4 mm (1")	11.0822.025.20	11.0822.025.23	11.0822.025.22	57	Ø5	36

Glass racks

Glass rack - 874



L	Art.no.
315 mm	...0874.315...

INFO Finishes



Stainless steel design
Art.no. 12... 12

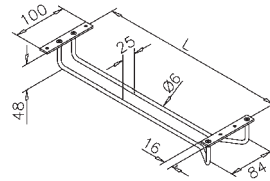


Chrome design
Art.no. 12... 10



Brass design
Art.no. 11... 22

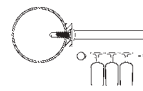
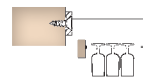
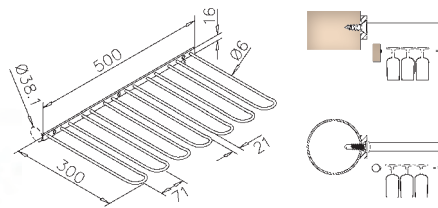
Glass rack - 873



L	Art.no.
300 mm	...0873.300...
350 mm	...0873.350...
400 mm	...0873.400...
450 mm	...0873.450...



Glass rack - 875



L	Ø	Art.no.
300 mm	38,1 mm (1,5")	...0875.300...

INFO Finishes



Stainless steel design
Art.no. 12... 12



Chrome design
Art.no. 12... 10

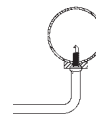
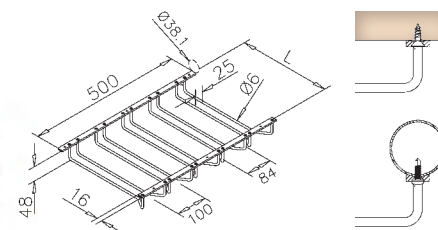


Brass design
Art.no. 11... 22



Anthracite design
Art.no. 11... 26

Glass rack - 876

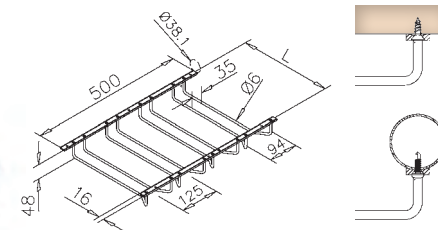


L	Ø	Art.no.
300 mm	38,1 mm (1,5")	...0876.300...
350 mm	38,1 mm (1,5")	...0876.350...
400 mm	38,1 mm (1,5")	...0876.400...
450 mm	38,1 mm (1,5")	...0876.450...

Glass rack - 877



NEW



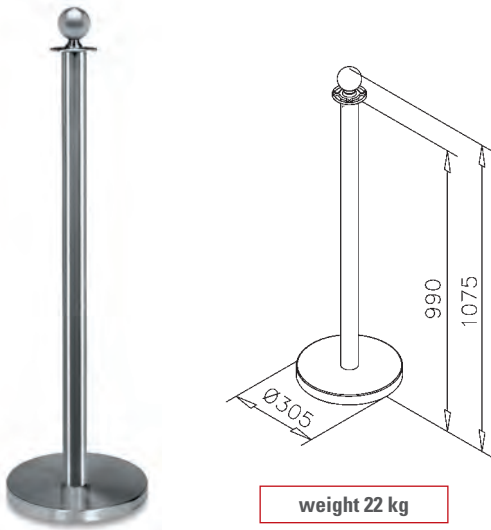
L	Ø	Art.no.
300 mm	38,1 mm (1,5")	...0877.300...



**Ideal for
bulgy beer glasses.**

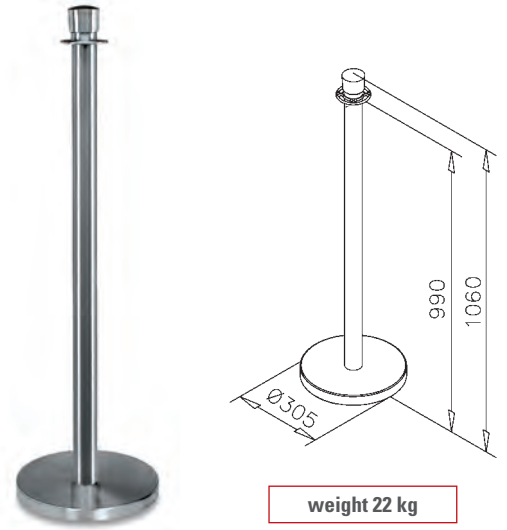


Guidance post - 5810



Stainless steel design	Chrome design	Brass design
Art.no.	Art.no.	Art.no.
12.5810.000.12	12.5810.000.10	11.5810.000.22

Guidance post - 5811



Stainless steel design	Chrome design	Brass design
Art.no.	Art.no.	Art.no.
12.5811.000.12	12.5811.000.10	11.5811.000.22

Guidance post - 5820



Webbing colour black, length 2 m

Stainless steel design
Art.no.
12.5820.000.12

Replacement cassette



Webbing colour black, length 2 m

Stainless steel design
Art.no.
12.6970.063.12

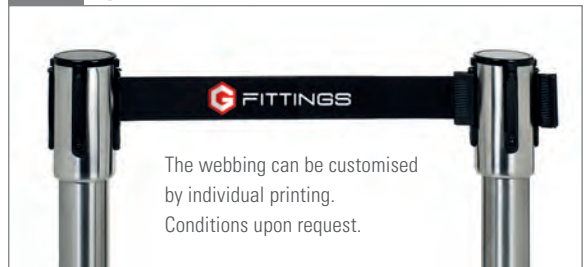
Wall clip cassette



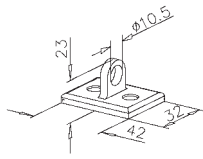
Nylon black

Art.no.
18.0010.000.00

INFO optional



Wall plate - 5737



Art.no.

...5737.000...

INFO Finishes



Stainless steel design

Art.no. 12 . . . 12



Chrome design

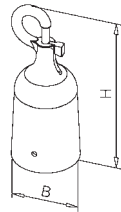
Art.no. 12 . . . 10



Brass design

Art.no. 11 . . . 22

Rope snap end - 5713



Ø	Art.no.	B	H
30 mm	...5713.030...	35	115
40 mm	...5713.040...	43	120

Poly-hemp rope - 585



incl. 2 rope snap ends
L 1500 mm
other lengths possible

Ø	Colour	Art.no.
40 mm	nature	...5850.040...
40 mm	blue	...5855.040...

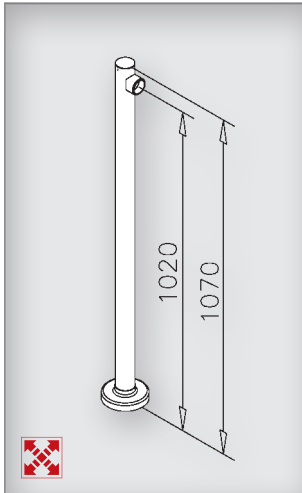
Velour rope - 586



incl. 2 rope snap ends
L 1500 mm

Ø	Colour	Art.no.
40 mm	red	...5862.040...
40 mm	black	...5863.040...

Crowd control system - 831



INFO Finishes



Stainless steel design
Art.no. ...20



Chrome design
Art.no. ...23



Art.no.



Art.no.



Art.no.



Art.no.

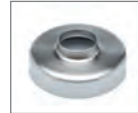
Ø 50,8 mm	20.8311.050...	20.8312.050...	20.8315.050...	20.8316.050...
-----------	----------------	----------------	----------------	----------------



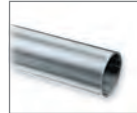
1 (2/3) x 12.0724.050...
(☐ 257)



1 x 12.0913.050.00
(☐ 260)



1 x 12.0511.050...
(☐ 260)

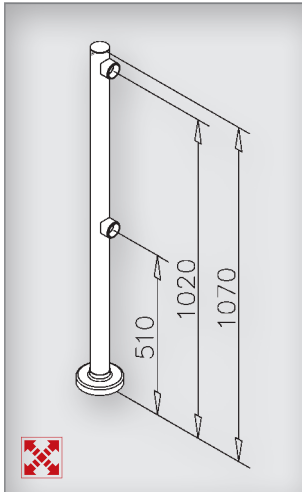


1 x 12.8900.050...
(☐ 239)



1 x 11.0729.050...
(☐ 264)

Crowd control system - 832



Art.no.



Art.no.



Art.no.



Art.no.

Ø 50,8 mm	20.8321.050...	20.8322.050...	20.8325.050...	20.8326.050...
-----------	----------------	----------------	----------------	----------------



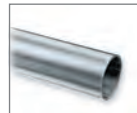
2 (4/6) x 12.0724.050...
(☐ 257)



1 x 12.0913.050.00
(☐ 260)



1 x 12.0511.050...
(☐ 260)

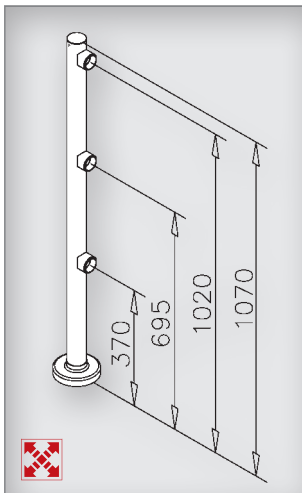


1 x 12.8900.050...
(☐ 239)



1 x 11.0729.050...
(☐ 264)

Crowd control system - 833



Art.no.



Art.no.



Art.no.



Art.no.

Ø 50,8 mm	20.8331.050...	20.8332.050...	20.8335.050...	20.8336.050...
-----------	----------------	----------------	----------------	----------------



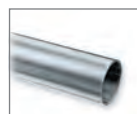
3 (6/9) x 12.0724.050...
(☐ 257)



1 x 12.0913.050.00
(☐ 260)



1 x 12.0511.050...
(☐ 260)



1 x 12.8900.050...
(☐ 239)

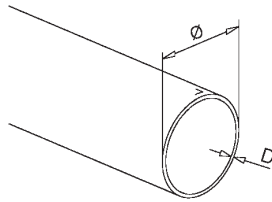


1 x 11.0729.050...
(☐ 264)



☞ production according to order
☞ other dimensions possible

Tubes



Ø	L	D	Art.no.
38,1 mm (1,5")	500 mm	1,27 mm	12.8905.038...
38,1 mm (1,5")	1000 mm	1,27 mm	12.8910.038...
38,1 mm (1,5")	1500 mm	1,27 mm	12.8915.038...
38,1 mm (1,5")	2000 mm	1,27 mm	12.8920.038...
38,1 mm (1,5")	cutted	1,27 mm	12.8900.038...

INFO Finishes

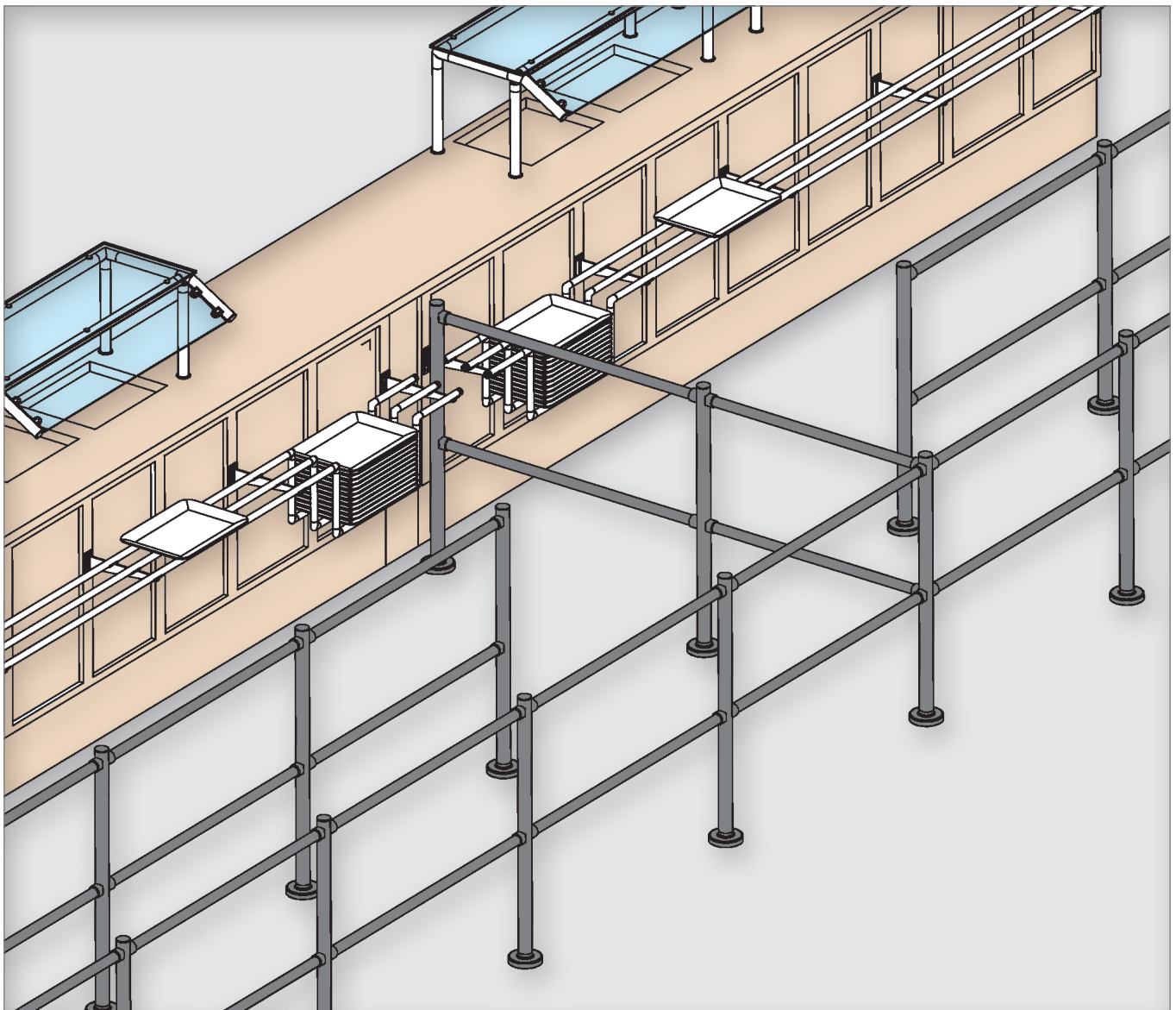


Stainless steel design
Art.no. ...12

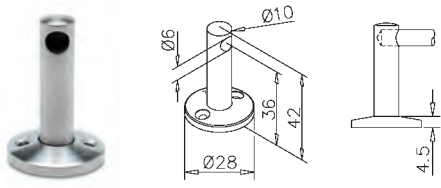


Chrome design
Art.no. ...10

Example



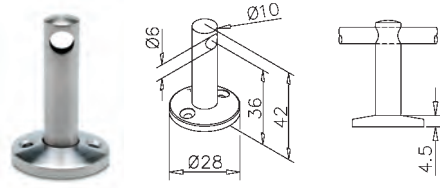
Mini rail Ø 6 mm - Mounting on wood



End bracket - 650 / 06

Art.no.

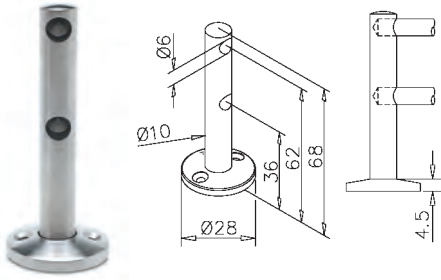
11.0650.006...



Centre bracket - 651 / 06

Art.no.

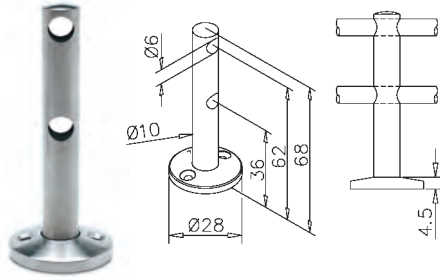
11.0651.006...



Double end bracket - 655 / 06

Art.no.

11.0655.006...



Double centre bracket - 656 / 06

Art.no.

11.0656.006...

INFO Finishes



Stainless steel design
Art.no. ...20

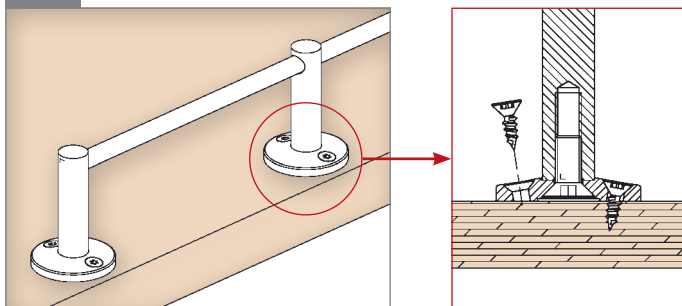


Chrome design
Art.no. ...23

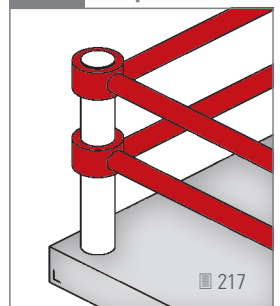


Brass design
Art.no. ...22

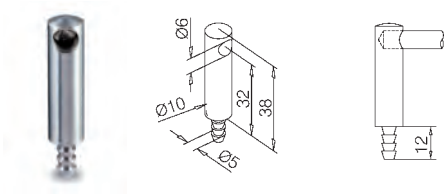
INFO Fixation



INFO Adapters



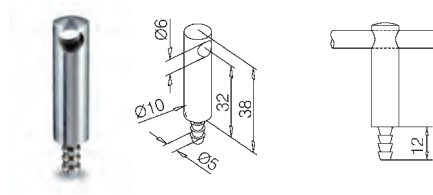
Mini rail Ø 6 mm - Mounting on wood



End bracket - 660 / 06

Art.no.

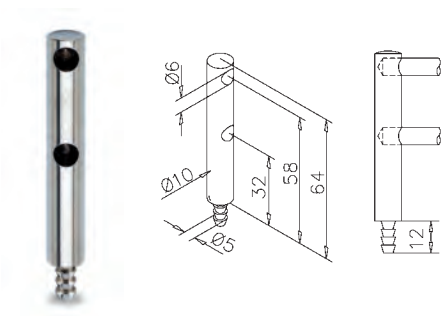
11.0660.006...



Centre bracket - 661 / 06

Art.no.

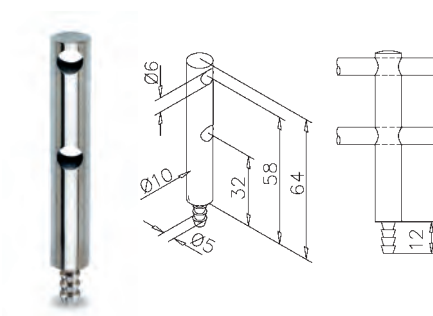
11.0661.006...



Double end bracket - 665 / 06

Art.no.

11.0665.006...



Double centre bracket - 666 / 06

Art.no.

11.0666.006...

INFO Finishes



Stainless steel design
Art.no. ...20

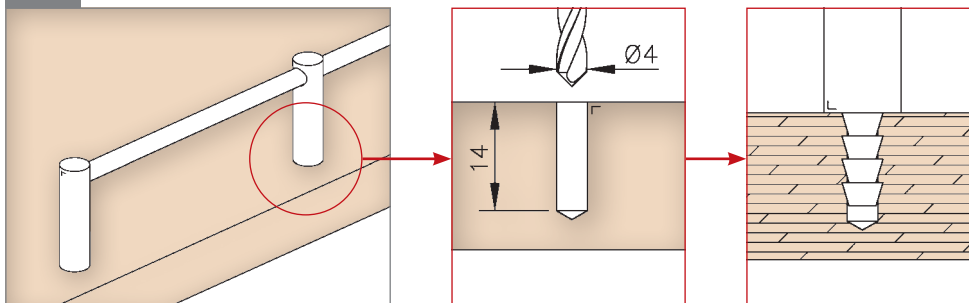


Chrome design
Art.no. ...23

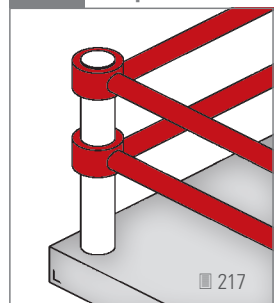


Brass design
Art.no. ...22

INFO Fixation

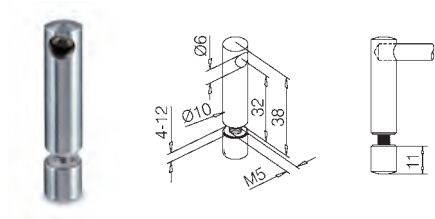


INFO Adapters



217

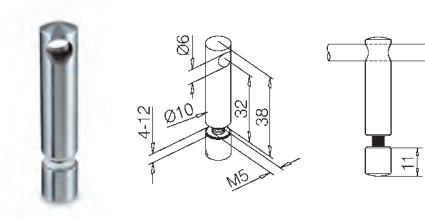
Mini rail Ø 6 mm - Mounting on glass



End bracket - 680 / 06

Art.no.

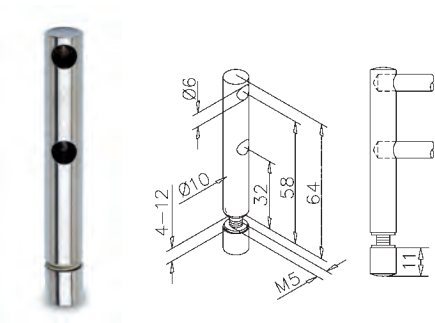
11.0680.006...



Centre bracket - 681 / 06

Art.no.

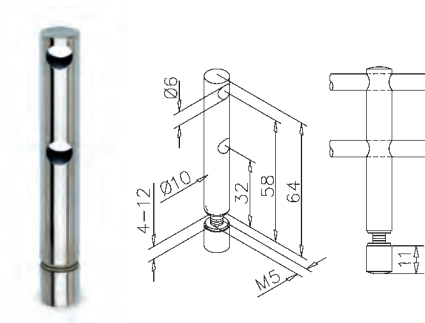
11.0681.006...



Double end bracket - 685 / 06

Art.no.

11.0685.006...



Double centre bracket - 686 / 06

Art.no.

11.0686.006...

INFO Finishes



Stainless
steel design
Art.no. ...20

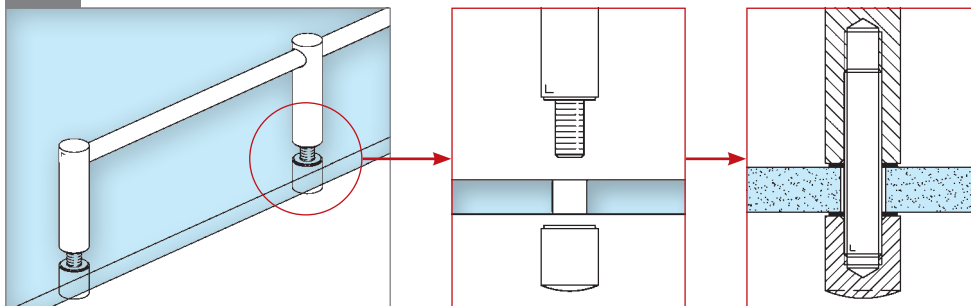


Chrome
design
Art.no. ...23

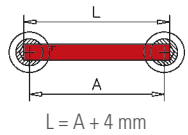
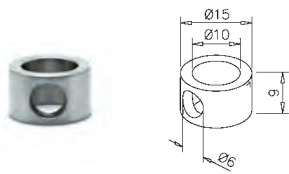


Brass
design
Art.no. ...22

INFO Fixation



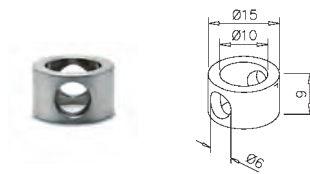
Mini rail Ø 6 mm - Adapters



690 / 06 - for end bracket

Art.no.

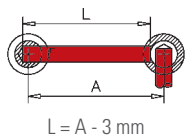
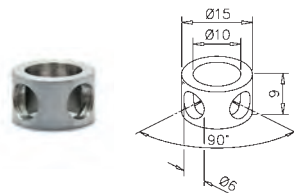
...0690.006...



691 / 06 - for centre bracket

Art.no.

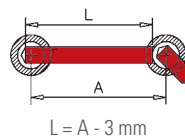
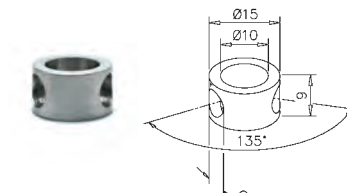
...0691.006...



692 / 06 - for elbow bracket 90°

Art.no.

...0692.006...



693 / 06 - for elbow bracket 45°

Art.no.

...0693.006...

INFO Finishes



Stainless steel design

Art.no. 12 . . . 12



Chrome design

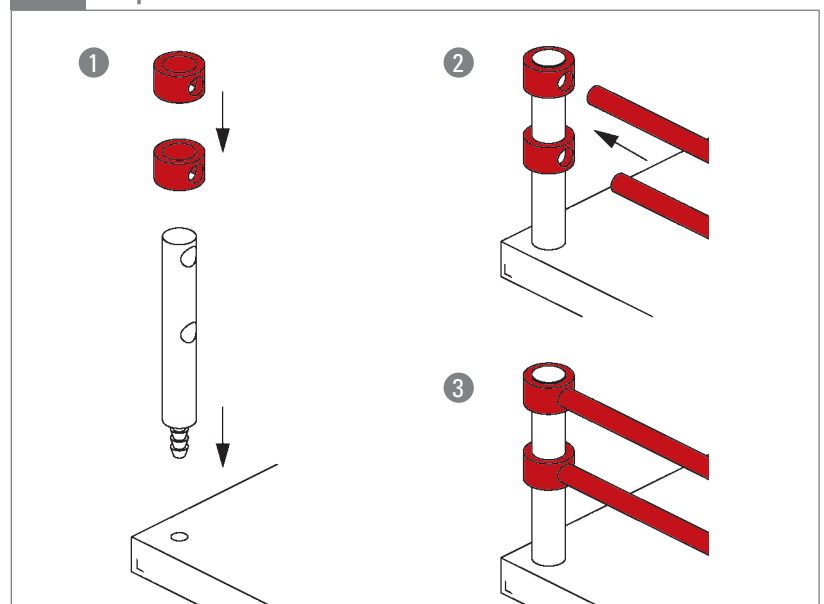
Art.no. 12 . . . 10



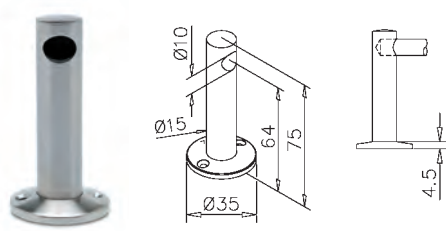
Brass design

Art.no. 11 . . . 22

INFO Adapters



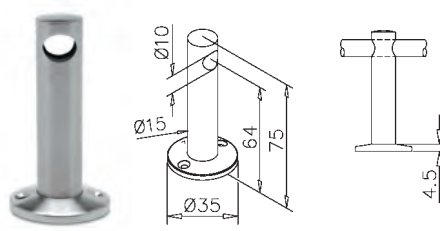
Mini rail Ø 10 mm - Mounting on wood



End bracket - 650 / 10

Art.no.

11.0650.010...



Centre bracket - 651 / 10

Art.no.

11.0651.010...

INFO Finishes



Stainless steel design
Art.no. ...20

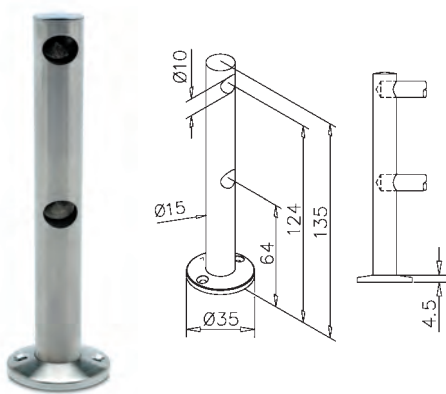


Chrome design
Art.no. ...23



Brass design
Art.no. ...22

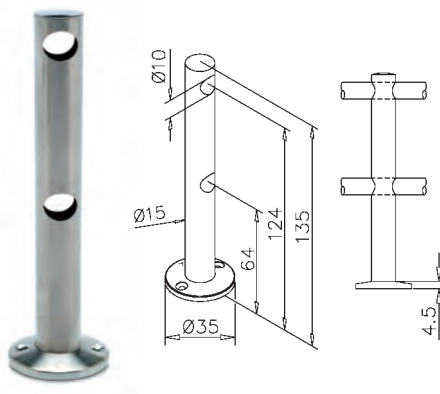
6



Double end bracket - 655 / 10

Art.no.

11.0655.010...



Double centre bracket - 656 / 10

Art.no.

11.0656.010...

INFO Finishes



Stainless steel design
Art.no. ...20



Chrome design
Art.no. ...23

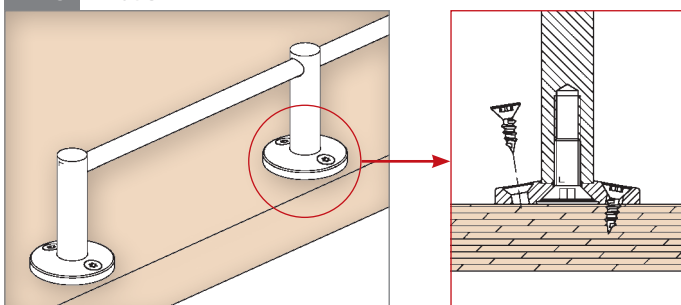


Brass design
Art.no. ...22

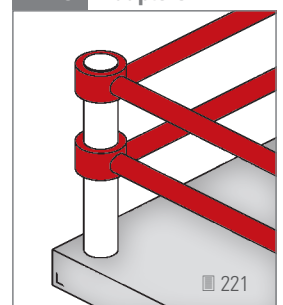


Anthracite design
Art.no. ...26

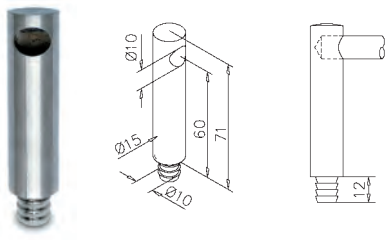
INFO Fixation



INFO Adapters



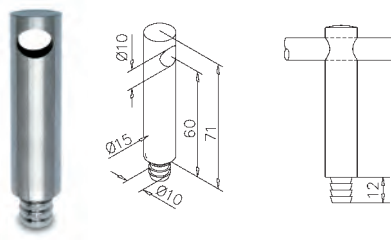
Mini rail Ø 10 mm - Mounting on wood



End bracket - 660 / 10

Art.no.

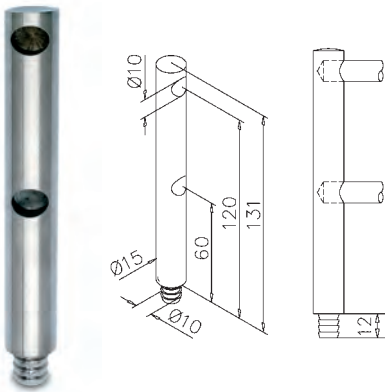
11.0660.010...



Centre bracket - 661 / 10

Art.no.

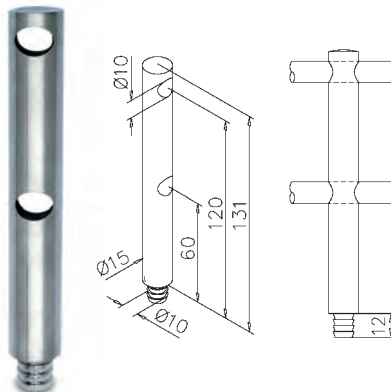
11.0661.010...



Double end bracket - 665 / 10

Art.no.

11.0665.010...



Double centre bracket - 666 / 10

Art.no.

11.0666.010...

INFO Finishes



Stainless steel design
Art.no. ...20



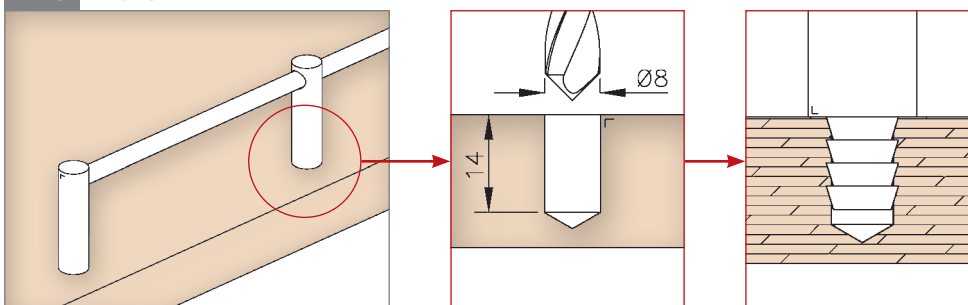
Chrome design
Art.no. ...23



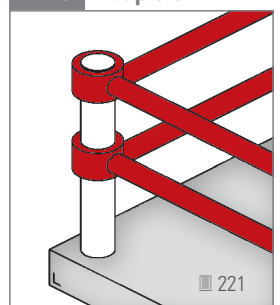
Brass design
Art.no. ...22

6

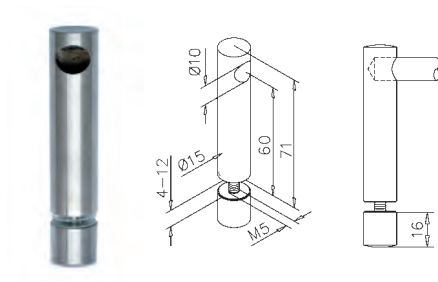
INFO Fixation



INFO Adapters



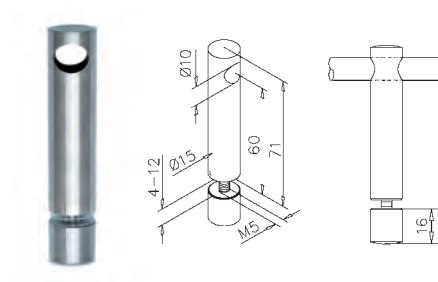
Mini rail Ø 10 mm - Mounting on glass



End bracket - 680 / 10

Art.no.

11.0680.010...

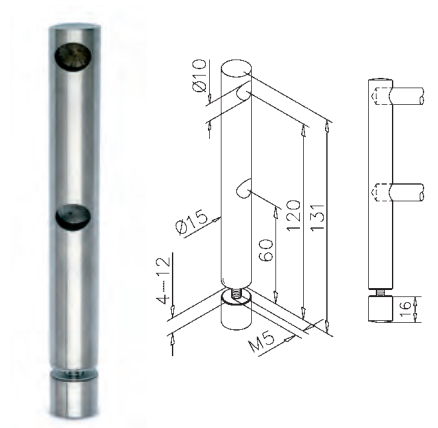
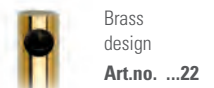


Centre bracket - 681 / 10

Art.no.

11.0681.010...

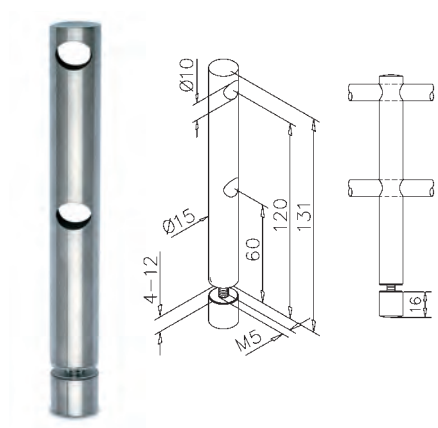
INFO Finishes



Double end bracket - 685 / 10

Art.no.

11.0685.010...

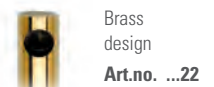
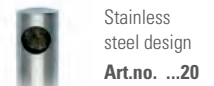


Double centre bracket - 686 / 10

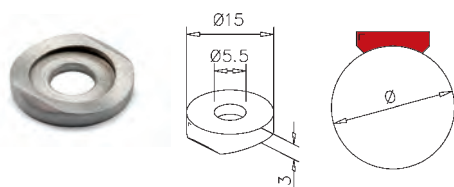
Art.no.

11.0686.010...

INFO Finishes



Mini rail Ø 10 mm - Adapters

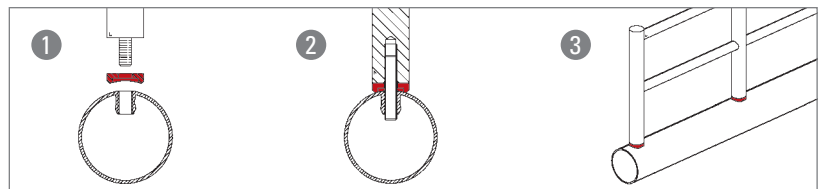


for tube connection

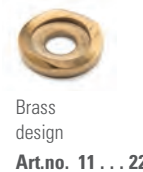
Ø Art.no.

25,4 mm ...0698.025...

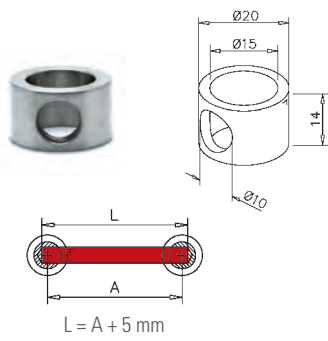
38,1 mm ...0698.038...



INFO Finishes



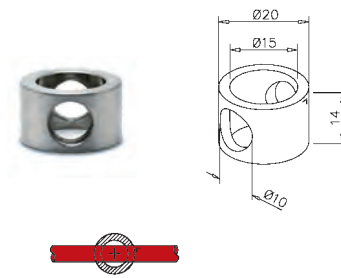
Mini rail Ø 10 mm - Adapters



690 / 10 - for end bracket

Art.no.

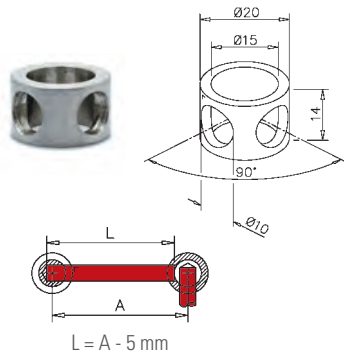
...0690.010...



691 / 10 - for centre bracket

Art.no.

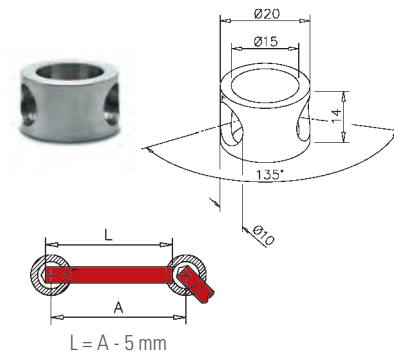
...0691.010...



692 / 10 - for elbow bracket 90°

Art.no.

...0692.010...





693 / 10 - for elbow bracket 45°

Art.no.

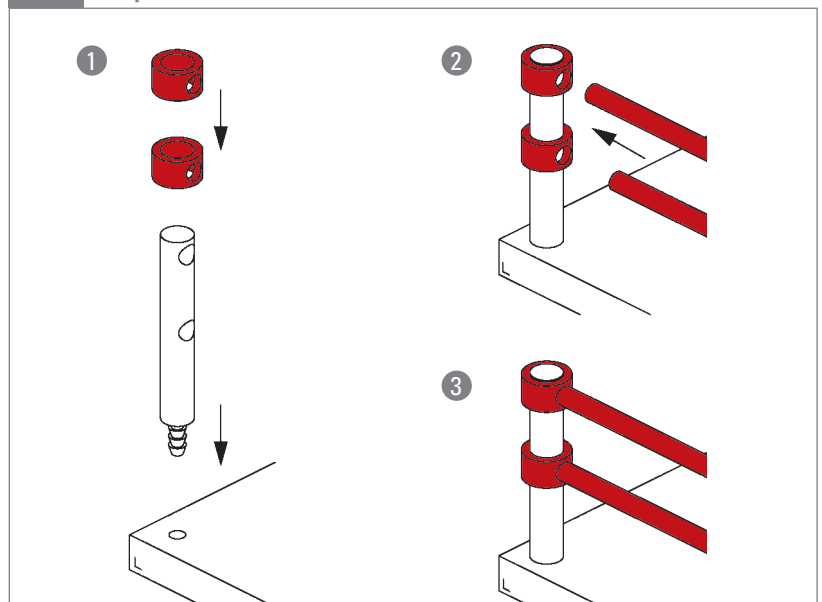
...0693.010...

INFO Finishes

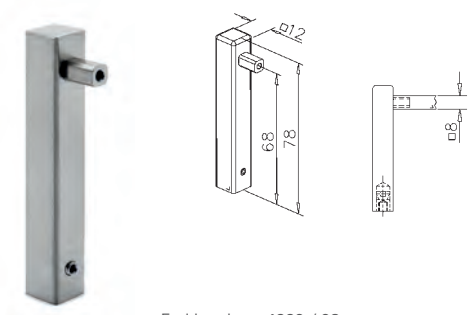
-  Stainless steel design
Art.no. 12 . . . 12
-  Chrome design
Art.no. 12 . . . 10
-  Brass design
Art.no. 11 . . . 22
-  Anthracite design
Art.no. 11 . . . 26

6

INFO Adapters



Mini rail □ 8 x 8 mm - Mounting on wood

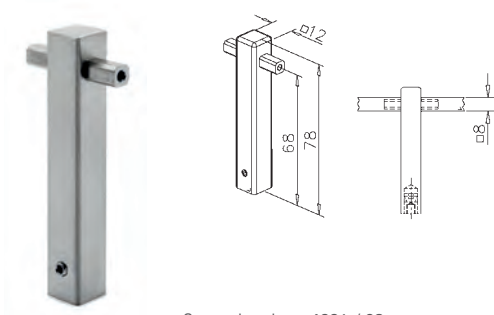


End bracket - 4660 / 08

Stainless steel design

Art.no.

12.4660.008.12

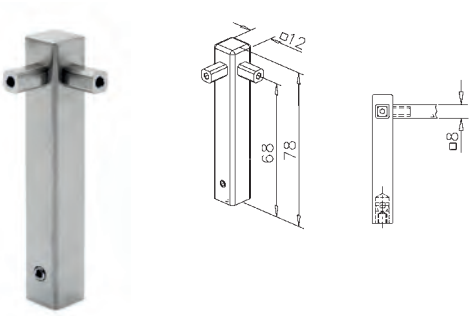


Centre bracket - 4661 / 08

Stainless steel design

Art.no.

12.4661.008.12

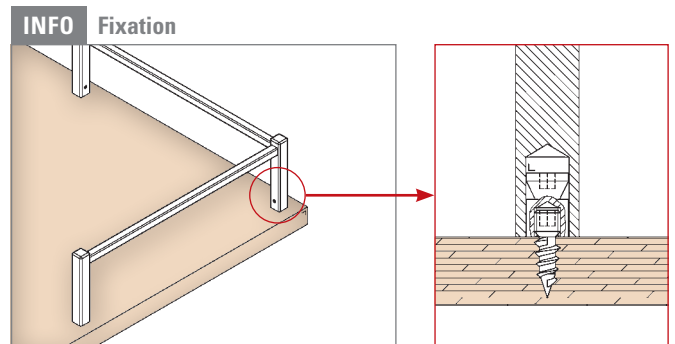


Elbow bracket 90° - 4662 / 08

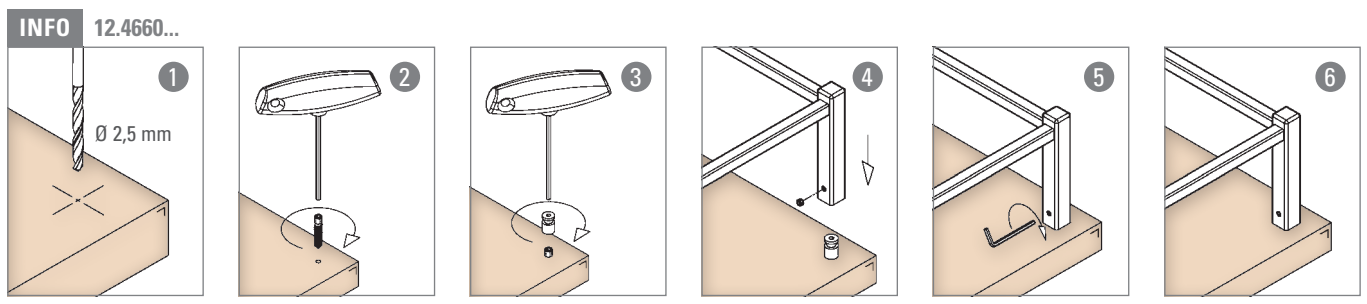
Stainless steel design

Art.no.

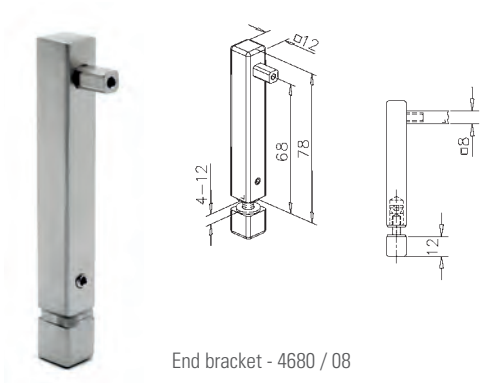
12.4662.008.12



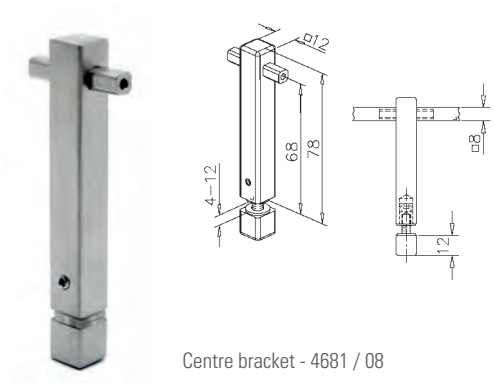
6



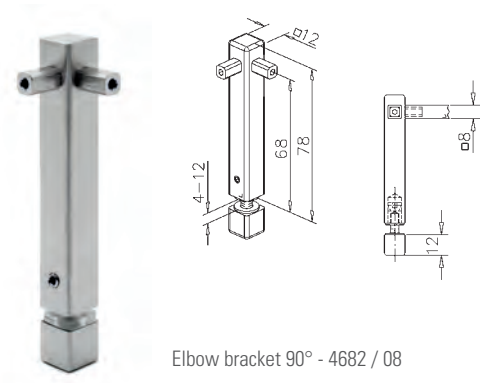
Mini rail □ 8 x 8 mm - Mounting on glass



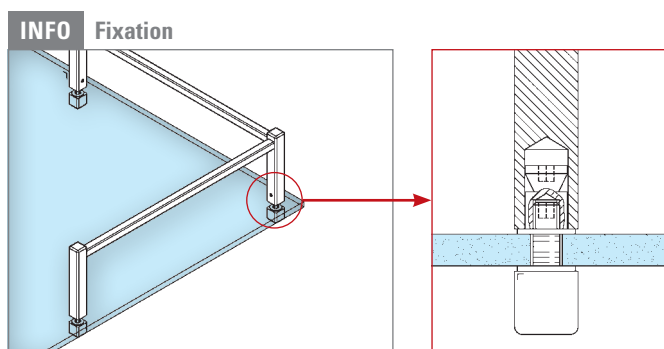
End bracket - 4680 / 08
 Stainless steel design
 Art.no.
 12.4680.008.12



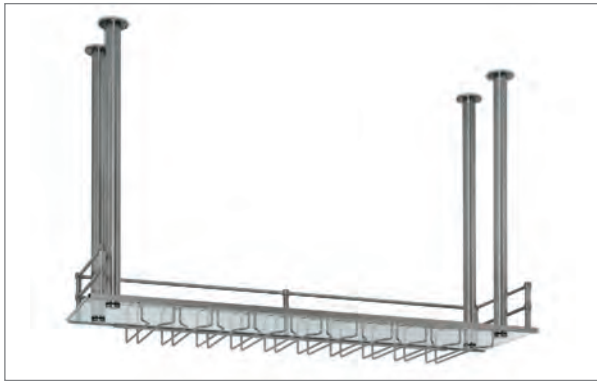
Centre bracket - 4681 / 08
 Stainless steel design
 Art.no.
 12.4681.008.12



Elbow bracket 90° - 4682 / 08
 Stainless steel design
 Art.no.
 12.4682.008.12



Bottle shelf - 410



Ø 25,4 mm / Ø 38,1 mm

INFO Finishes



Stainless steel design
Art.no. ...20



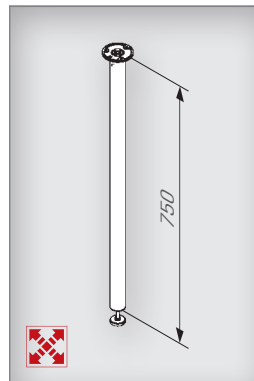
Chrome design
Art.no. ...23



Anthracite design
Art.no. ...26

410 - 1

Ø	Art.no.
25,4 mm (1")	20.4101.025...
38,1 mm (1,5")	20.4101.038...



1 x
11.0504...
(■ 259)



1 x
11/12.0512...
(■ 259)



1 x
11.0731...
(■ 266)



1 x
18.0105...
(■ 269)

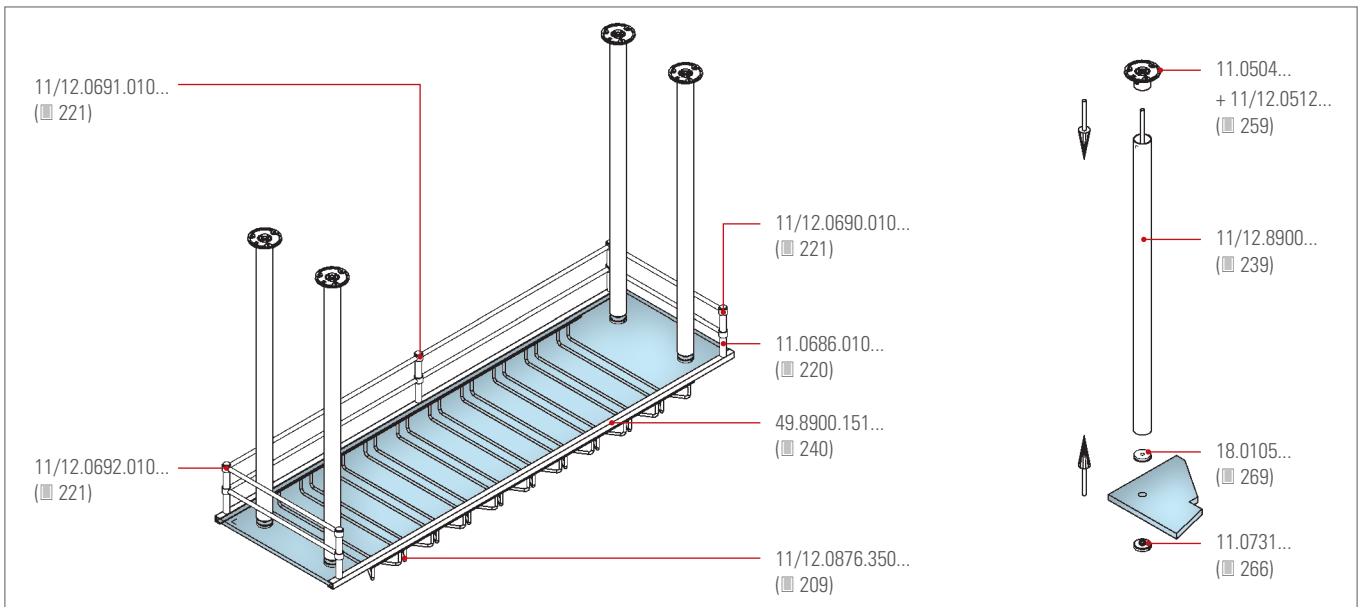


1 x
11/12.8900...
(■ 239)



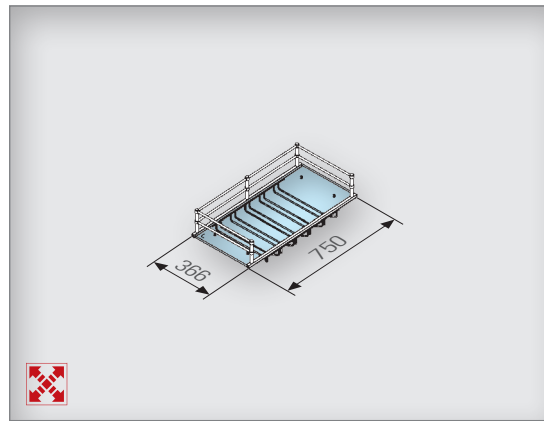
1 x
93.8800.820.15
(■ 277)

6



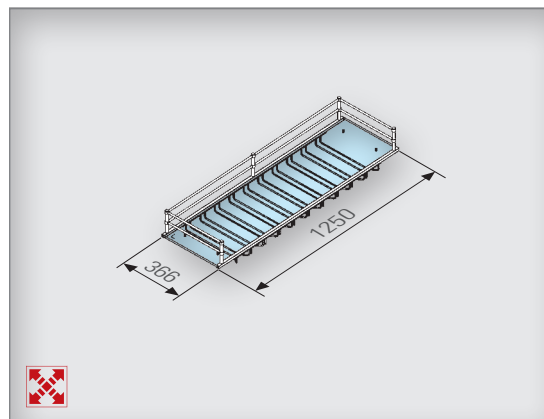
410 - 6

Ø	Art.no.
25,4 mm (1")	20.4106.025...
38,1 mm (1,5")	20.4106.038...



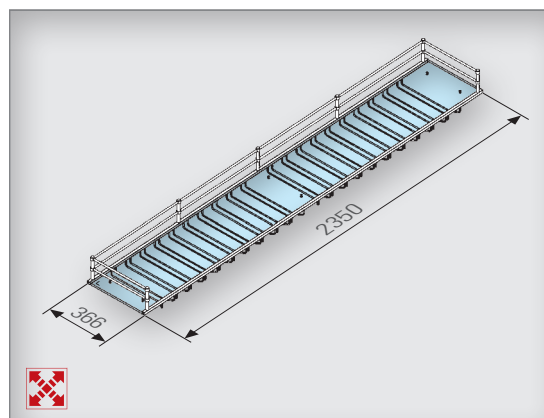
410 - 7

Ø	Art.no.
25,4 mm (1")	20.4107.025...
38,1 mm (1,5")	20.4107.038...



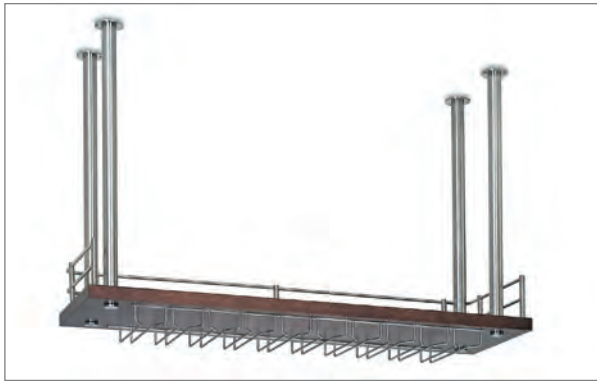
410 - 8

Ø	Art.no.
25,4 mm (1")	20.4108.025...
38,1 mm (1,5")	20.4108.038...



⇨ production according to order
⇨ other dimensions possible

Bottle shelf - 432



Ø 25,4 mm / Ø 38,1 mm

INFO Finishes



Stainless steel design
Art.no. ...20



Chrome design
Art.no. ...23



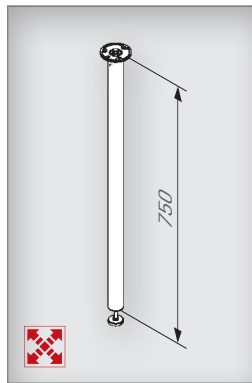
Brass design
Art.no. ...22



Anthracite design
Art.no. ...26

432 - 1

Ø	Art.no.
25,4 mm (1")	20.4321.025...
38,1 mm (1,5")	20.4321.038...



1 x
11.0504...
(■ 259)



1 x
11/12.0512...
(■ 259)



1 x
11.0731...
(■ 266)



1 x
18.0105...
(■ 269)

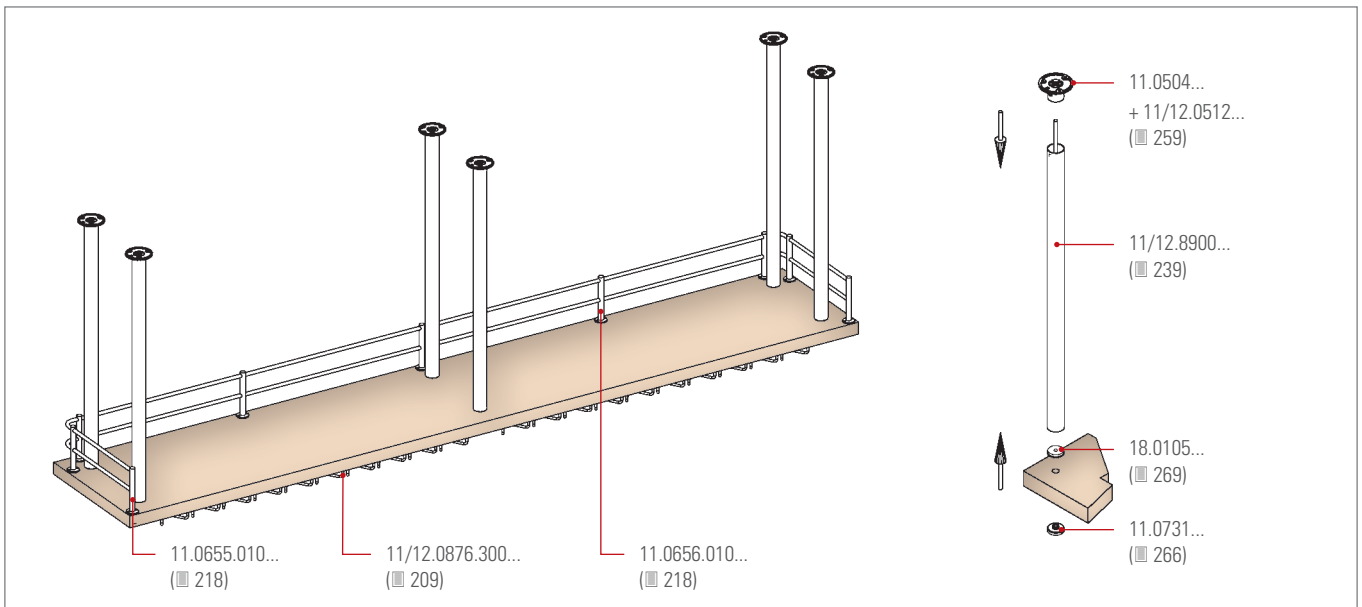


1 x
11/12.8900...
(■ 239)



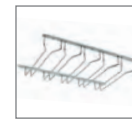
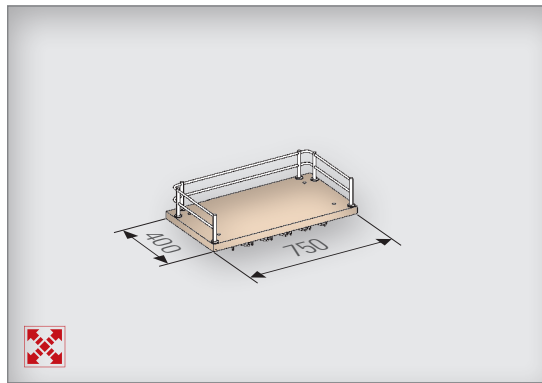
1 x
93.8800.820.15
(■ 277)

6



432 - 6

Ø	Art.no.
25,4 mm (1")	20.4326.025...
38,1 mm (1,5")	20.4326.038...



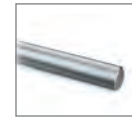
1 x
11/12.0876.300...
(■ 209)



2 x
11.0655.010...
(■ 218)



4 x
11.0656.010...
(■ 218)



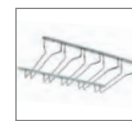
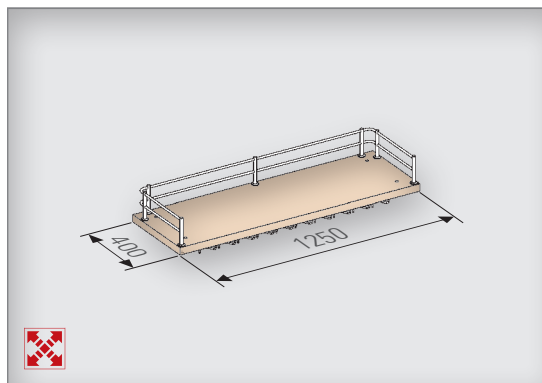
2 x
11/12.8900.010...
(■ 239)



1 x
wooden plate
75 x 40 x 4 cm

432 - 7

Ø	Art.no.
25,4 mm (1")	20.4327.025...
38,1 mm (1,5")	20.4327.038...



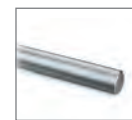
2 x
11/12.0876.300...
(■ 209)



2 x
11.0655.010...
(■ 218)



5 x
11.0656.010...
(■ 218)



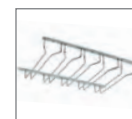
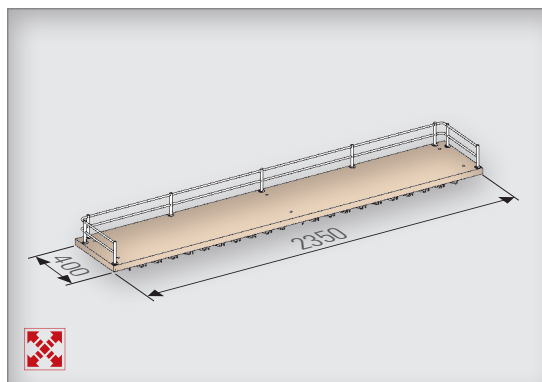
4 x
11/12.8900.010...
(■ 239)



1 x
wooden plate
125 x 40 x 4 cm

432 - 8

Ø	Art.no.
25,4 mm (1")	20.4328.025...
38,1 mm (1,5")	20.4328.038...



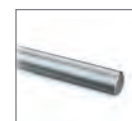
4 x
11/12.0876.300...
(■ 209)



2 x
11.0655.010...
(■ 218)



7 x
11.0656.010...
(■ 218)



4 x
11/12.8900.010...
(■ 239)



1 x
wooden plate
235 x 40 x 4 cm

INFO Stain colours



P 10

P 11

P 21

P 36



P 37

P 43

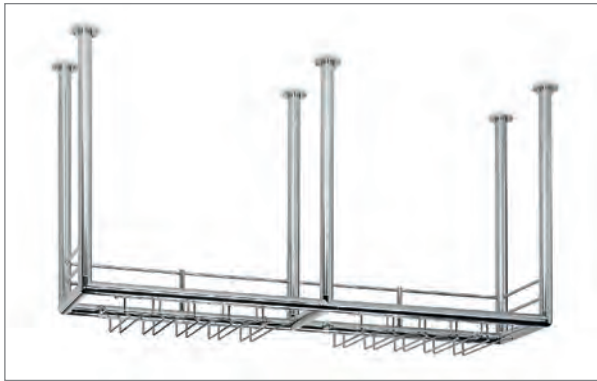
KB 7

nature



⇨ production according to order
⇨ other dimensions possible

Bottle shelf - 430



Ø 25,4 mm / Ø 38,1 mm

INFO Finishes



Stainless steel design
Art.no. ...20



Chrome design
Art.no. ...23



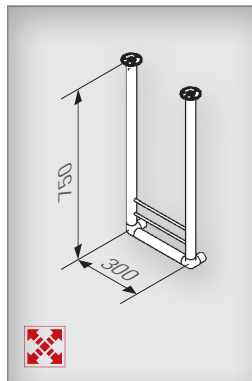
Brass design
Art.no. ...22



Anthracite design
Art.no. ...26

430 - 1

Ø	Art.no.
25,4 mm (1")	20.4301.025...
38,1 mm (1,5")	20.4301.038...



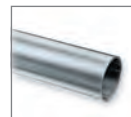
2 x
11.0504...
(■ 259)



2 x
11/12.0512...
(■ 259)



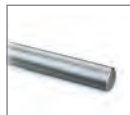
2 x
11.0304...
(■ 252)



3 x
11/12.8900...
(■ 239)



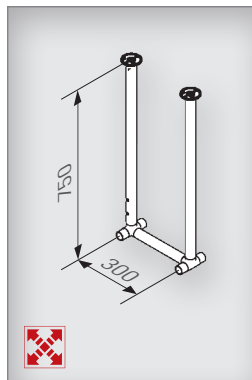
2 x
93.8800.820.15
(■ 277)



2 x
11/12.8900.010...
(■ 239)

430 - 2

Ø	Art.no.
25,4 mm (1")	20.4302.025...
38,1 mm (1,5")	20.4302.038...



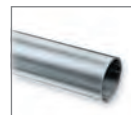
2 x
11.0504...
(■ 259)



2 x
11/12.0512...
(■ 259)



2 x
11.0308...
(■ 253)



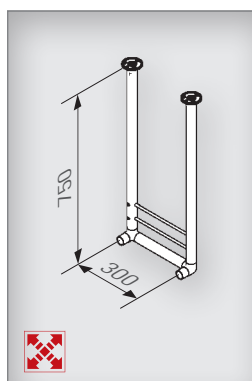
3 x
11/12.8900...
(■ 239)



2 x
93.8800.820.15
(■ 277)

430 - 3

Ø	Art.no.
25,4 mm (1")	20.4303.025...
38,1 mm (1,5")	20.4303.038...



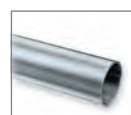
2 x
11.0504...
(■ 259)



2 x
11/12.0512...
(■ 259)



2 x
11.0304...
(■ 252)



3 x
11/12.8900...
(■ 239)



2 x
93.8800.820.15
(■ 277)

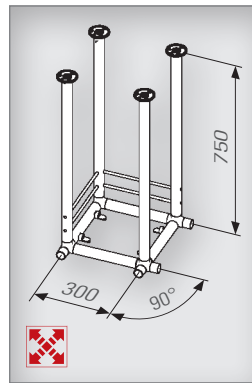


2 x
11/12.8900.010...
(■ 239)

430 - 5

Ø	Art.no.
25,4 mm (1")	20.4305.025...
38,1 mm (1,5")	20.4305.038...

(Anthracite design not available)



4 x
11.0504...
(259)



4 x
11/12.0512...
(259)



1 x
11.0304...
(252)



2 x
11.0308...
(253)



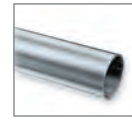
1 x
11.0309...
(253)



1 x
11.0724...
(249)



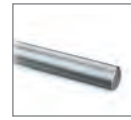
4 x
10.2950...
(153)



8 x
11/12.8900...
(239)



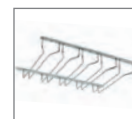
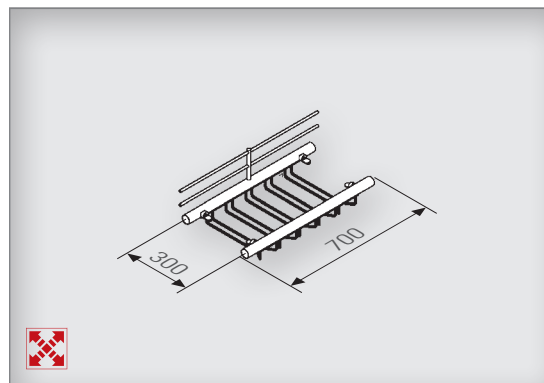
4 x
93.8800.820.15
(277)



4 x
11/12.8900.010...
(239)

430 - 6

Ø	Art.no.
25,4 mm (1")	20.4306.025...
38,1 mm (1,5")	20.4306.038...



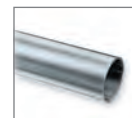
1 x
11/12.0876.300...
(209)



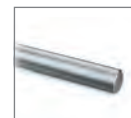
4 x
10.2950...
(153)



1 x
11.0686.010...
+ 11/12.0698...
(220)



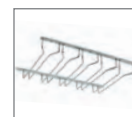
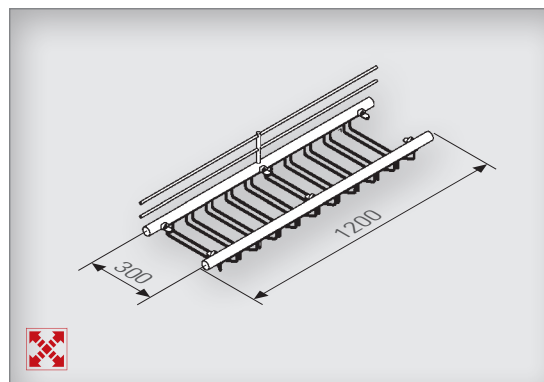
2 x
11/12.8900...
(239)



2 x
11/12.8900.010...
(239)

430 - 8

Ø	Art.no.
25,4 mm (1")	20.4308.025...
38,1 mm (1,5")	20.4308.038...



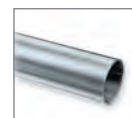
2 x
11/12.0876.300...
(209)



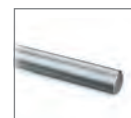
6 x
10.2950...
(153)



1 x
11.0686.010...
+ 11/12.0698...
(220)

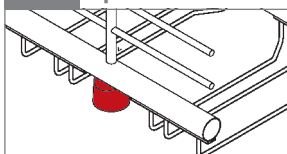


2 x
11/12.8900...
(239)



2 x
11/12.8900.010...
(239)

INFO optional



for Ø 38,1 mm (1,5"):
11/12.0991.038... (203)



⇨ production according to order
⇨ other dimensions possible

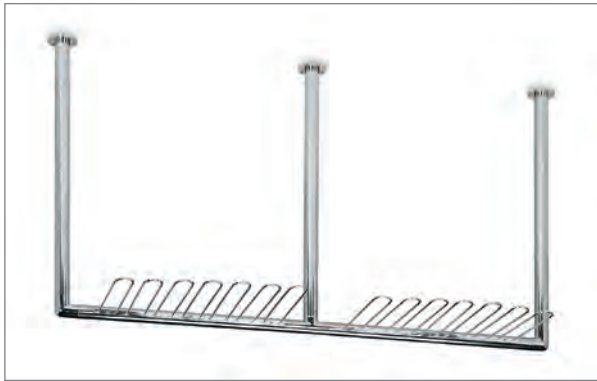
INFO optional

Toughened glass /
Laminated glass



(273)

Bottle shelf - 434



Ø 25,4 mm / Ø 38,1 mm

INFO Finishes



Stainless steel design

Art.no. ...20



Chrome design

Art.no. ...23



Brass design

Art.no. ...22



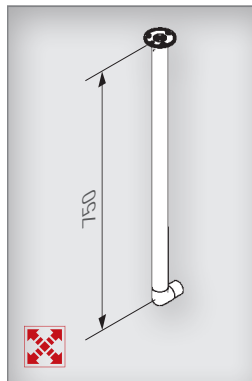
Ø 38,1

Anthracite design

Art.no. ...26

434 - 1

Ø	Art.no.
25,4 mm (1")	20.4341.025...
38,1 mm (1,5")	20.4341.038...



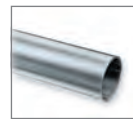
1 x
11.0504...
(■ 259)



1 x
11/12.0512...
(■ 259)



1 x
11.0303...
(■ 251)



1 x
11/12.8900...
(■ 239)

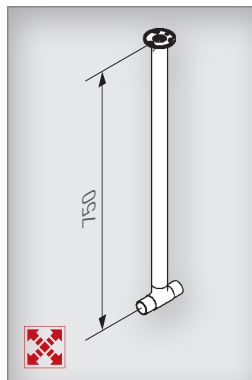


1 x
93.8800.820.15
(■ 277)

6

434 - 2

Ø	Art.no.
25,4 mm (1")	20.4342.025...
38,1 mm (1,5")	20.4342.038...



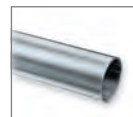
1 x
11.0504...
(■ 259)



1 x
11/12.0512...
(■ 259)



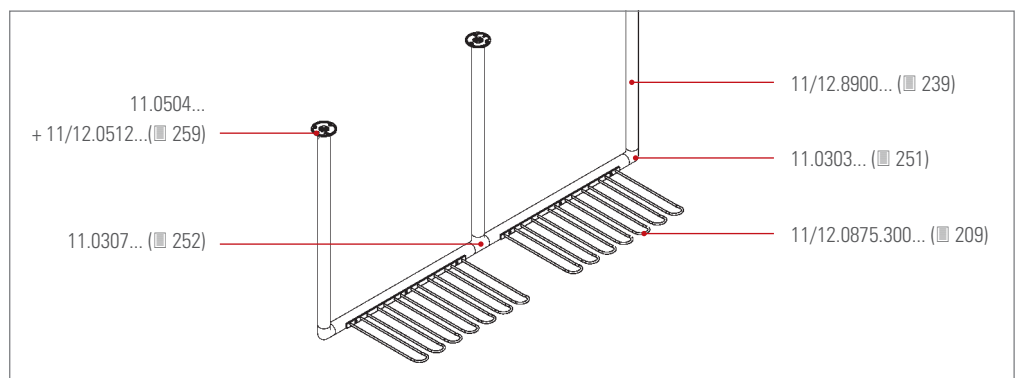
1 x
11.0307...
(■ 252)



1 x
11/12.8900...
(■ 239)

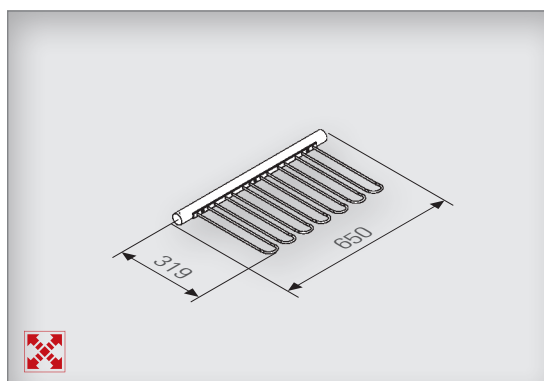


1 x
93.8800.820.15
(■ 277)



434 - 6

Ø	Art.no.
25,4 mm (1")	20.4346.025...
38,1 mm (1,5")	20.4346.038...



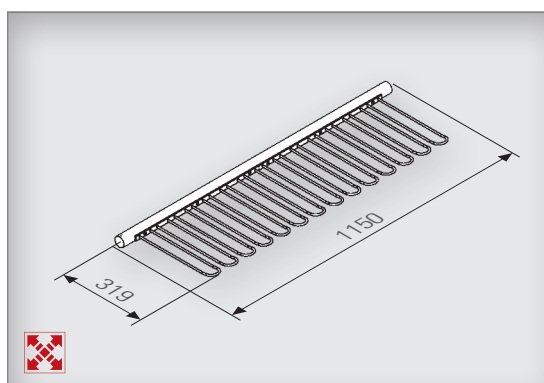
1 x
11/12.0875.300...
(■ 209)



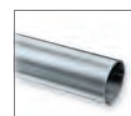
1 x
11/12.8900...
(■ 239)

434 - 8

Ø	Art.no.
25,4 mm (1")	20.4348.025...
38,1 mm (1,5")	20.4348.038...



2 x
11/12.0875.300...
(■ 209)

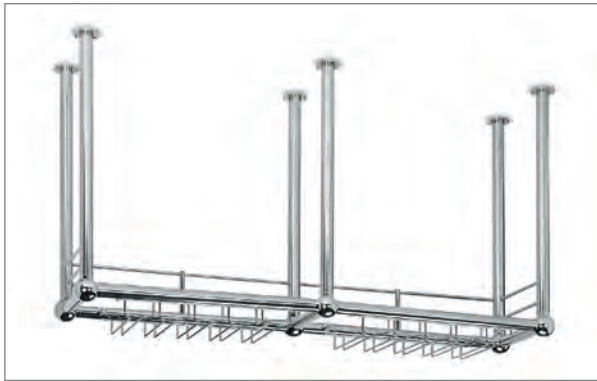


1 x
11/12.8900...
(■ 239)



⇒ production according to order
⇒ other dimensions possible

Bottle shelf - 436



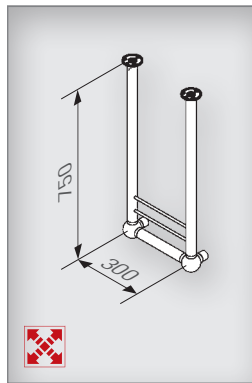
Ø 38,1 mm

INFO Finishes

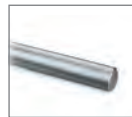
		
Stainless steel design Art.no. ...20	Chrome design Art.no. ...23	Brass design Art.no. ...22

436 - 1

Ø	Art.no.
38,1 mm (1,5")	20.4361.038...



2 x 11.0504.038... (■ 259)	2 x 11/12.0512.038... (■ 259)	2 x 11.0205.038... (■ 247)	3 x 11/12.8900.038... (■ 239)	2 x 93.8800.820.15 (■ 277)
----------------------------------	-------------------------------------	----------------------------------	-------------------------------------	----------------------------------

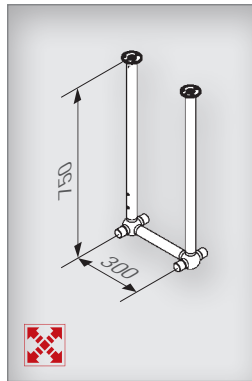


2 x 11/12.8900.010... (■ 239)

6

436 - 2

Ø	Art.no.
38,1 mm (1,5")	20.4362.038...

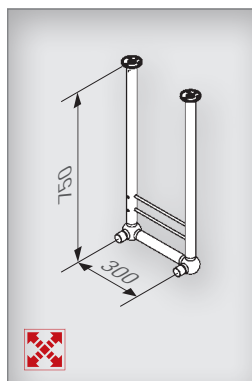


2 x 11.0504.038... (■ 259)	2 x 11/12.0512.038... (■ 259)	2 x 11.0207.038... (■ 248)	3 x 11/12.8900.038... (■ 239)	2 x 93.8800.820.15 (■ 277)
----------------------------------	-------------------------------------	----------------------------------	-------------------------------------	----------------------------------

NEW

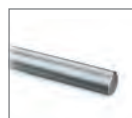
436 - 3

Ø	Art.no.
38,1 mm (1,5")	20.4363.038...



2 x 11.0504.038... (■ 259)	2 x 11/12.0512.038... (■ 259)	2 x 11.0205.038... (■ 247)	3 x 11/12.8900.038... (■ 239)	2 x 93.8800.820.15 (■ 277)
----------------------------------	-------------------------------------	----------------------------------	-------------------------------------	----------------------------------

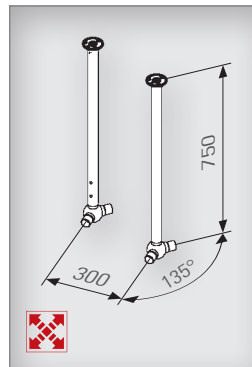
NEW



2 x 11/12.8900.010... (■ 239)

436 - 4

Ø	Art.no.
38,1 mm (1,5")	20.4364.038...



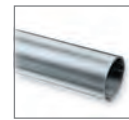
2 x
11.0504.038...
(■ 259)



2 x
11/12.0512.038...
(■ 259)



2 x
11.0204.038...
(■ 247)



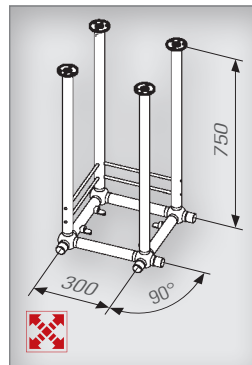
2 x
11/12.8900.038...
(■ 239)



2 x
93.8800.820.15
(■ 277)

436 - 5

Ø	Art.no.
38,1 mm (1,5")	20.4365.038...



4 x
11.0504.038...
(■ 259)



4 x
11/12.0512.038...
(■ 259)



3 x
11.0207.038...
(■ 248)



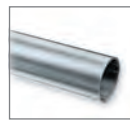
1 x
11.0205.038...
(■ 247)



1 x
11.0724.038...
(■ 249)



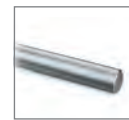
4 x
10.2950.038...
(■ 153)



8 x
11/12.8900.038...
(■ 239)



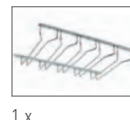
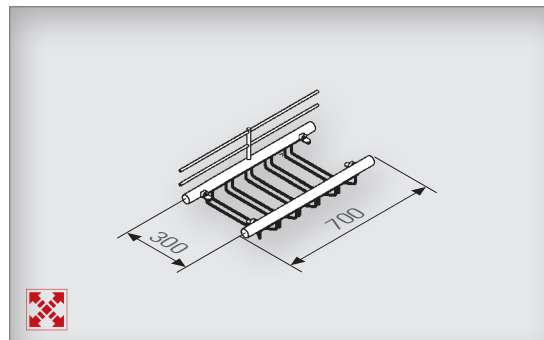
4 x
93.8800.820.15
(■ 277)



4 x
11/12.8900.010...
(■ 239)

436 - 6

Ø	Art.no.
38,1 mm (1,5")	20.4366.038...



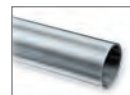
1 x
11/12.0876.300...
(■ 209)



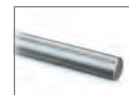
4 x
10.2950.038...
(■ 153)



1 x
11.0686.010...
+ 11/12.0698...
(■ 220)



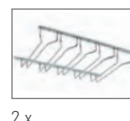
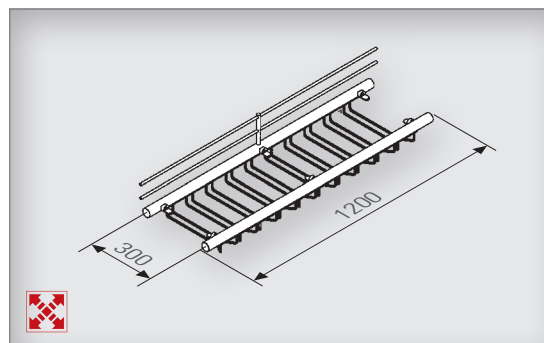
2 x
11/12.8900.038...
(■ 239)



2 x
11/12.8900.010...
(■ 239)

436 - 8

Ø	Art.no.
38,1 mm (1,5")	20.4368.038...



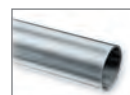
2 x
11/12.0876.300...
(■ 209)



6 x
10.2950.038...
(■ 153)



1 x
11.0686.010...
+ 11/12.0698...
(■ 220)

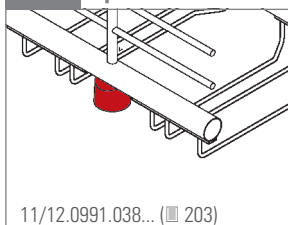


2 x
11/12.8900.038...
(■ 239)



2 x
11/12.8900.010...
(■ 239)

INFO optional



11/12.0991.038... (■ 203)



⇨ production according to order
⇨ other dimensions possible

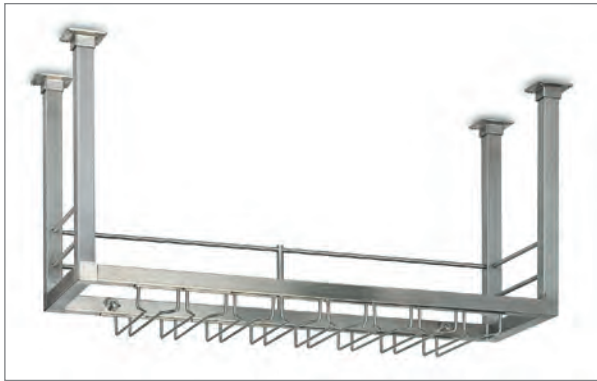
INFO optional

Toughened glass /
Laminated glass



(■ 273)

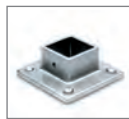
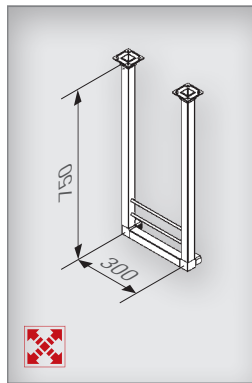
Bottle shelf - 438



Stainless steel design
□ 35 x 35 mm

438 - 1

□	Art.no.
35 x 35 mm	20.4381.035.20



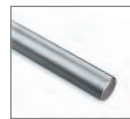
2 x
12.4505.035.12
(■ 261)



2 x
12.4304.035.12
(■ 254)



3 x
12.4890.035.12
(■ 238)

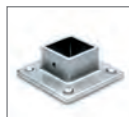
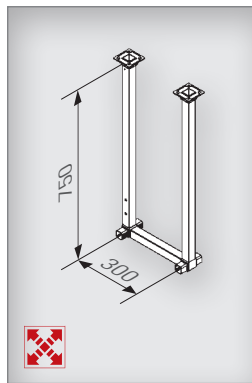


2 x
12.8900.010.12
(■ 239)

6

438 - 2

□	Art.no.
35 x 35 mm	20.4382.035.20



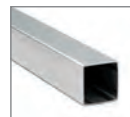
2 x
12.4505.035.12
(■ 261)



2 x
12.4303.035.12
(■ 254)



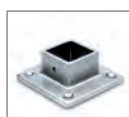
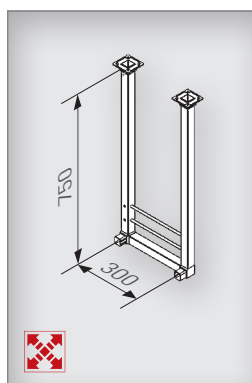
4 x
12.4725.035.12
(■ 254)



3 x
12.4890.035.12
(■ 238)

438 - 3

□	Art.no.
35 x 35 mm	20.4383.035.20



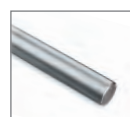
2 x
12.4505.035.12
(■ 261)



2 x
12.4304.035.12
(■ 254)



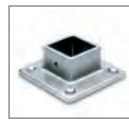
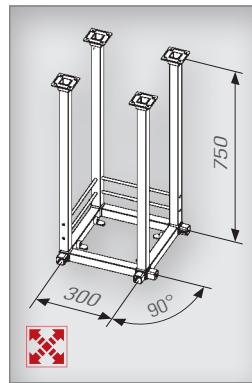
3 x
12.4890.035.12
(■ 238)



2 x
12.8900.010.12
(■ 239)

438 - 5

	Art.no.
35 x 35 mm	20.4385.035.20



4 x
12.4505.035.12
(■ 261)



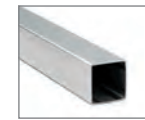
4 x
12.4304.035.12
(■ 254)



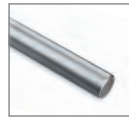
4 x
12.4725.035.12
(■ 254)



4 x
10.2950.000.20
(■ 153)



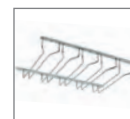
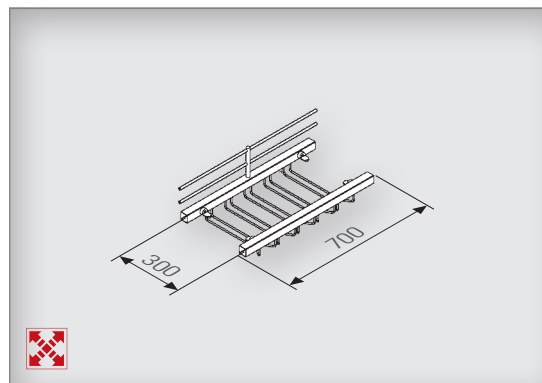
8 x
12.4890.035.12
(■ 238)



4 x
12.8900.010.12
(■ 239)

438 - 6

	Art.no.
35 x 35 mm	20.4386.035.20



1 x
12.0876.300.12
(■ 209)



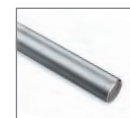
4 x
10.2950.000.20
(■ 153)



1 x
11.0686.010.20
(■ 220)



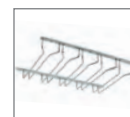
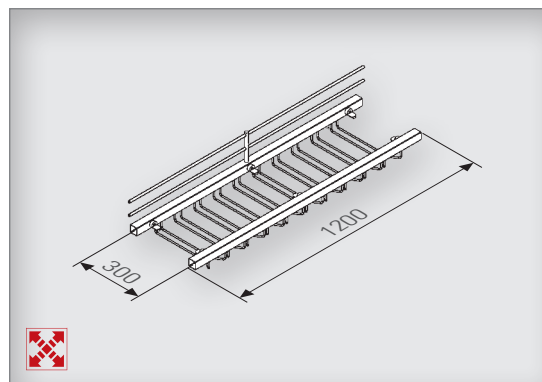
2 x
12.4890.035.12
(■ 238)



2 x
12.8900.010.12
(■ 239)

438 - 8

	Art.no.
35 x 35 mm	20.4388.035.20



2 x
12.0876.300.12
(■ 209)



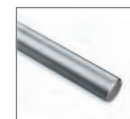
6 x
10.2950.000.20
(■ 153)



1 x
11.0686.010.20
(■ 220)



2 x
12.4890.035.12
(■ 238)



2 x
12.8900.010.12
(■ 239)



⇨ production according to order
⇨ other dimensions possible

INFO optional

Toughened glass /
Laminated glass



(■ 273)



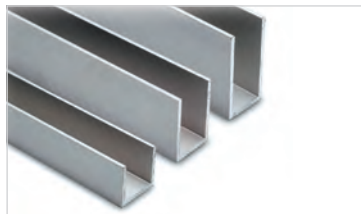
7

Tubes, rods and profiles



7 Tubes and rods

238



7 Aluminium profiles

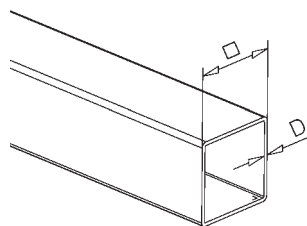
240



7 Bending

242

Square tubes

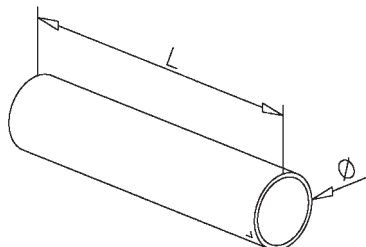
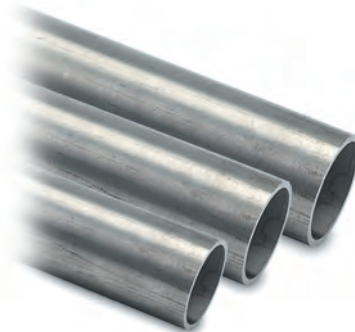


INFO Finishes



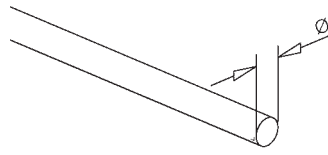
□	L	D	Stainless steel design Art.no.	Chrome design Art.no.
8 x 8 mm	2500 mm	1,0 mm	12.4925.008.12	
8 x 8 mm	cutted	1,0 mm	12.4890.008.12	
20 x 20 mm	5000 mm	1,5 mm	12.4900.020.12	
20 x 20 mm	2500 mm	1,5 mm	12.4925.020.12	12.4925.020.10
20 x 20 mm	cutted	1,5 mm	12.4890.020.12	12.4890.020.10
35 x 35 mm	5000 mm	1,5 mm	12.4900.035.12	
35 x 35 mm	2500 mm	1,5 mm	12.4925.035.12	
35 x 35 mm	cutted	1,5 mm	12.4890.035.12	

Inner tubes



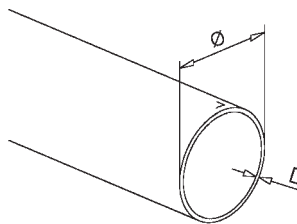
Ø	L	Stainless steel Art.no.
22,5 mm	per metre, max. 5,0 m	12.8911.025.00
35,0 mm	per metre, max. 5,0 m	12.8911.038.00
48,0 mm	per metre, max. 5,0 m	12.8911.050.00

Rods



Ø	L	Stainless steel design	Chrome design	Brass design	Anthracite design
		Art.no.	Art.no.	Art.no.	Art.no.
6,0 mm	2500 mm	12.8925.006.12	12.8925.006.10	11.8925.006.22	
6,0 mm	cutted	12.8900.006.12	12.8900.006.10	11.8900.006.22	
10,0 mm	2500 mm	12.8925.010.12	12.8925.010.10	11.8925.010.22	11.8925.010.26
10,0 mm	cutted	12.8900.010.12	12.8900.010.10	11.8900.010.22	11.8900.010.26

Tubes



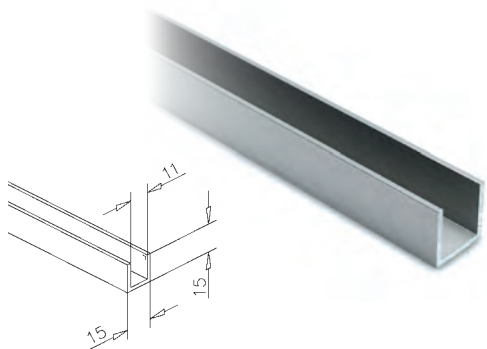
INFO Finishes



Ø	L	D	Stainless steel design	Chrome design	Brass design	Anthracite design
			Art.no.	Art.no.	Art.no.	Art.no.
19,0 mm	5000 mm	1,0 mm	12.0900.019.12			
19,0 mm	2500 mm	1,0 mm	12.8925.019.12	12.8925.019.10	11.8925.019.22	11.8925.019.26
19,0 mm	cutted	1,0 mm	12.8900.019.12	12.8900.019.10	11.8900.019.22	11.8900.019.26
25,4 mm (1")	5000 mm	1,27 mm	12.0900.025.12	12.0900.025.10		
25,4 mm (1")	3200 mm	1,27 mm			11.8932.025.22	11.8932.025.26
25,4 mm (1")	2500 mm	1,27 mm	12.8925.025.12	12.8925.025.10	11.8925.025.22	11.8925.025.26
25,4 mm (1")	cutted	1,27 mm	12.8900.025.12	12.8900.025.10	11.8900.025.22	11.8900.025.26
38,1 mm (1,5")	5000 mm	1,27 mm	12.0900.038.12	12.0900.038.10		
38,1 mm (1,5")	3200 mm	1,27 mm			11.8932.038.22	11.8932.038.26
38,1 mm (1,5")	2500 mm	1,27 mm	12.8925.038.12	12.8925.038.10	11.8925.038.22	11.8925.038.26
38,1 mm (1,5")	cutted	1,27 mm	12.8900.038.12	12.8900.038.10	11.8900.038.22	11.8900.038.26
50,8 mm (2")	5000 mm	1,27 mm	12.0900.050.12	12.0900.050.10		
50,8 mm (2")	3200 mm	1,27 mm			11.8932.050.22	
50,8 mm (2")	2500 mm	1,27 mm	12.8925.050.12	12.8925.050.10	11.8925.050.22	
50,8 mm (2")	cutted	1,27 mm	12.8900.050.12	12.8900.050.10	11.8900.050.22	

NEW

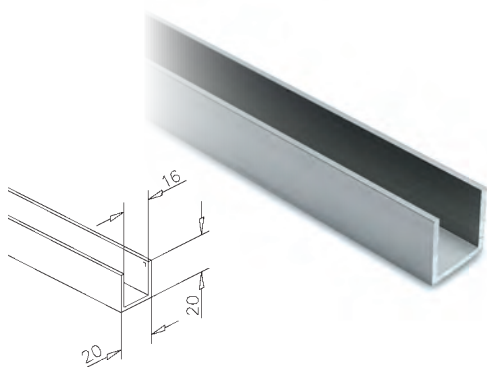
U-channel profile - 15 x 15 x 15



Aluminium

U	L	Art.no.
15 x 15 x 15 mm	5000 mm	49.0900.151...
15 x 15 x 15 mm	2500 mm	49.8925.151...
15 x 15 x 15 mm	cutted	49.8900.151...

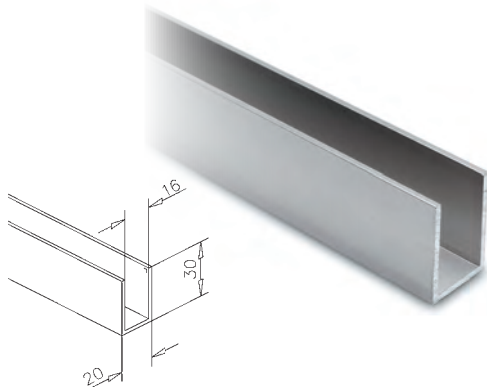
U-channel profile - 20 x 20 x 20



Aluminium

U	L	Art.no.
20 x 20 x 20 mm	5000 mm	49.0900.202...
20 x 20 x 20 mm	2500 mm	49.8925.202...
20 x 20 x 20 mm	cutted	49.8900.202...

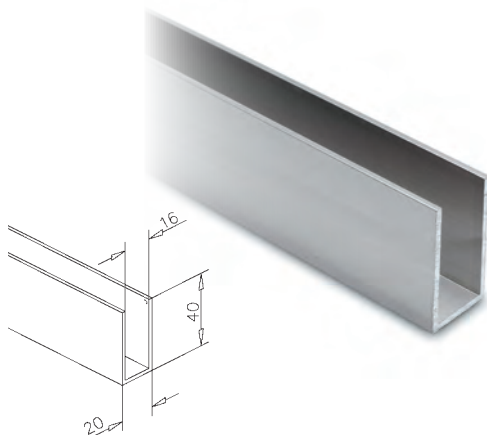
U-channel profile - 30 x 20 x 30



Aluminium

U	L	Art.no.
30 x 20 x 30 mm	5000 mm	49.0900.302...
30 x 20 x 30 mm	2500 mm	49.8925.302...
30 x 20 x 30 mm	cutted	49.8900.302...

U-channel profile - 40 x 20 x 40



Aluminium

U	L	Art.no.
40 x 20 x 40 mm	5000 mm	49.0900.402...
40 x 20 x 40 mm	2500 mm	49.8925.402...
40 x 20 x 40 mm	cutted	49.8900.402...

INFO Finishes



stainless steel design

Art.no. ...19



silver matt anodized

Art.no. ...46



L 2500 mm

chrome design

Art.no. ...48



anthracite design

Art.no. ...26



raw

Art.no. ...00

U-channel profile - 40 x 25 x 40



Aluminium

U	L	Art.no.
40 x 25 x 40 mm	5000 mm	49.0900.425...
40 x 25 x 40 mm	2500 mm	49.8925.425...
40 x 25 x 40 mm	cutted	49.8900.425...

INFO Finishes



stainless steel design

Art.no. ...19



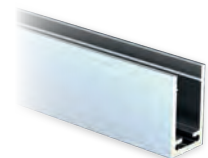
silver matt anodized

Art.no. ...46



anthracite design

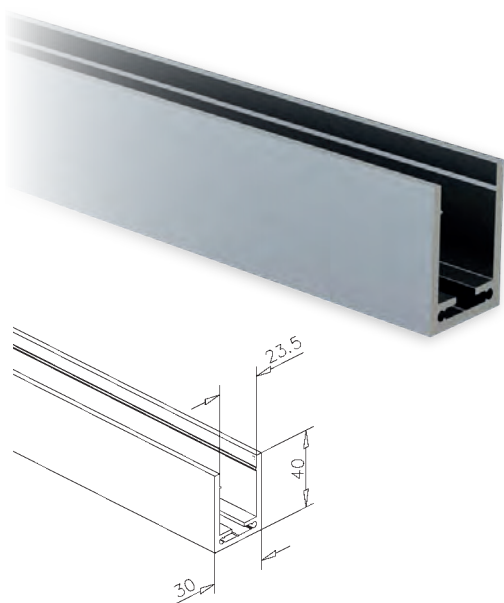
Art.no. ...26



raw

Art.no. ...00

U-channel profile - 40 x 30 x 40



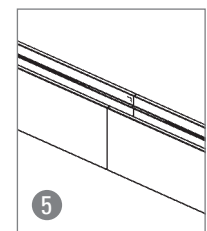
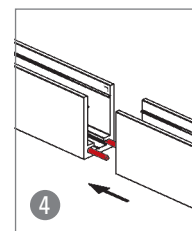
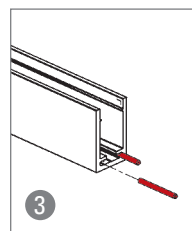
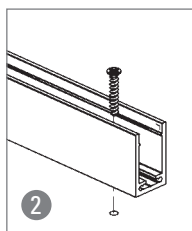
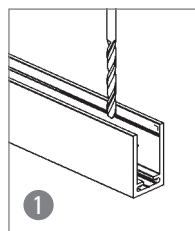
Aluminium

U	L	Art.no.
40 x 30 x 40 mm	5000 mm	49.0900.403...
40 x 30 x 40 mm	2500 mm	49.8925.403...
40 x 30 x 40 mm	cutted	49.8900.403...

INFO optional

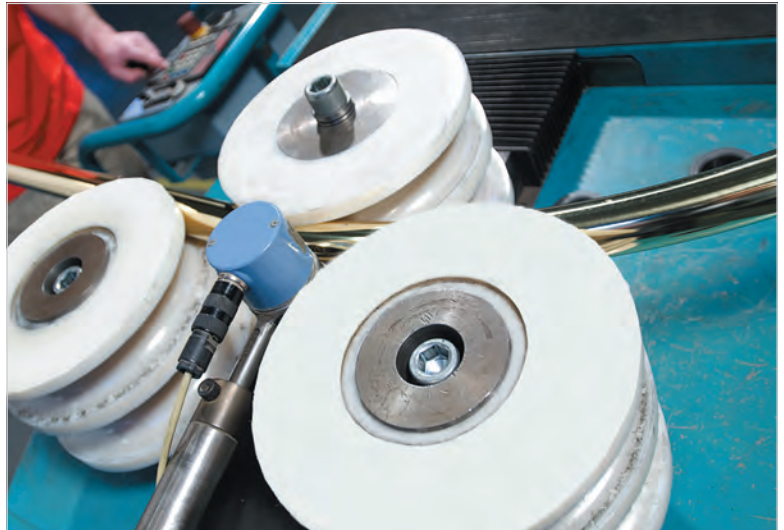


Centering-coupling pin
Art.no.
93.1010.330.00 (■ 107)





7



Half and quarter circles, angles,
S-bends or rings . . .
tubes, rods and profiles are bent
exactly according to your specification.



Proposal inquiry







8 Ball fittings **246**



8 Flush angles **250**



8 Adapters **256**

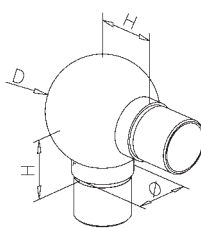


8 Flanges and rosettes **257**

Ball elbow - 200

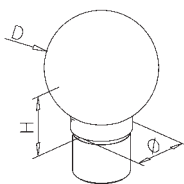


90°



Ø	Art.no.	H	D
25,4 mm (1")	11.0200.025...	28	Ø45
38,1 mm (1,5")	11.0200.038...	40	Ø70

External ball top - 201

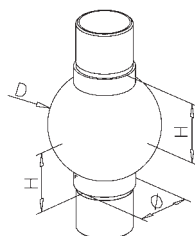


Ø	Art.no.	H	D
25,4 mm (1")	11.0201.025...	28	Ø45
38,1 mm (1,5")	11.0201.038...	40	Ø70

Ball elbow - 202



180°

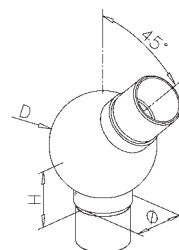


Ø	Art.no.	H	D
25,4 mm (1")	11.0202.025...	28	Ø45
38,1 mm (1,5")	11.0202.038...	40	Ø70

Ball elbow - 203



45°



Ø	Art.no.	H	D
25,4 mm (1")	11.0203.025...	28	Ø45
38,1 mm (1,5")	11.0203.038...	40	Ø70

INFO Finishes



Stainless steel design
Art.no. ...20



Chrome design
Art.no. ...23

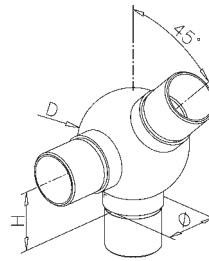


Brass design
Art.no. ...22

Ball elbow - 204



45° with 1 outlet 90°

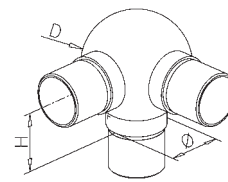


Ø	Art.no.	H	D
25,4 mm (1")	11.0204.025...	28	Ø45
38,1 mm (1,5")	11.0204.038...	40	Ø70

Ball elbow - 205

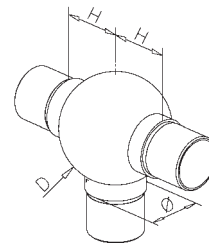


90° with 1 outlet 90°



Ø	Art.no.	H	D
25,4 mm (1")	11.0205.025...	28	Ø45
38,1 mm (1,5")	11.0205.038...	40	Ø70

Ball tee - 206



Ø	Art.no.	H	D
25,4 mm (1")	11.0206.025...	28	Ø45
38,1 mm (1,5")	11.0206.038...	40	Ø70

INFO Finishes



Stainless steel design

Art.no. ...20



Chrome design

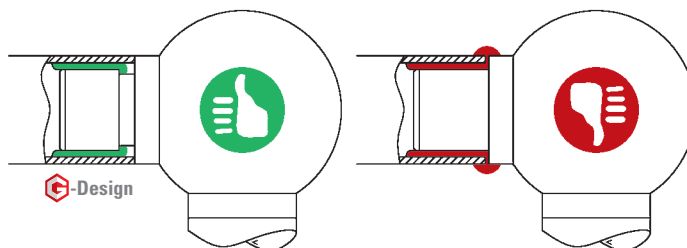
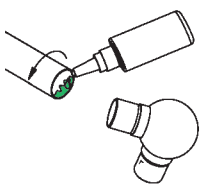
Art.no. ...23



Brass design

Art.no. ...22

INFO Fixation



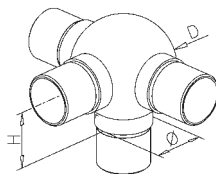
EXTRA-LOCK
50 ml
Metal glue

Art.no.
19.1330.000.00

Ball tee - 207

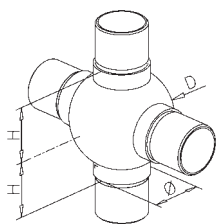


with 1 outlet 90°



Ø	Art.no.	H	D
25,4 mm (1")	11.0207.025...	28	Ø45
38,1 mm (1,5")	11.0207.038...	40	Ø70

Ball cross - 208

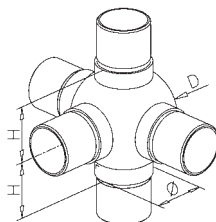


Ø	Art.no.	H	D
25,4 mm (1")	11.0208.025...	28	Ø45
38,1 mm (1,5")	11.0208.038...	40	Ø70

Ball cross - 209



with 1 outlet 90°

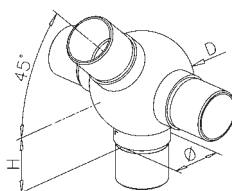


Ø	Art.no.	H	D
25,4 mm (1")	11.0209.025...	28	Ø45
38,1 mm (1,5")	11.0209.038...	40	Ø70

Ball tee - 215



with 1 outlet 45°



Ø	Art.no.	H	D
25,4 mm (1")	11.0215.025...	28	Ø45
38,1 mm (1,5")	11.0215.038...	40	Ø70

INFO Finishes



Stainless steel design
Art.no. ...20



Chrome design
Art.no. ...23

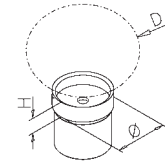


Brass design
Art.no. ...22

Adapter - 724

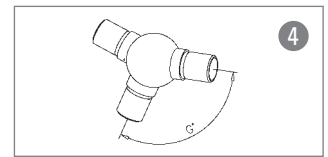
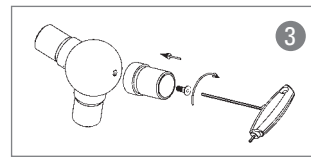
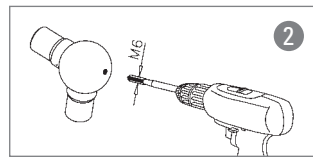
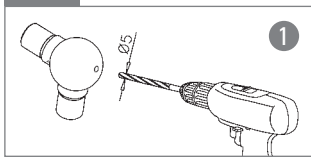


for ball



Ø	Stainless steel design	Chrome design	Brass design	H	D
	Art.no.	Art.no.	Art.no.		
25,4 mm (1")	11.0724.025.20	11.0724.025.23	11.0724.025.22	9,5	Ø45
38,1 mm (1,5")	11.0724.038.20	11.0724.038.23	11.0724.038.22	11	Ø70

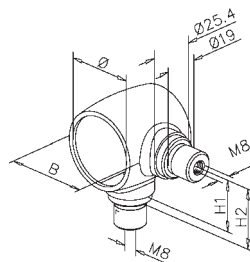
INFO 11.0724...



Socket elbow - 216



with 2 outlets 90°



INFO Finishes

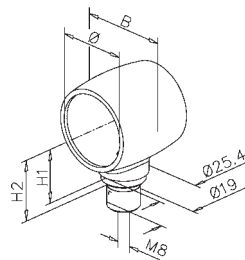


Ø	Stainless steel design	Chrome design	Brass design	Anthracite design	H1	H2	B
	Art.no.	Art.no.	Art.no.	Art.no.			
25,4 mm (1")	12.0216.025.12	12.0216.025.10	11.0216.025.22	11.0216.025.26	20	25	Ø33
38,1 mm (1,5")	11.0216.038.20	11.0216.038.23	11.0216.038.22	11.0216.038.26	30	35	Ø48
50,8 mm (2")	11.0216.050.20				35	40	Ø63

Socket elbow - 217



with 1 outlet 90°



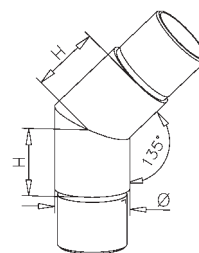
Ø	Stainless steel design	Chrome design	Brass design	Anthracite design	H1	H2	B
	Art.no.	Art.no.	Art.no.	Art.no.			
25,4 mm (1")	11.0217.025.20	11.0217.025.23	11.0217.025.22	11.0217.025.26	20	25	Ø33
38,1 mm (1,5")	11.0217.038.20	11.0217.038.23	11.0217.038.22	11.0217.038.26	30	35	Ø48
50,8 mm (2")	11.0217.050.20				35	40	Ø63

Flush angles

Flush angle - 300



45°

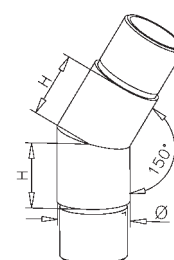


	Stainless steel design	Chrome design	Brass design	Anthracite design	
Ø	Art.no.	Art.no.	Art.no.	Art.no.	H
25,4 mm (1")	11.0300.025.20	11.0300.025.23	11.0300.025.22		25
38,1 mm (1,5")	11.0300.038.20	11.0300.038.23	11.0300.038.22	11.0300.038.26	30
50,8 mm (2")	11.0300.050.20	11.0300.050.23	11.0300.050.22		40

Flush angle - 311



30°

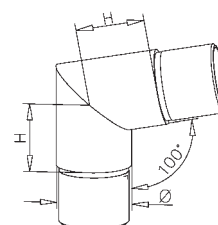


	Stainless steel design	Chrome design	Brass design	Anthracite design	
Ø	Art.no.	Art.no.	Art.no.	Art.no.	H
38,1 mm (1,5")	12.0311.038.12	12.0311.038.10	11.0311.038.22	11.0311.038.26	35

Flush angle - 312

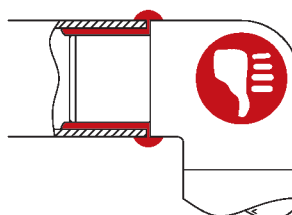
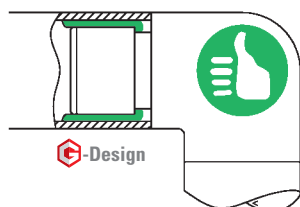
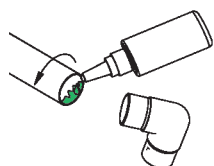


80°



	Stainless steel design	Chrome design	Brass design	Anthracite design	
Ø	Art.no.	Art.no.	Art.no.	Art.no.	H
25,4 mm (1")	11.0312.025.20	11.0312.025.23	11.0312.025.22		25
38,1 mm (1,5")	11.0312.038.20	11.0312.038.23	11.0312.038.22	11.0312.038.26	35

INFO Fixation

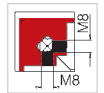
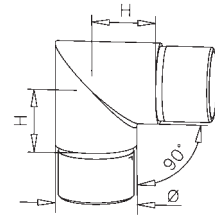


EXTRA-LOCK
50 ml
Metal glue
Art.no.
19.1330.000.00

Flush elbow - 313



90°

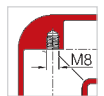
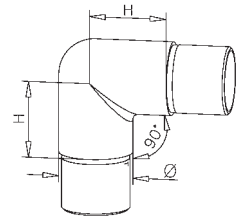


	Stainless steel design	Chrome design	Brass design	Anthracite design	H
Ø	Art.no.	Art.no.	Art.no.	Art.no.	
25,4 mm (1")	12.0313.025.12	12.0313.025.10	11.0313.025.22	11.0313.025.26	25
38,1 mm (1,5")	12.0313.038.12	12.0313.038.10	11.0313.038.22	11.0313.038.26	30

Flush elbow - 303



90°

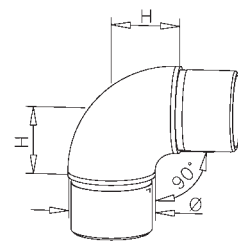


	Stainless steel design	Chrome design	Brass design	Anthracite design	H
Ø	Art.no.	Art.no.	Art.no.	Art.no.	
19,0 mm	11.0303.019.20	11.0303.019.23	11.0303.019.22		20
25,4 mm (1")	11.0303.025.20	11.0303.025.23	11.0303.025.22	11.0303.025.26	25
38,1 mm (1,5")	11.0303.038.20	11.0303.038.23	11.0303.038.22	11.0303.038.26	30
50,8 mm (2")	11.0303.050.20	11.0303.050.23	11.0303.050.22		40

Flush curved elbow - 301



90°



	Stainless steel design	Chrome design	Brass design	H
Ø	Art.no.	Art.no.	Art.no.	
25,4 mm (1")	11.0301.025.20	11.0301.025.23	11.0301.025.22	25
38,1 mm (1,5")	11.0301.038.20	11.0301.038.23	11.0301.038.22	30
50,8 mm (2")	11.0301.050.20	11.0301.050.23	11.0301.050.22	40

INFO Finishes



Stainless steel design



Chrome design



Brass design



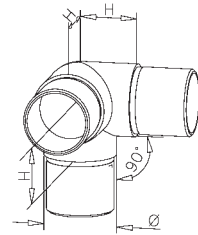
Anthracite design

Flush angles

Flush elbow - 304

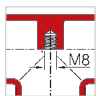
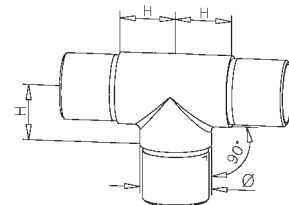


90° with 1 outlet 90°



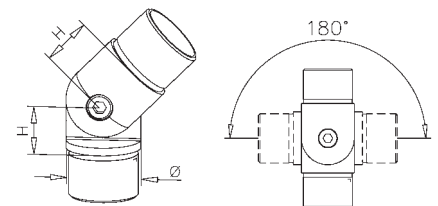
Ø	Stainless steel design	Chrome design	Brass design	Anthracite design	H
	Art.no.	Art.no.	Art.no.	Art.no.	
25,4 mm (1")	11.0304.025.20	11.0304.025.23	11.0304.025.22	11.0304.025.26	25
38,1 mm (1,5")	11.0304.038.20	11.0304.038.23	11.0304.038.22	11.0304.038.26	30
50,8 mm (2")	11.0304.050.20	11.0304.050.23	11.0304.050.22		40

Flush tee - 307



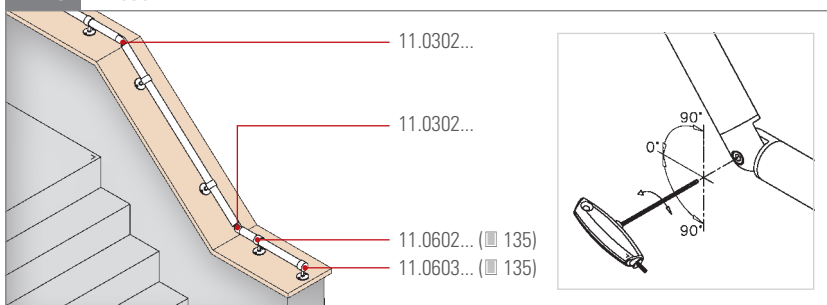
Ø	Stainless steel design	Chrome design	Brass design	Anthracite design	H
	Art.no.	Art.no.	Art.no.	Art.no.	
25,4 mm (1")	11.0307.025.20	11.0307.025.23	11.0307.025.22		25
38,1 mm (1,5")	11.0307.038.20	11.0307.038.23	11.0307.038.22	11.0307.038.26	30

Adjustable flush angle - 302



Ø	Stainless steel design	Chrome design	Brass design	Anthracite design	H
	Art.no.	Art.no.	Art.no.	Art.no.	
38,1 mm (1,5")	11.0302.038.20	11.0302.038.23	11.0302.038.22	11.0302.038.26	25
50,8 mm (2")	11.0302.050.20	11.0302.050.23	11.0302.050.22		30

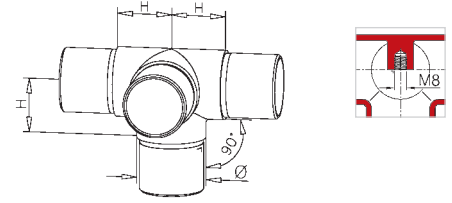
INFO 11.0302...



Flush tee - 308

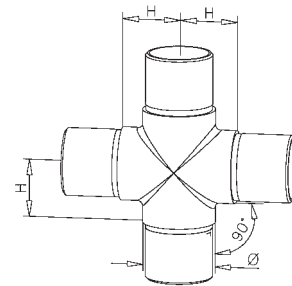


with 1 outlet 90°



	Stainless steel design	Chrome design	Brass design	Anthracite design	H
Ø	Art.no.	Art.no.	Art.no.	Art.no.	
25,4 mm (1")	11.0308.025.20	11.0308.025.23	11.0308.025.22		25
38,1 mm (1,5")	11.0308.038.20	11.0308.038.23	11.0308.038.22	11.0308.038.26	30

Flush cross - 309

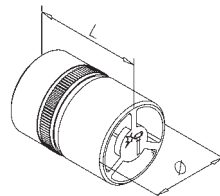


	Stainless steel design	Chrome design	Brass design	H
Ø	Art.no.	Art.no.	Art.no.	
25,4 mm (1")	11.0309.025.20	11.0309.025.23	11.0309.025.22	25
38,1 mm (1,5")	11.0309.038.20	11.0309.038.23	11.0309.038.22	30

INFO Finishes



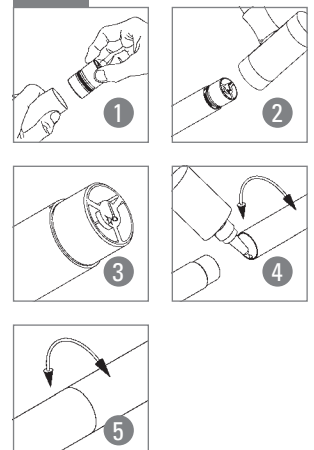
Connector - 790



raw

Ø	Art.no.	L
19,0 mm	11.0790.019.00	30
25,4 mm (1")	11.0790.025.00	40
38,1 mm (1,5")	11.0790.038.00	50
50,8 mm (2")	11.0790.050.00	50

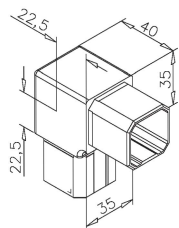
INFO 11.0790...



Flush elbow - 4303 / 035

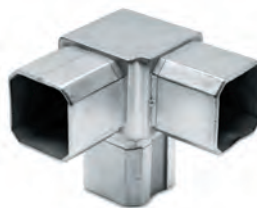


90°
Stainless steel design

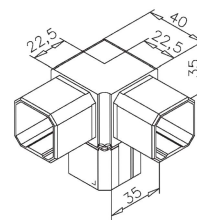


<input type="checkbox"/>	Art.no.
35 x 35 mm	12.4303.035.12

Flush elbow - 4304 / 035



90° with 1 outlet 90°
Stainless steel design

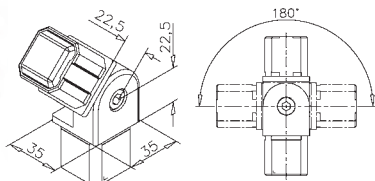


<input type="checkbox"/>	Art.no.
35 x 35 mm	12.4304.035.12

Adjustable flush angle - 4302



-90° / +90°
Stainless steel design

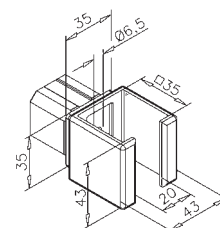


<input type="checkbox"/>	Art.no.
35 x 35 mm	12.4302.035.12

Flush tee - 4726



Stainless steel design

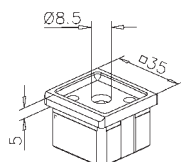


<input type="checkbox"/>	Art.no.
35 x 35 mm	12.4726.035.12

Universal fitting - 4725



flat
Stainless steel design

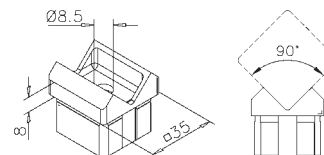


<input type="checkbox"/>	Art.no.
35 x 35 mm	12.4725.035.12

Universal fitting - 4727



45°
Stainless steel design

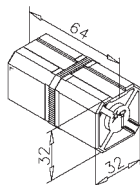


<input type="checkbox"/>	Art.no.
35 x 35 mm	12.4727.035.12

Connector - 4790

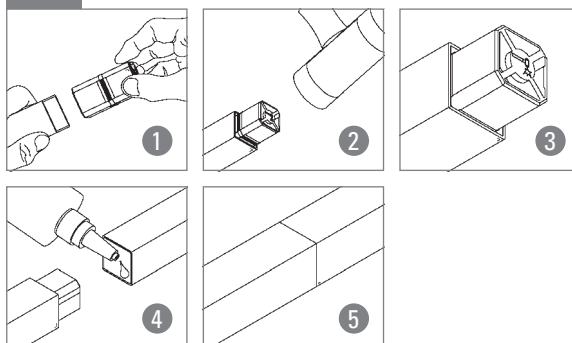


raw

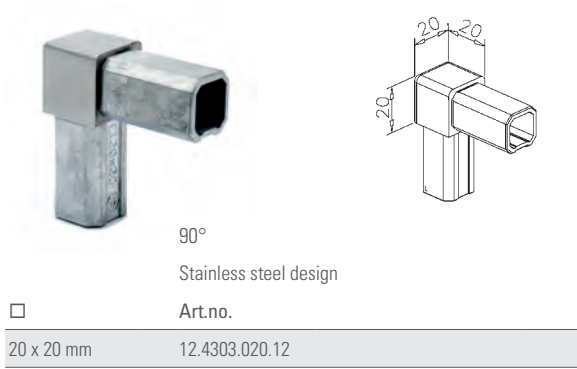


<input type="checkbox"/>	Art.no.
35 x 35 mm	12.4790.035.00

INFO 12.4790.035.00



Flush elbow - 4303 / 020



90°
Stainless steel design

<input type="checkbox"/>	Art.no.
20 x 20 mm	12.4303.020.12

Flush elbow - 4304 / 020



90° with 1 outlet 90°
Stainless steel design

<input type="checkbox"/>	Art.no.
20 x 20 mm	12.4304.020.12

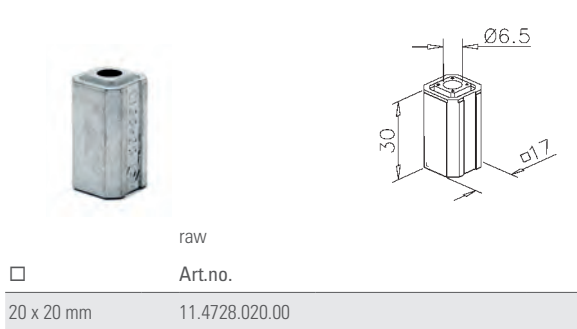
Flush tee - 4308



with 1 outlet 90°
Stainless steel design

<input type="checkbox"/>	Art.no.
20 x 20 mm	12.4308.020.12

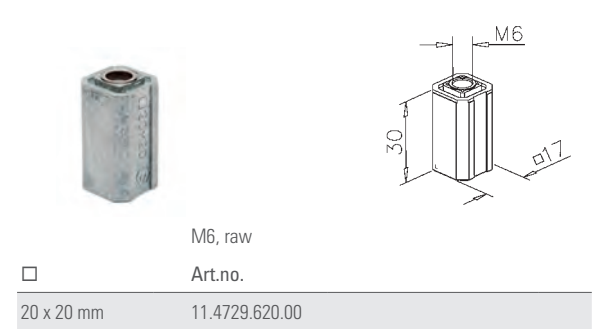
Universal fitting - 4728



raw

<input type="checkbox"/>	Art.no.
20 x 20 mm	11.4728.020.00

Universal fitting - 4729



M6, raw

<input type="checkbox"/>	Art.no.
20 x 20 mm	11.4729.620.00

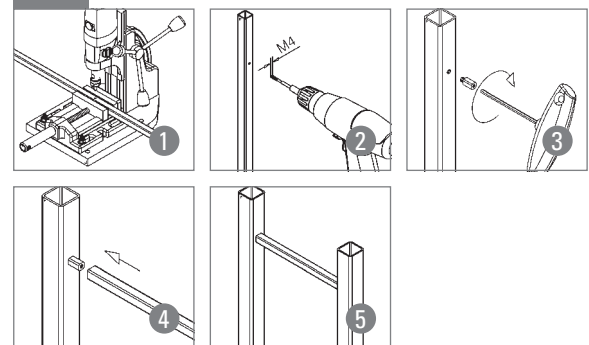
Universal fitting - 4724



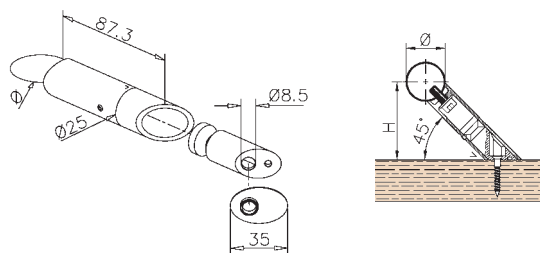
Stainless steel, raw

<input type="checkbox"/>	Art.no.
8 x 8 mm	12.4724.008.00

INFO 12.4724.008.00

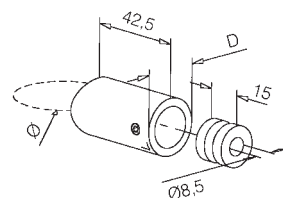


Adapter - 625 / 45°



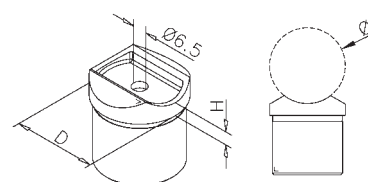
Ø	Stainless steel design	Chrome design	H
	Art.no.	Art.no.	
25,4 mm (1")	12.0625.425.12	12.0625.425.10	71
38,1 mm (1,5")	12.0625.438.12	12.0625.438.10	75

Flat adapter - 625



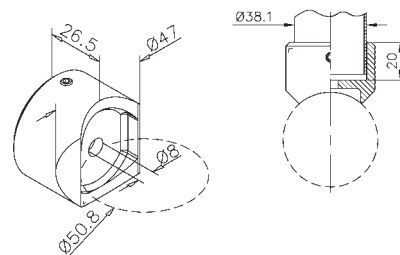
Ø	Stainless steel design	Chrome design	Brass design	Anthracite design	D
	Art.no.	Art.no.	Art.no.	Art.no.	
19,0 mm	12.0625.019.12	12.0625.019.10	11.0625.019.22	11.0625.019.26 NEW	Ø18
25,4 mm (1")	11.0625.025.20	11.0625.025.23	11.0625.025.22	11.0625.025.26	Ø25
38,1 mm (1,5")	11.0625.038.20	11.0625.038.23	11.0625.038.22	11.0625.038.26	Ø25

Universal fitting - 725 / 726 / 727 / 728



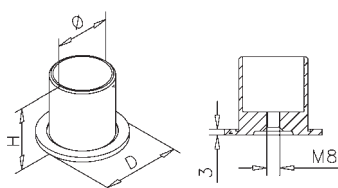
Ø	Stainless steel design	Chrome design	Brass design	Anthracite design	H	D
	Art.no.	Art.no.	Art.no.	Art.no.		
19,0 mm	12.0725.019.12	12.0725.019.10	11.0725.019.22		3	Ø19,0
25,4 mm (1")	12.0725.025.12	12.0725.025.10	11.0725.025.22		3	Ø19,0
50,8 mm (2")	12.0726.050.12		11.0726.050.22		8	Ø50,8 (2")
38,1 mm (1,5")	11.0727.038.20	11.0727.038.23	11.0727.038.22	11.0727.038.26	6	Ø38,1 (1,5")
25,4 mm (1")	12.0728.025.12	12.0728.025.10	11.0728.025.22	11.0728.025.26	3,5	Ø25,4 (1")
38,1 mm (1,5")	12.0728.038.12	12.0728.038.10	11.0728.038.22	11.0728.038.26	3,5	Ø25,4 (1")

Adapter - 724

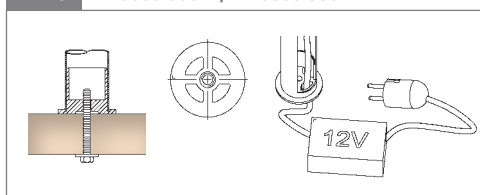


	Stainless steel design	Chrome design
∅	Art.no.	Art.no.
50,8 mm (2")	12.0724.050.12	12.0724.050.10

Tube connector - 500

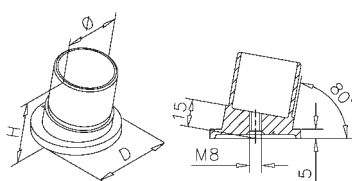


INFO 11.0500.038... / 11.0500.050...



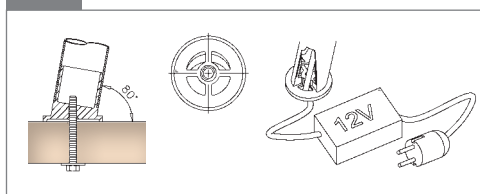
	Stainless steel design	Chrome design	Brass design	Anthracite design		
∅	Art.no.	Art.no.	Art.no.	Art.no.	H	D
19,0 mm	12.0500.019.12	12.0500.019.10	11.0500.019.22		30	∅25
25,4 mm (1")	11.0500.025.20	11.0500.025.23	11.0500.025.22	11.0500.025.26	40	∅40
38,1 mm (1,5")	11.0500.038.20	11.0500.038.23	11.0500.038.22	11.0500.038.26	40	∅50
50,8 mm (2")	11.0500.050.20	11.0500.050.23	11.0500.050.22		50	∅60

Tube connector - 502



80°

INFO 11.0502.038...

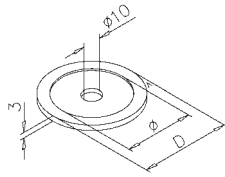


	Stainless steel design	Chrome design	Brass design	Anthracite design		
∅	Art.no.	Art.no.	Art.no.	Art.no.	H	D
25,4 mm (1")	11.0502.025.20	11.0502.025.23	11.0502.025.22		45	∅40
38,1 mm (1,5")	11.0502.038.20	11.0502.038.23	11.0502.038.22	11.0502.038.26	45	∅50

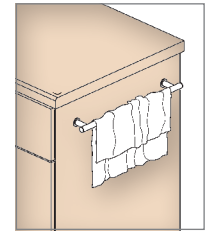
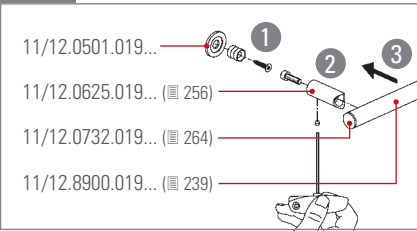
INFO Finishes



Rosette - 501

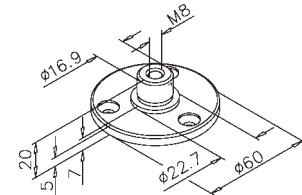


INFO 11/12.0501.019...



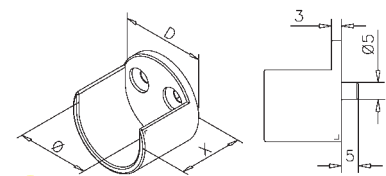
Ø	Stainless steel design	Chrome design	Brass design	D
	Art.no.	Art.no.	Art.no.	
19,0 mm	12.0501.019.12	12.0501.019.10	11.0501.019.22	Ø30
25,4 mm (1")	12.0501.025.12	12.0501.025.10	11.0501.025.22	Ø40
38,1 mm (1,5")	12.0501.038.12	12.0501.038.10	11.0501.038.22	Ø50
50,8 mm (2")	12.0501.050.12	12.0501.050.10	11.0501.050.22	Ø60

Base flange - 503



Ø	Stainless steel design	Chrome design	Brass design	Anthracite design
	Art.no.	Art.no.	Art.no.	Art.no.
25,4 mm (1")	11.0503.025.20	11.0503.025.23	11.0503.025.22	11.0503.025.26

Open flange - 508



NEW

Ø	Stainless steel design	Chrome design	Brass design	Anthracite design	D	X
	Art.no.	Art.no.	Art.no.	Art.no.		
25,4 mm (1")	11.0508.025.20	11.0508.025.23	11.0508.025.22	11.0508.025.26	Ø30	23
38,1 mm (1,5")	11.0508.038.20	11.0508.038.23	11.0508.038.22		Ø45	28

INFO Finishes



Stainless steel design



Chrome design

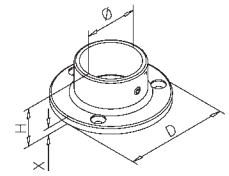


Brass design



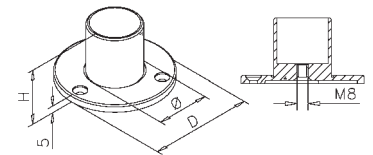
Anthracite design

Flange - 505



Ø	Stainless steel design	Chrome design	Brass design	Anthracite design	H	D	X
	Art.no.	Art.no.	Art.no.	Art.no.			
19,0 mm	12.0505.019.12	12.0505.019.10	11.0505.019.22		15	Ø50	4
25,4 mm (1")	11.0505.025.20	11.0505.025.23	11.0505.025.22	11.0505.025.26	20	Ø60	5
38,1 mm (1,5")	11.0505.038.20	11.0505.038.23	11.0505.038.22	11.0505.038.26	28	Ø75	5
50,8 mm (2")	11.0505.050.20	11.0505.050.23	11.0505.050.22		30	Ø100	5

Flange - 504



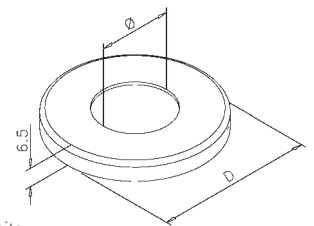
Ø	Stainless steel design	Chrome design	Brass design	Anthracite design	H	D
	Art.no.	Art.no.	Art.no.	Art.no.		
19,0 mm	12.0504.019.12	12.0504.019.10	11.0504.019.22		30	Ø40
25,4 mm (1")	11.0504.025.20	11.0504.025.23	11.0504.025.22	11.0504.025.26	40	Ø52
38,1 mm (1,5")	11.0504.038.20	11.0504.038.23	11.0504.038.22	11.0504.038.26	40	Ø75
50,8 mm (2")	11.0504.050.20	11.0504.050.23	11.0504.050.22		50	Ø100

Base cover - 512

NEW

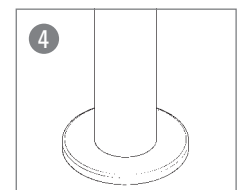
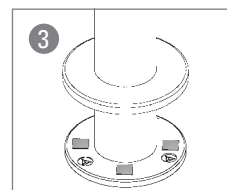
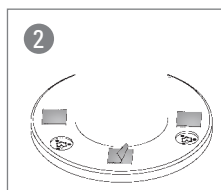
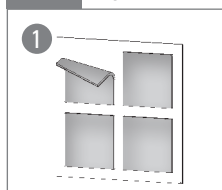


for 11.0504.025... / 11.0504.038...



Ø	Stainless steel design	Chrome design	Brass design	Anthracite design	D
	Art.no.	Art.no.	Art.no.	Art.no.	
25,4 mm (1")	12.0512.025.12	12.0512.025.10	11.0512.025.22	11.0512.025.26	Ø55
38,1 mm (1,5")	12.0512.038.12	12.0512.038.10	11.0512.038.22	11.0512.038.26	Ø78

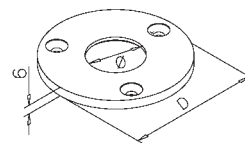
INFO 11/12.0512...



Floor flange - 506



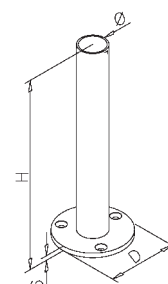
Stainless steel		
Ø	Art.no.	D
22,5 mm	12.0506.025.00	Ø70
35,0 mm	12.0506.038.00	Ø90
48,0 mm	12.0506.050.00	Ø110



Inner tube with flange - 912 / 913



Stainless steel			
Ø	Art.no.	H	D
22,5 mm	12.0912.025.00	250	Ø70
35,0 mm	12.0912.038.00	250	Ø90
48,0 mm	12.0912.050.00	250	Ø110
22,5 mm	12.0913.025.00	830	Ø70
35,0 mm	12.0913.038.00	830	Ø90
48,0 mm	12.0913.050.00	830	Ø110

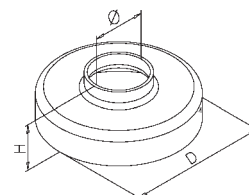


Base cover - 511



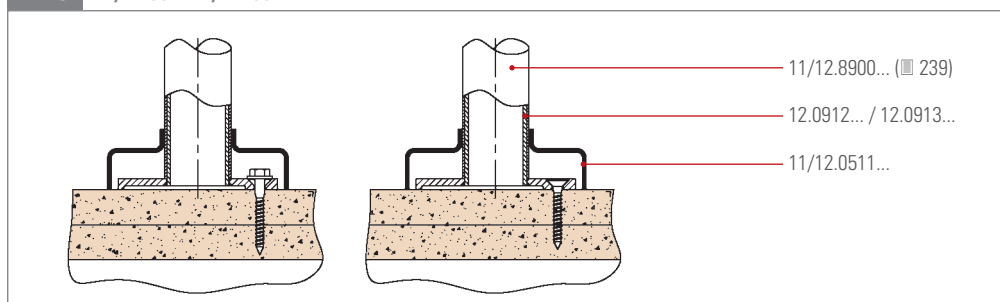
for 12.0912... / 12.0913...

Ø	Stainless steel design	Chrome design	Brass design	Anthracite design	H	D
	Art.no.	Art.no.	Art.no.	Art.no.		
25,4 mm (1")	12.0511.025.12	12.0511.025.10	11.0511.025.22	11.0511.025.22	30	Ø82
38,1 mm (1,5")	12.0511.038.12	12.0511.038.10	11.0511.038.22	11.0511.038.26	34	Ø102
50,8 mm (2")	12.0511.050.12	12.0511.050.10	11.0511.050.22		40	Ø125

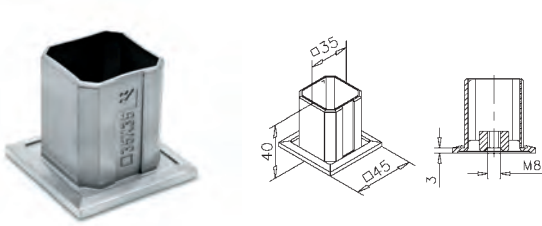


NEW

INFO 11/12.0511... / 12.0912...



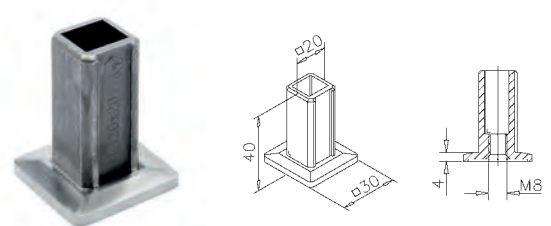
Tube connector - 4500 / 035



Stainless steel design

<input type="checkbox"/>	Art.no.
	35 x 35 mm 12.4500.035.12

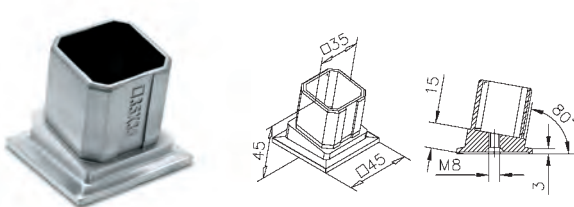
Tube connector - 4500 / 020



Stainless steel design

<input type="checkbox"/>	Art.no.
	20 x 20 mm 12.4500.020.12

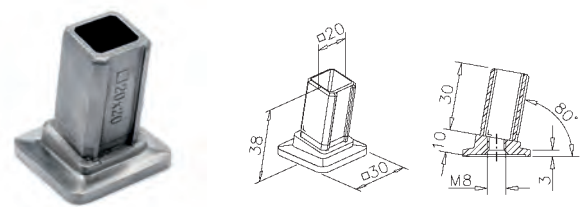
Tube connector - 4502 / 035



80°
Stainless steel design

<input type="checkbox"/>	Art.no.
	35 x 35 mm 12.4502.035.12

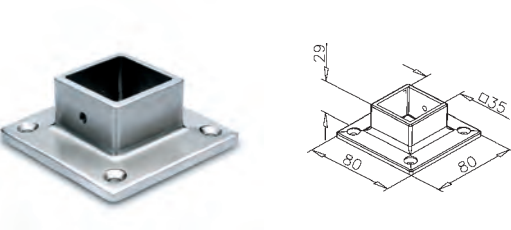
Tube connector - 4502 / 020



80°
Stainless steel design

<input type="checkbox"/>	Art.no.
	20 x 20 mm 12.4502.020.12

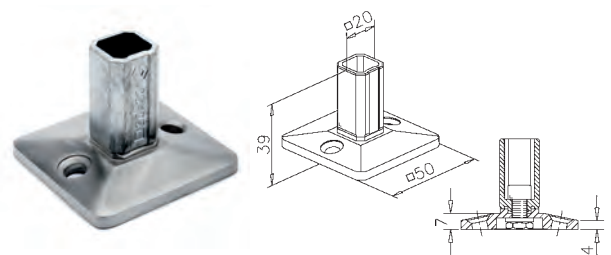
Flange - 4505 / 035



Stainless steel design

<input type="checkbox"/>	Art.no.
	35 x 35 mm 12.4505.035.12

Flange - 4504 / 020



Stainless steel design

<input type="checkbox"/>	Art.no.
	20 x 20 mm 12.4504.020.12



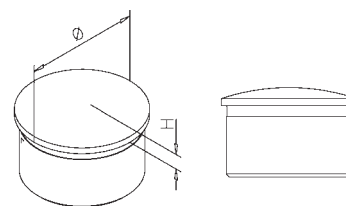


9 End caps and ball tops **264**



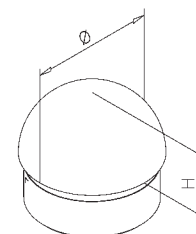
9 Nylon end caps **268**

Arched end cap - 729



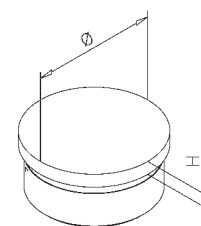
Ø	Stainless steel design	Chrome design	Brass design	Anthracite design	H
	Art.no.	Art.no.	Art.no.	Art.no.	
19,0 mm	12.0729.019.12	12.0729.019.10	11.0729.019.22		3,5
25,4 mm (1")	11.0729.025.20	11.0729.025.23	11.0729.025.22	11.0729.025.26	5
38,1 mm (1,5")	11.0729.038.20	11.0729.038.23	11.0729.038.22	11.0729.038.26	5
50,8 mm (2")	11.0729.050.20	11.0729.050.23	11.0729.050.22		5

Domed end cap - 730



Ø	Stainless steel design	Chrome design	Brass design	Anthracite design	H
	Art.no.	Art.no.	Art.no.	Art.no.	
25,4 mm (1")	11.0730.025.20	11.0730.025.23	11.0730.025.22		13
38,1 mm (1,5")	11.0730.038.20	11.0730.038.23	11.0730.038.22	11.0730.038.26	19
50,8 mm (2")	11.0730.050.20	11.0730.050.23	11.0730.050.22		25

Flat end cap - 732



Ø	Stainless steel design	Chrome design	Brass design	Anthracite design	H
	Art.no.	Art.no.	Art.no.	Art.no.	
19,0 mm	12.0732.019.12	12.0732.019.10	11.0732.019.22	11.0732.019.26 NEW	2
25,4 mm (1")	11.0732.025.20	11.0732.025.23	11.0732.025.22	11.0732.025.26	4
38,1 mm (1,5")	11.0732.038.20	11.0732.038.23	11.0732.038.22	11.0732.038.26	4
50,8 mm (2")	11.0732.050.20	11.0732.050.23	11.0732.050.22		4

INFO Finishes



Stainless steel design



Chrome design

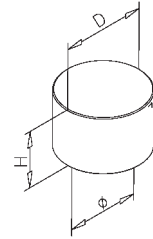


Brass design



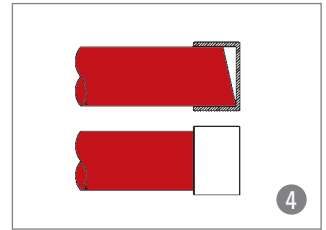
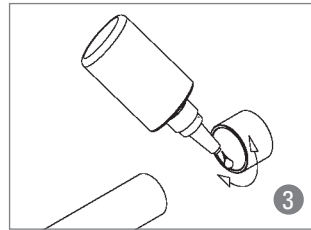
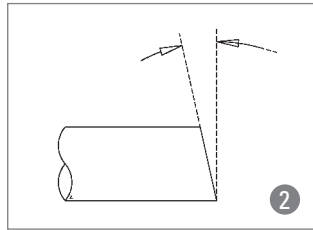
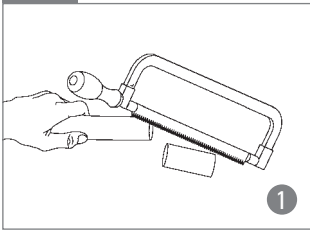
Anthracite design

End cap, fits over tube - 736

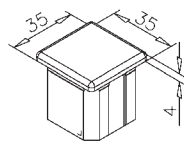


	Stainless steel design	Chrome design	Brass design	H	D
Ø	Art.no.	Art.no.	Art.no.		
	38,1 mm (1,5")	12.0736.038.12	12.0736.038.10	11.0736.038.22	30 Ø44

INFO 11/12.0736...



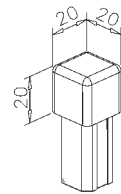
Flat end cap - 4732 / 035



Stainless steel design

□	Art.no.
35 x 35 mm	12.4732.035.12

End cap cube - 4732 / 020

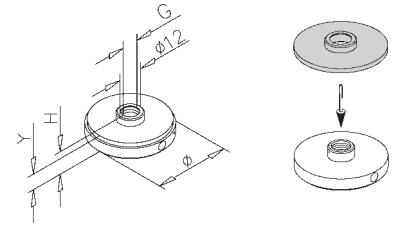
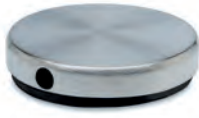


Stainless steel design

□	Art.no.
20 x 20 mm	12.4732.020.12

End caps and ball tops

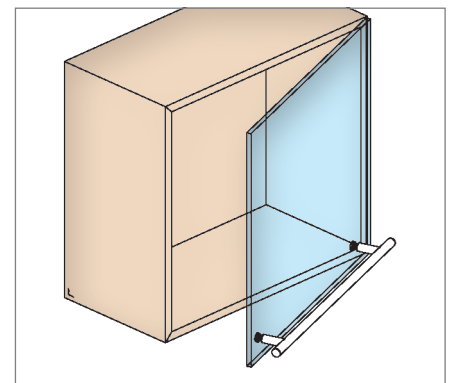
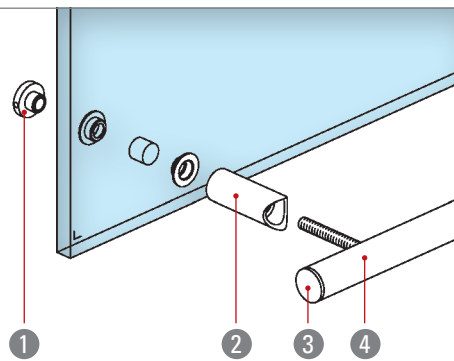
Finial - 731



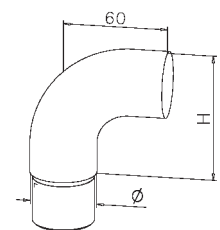
Ø	Stainless steel design	Chrome design	Brass design	Anthracite design	H	Y	G
	Art.no.	Art.no.	Art.no.	Art.no.			
19,0 mm	12.0731.619.12	12.0731.619.10	11.0731.619.22		10	4	M6
25,4 mm (1")	11.0731.025.20	11.0731.025.23	11.0731.025.22	11.0731.025.26	10,5	6	M8
38,1 mm (1,5")	11.0731.038.20	11.0731.038.23	11.0731.038.22	11.0731.038.26	11,5	8	M8
50,8 mm (2")	11.0731.050.20	11.0731.050.23	11.0731.050.22		13,5	10	M8

INFO 11/12.0731.619...

- 1 11/12.0731.619...
- 2 11/12.0625.019... (■ 256)
- 3 11/12.0732.019... (■ 264)
- 4 11/12.8900.019... (■ 239)

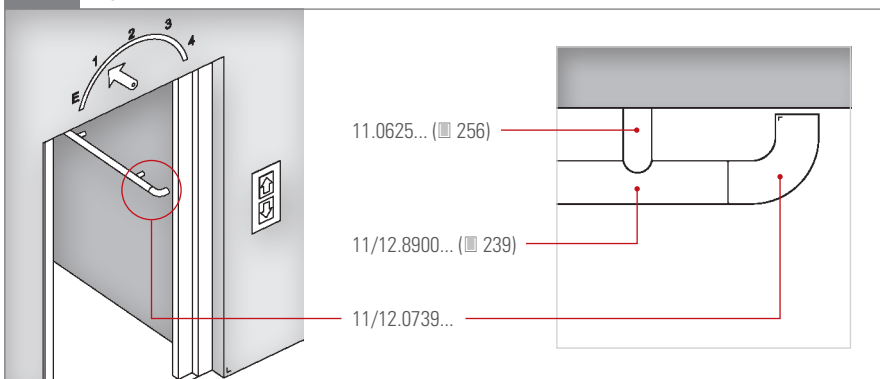


End scroll - 739

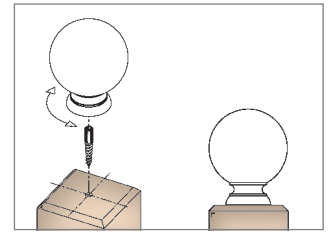
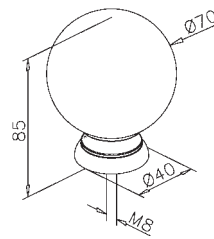


Ø	Stainless steel design	Chrome design	Brass design	H
	Art.no.	Art.no.	Art.no.	
38,1 mm (1,5")	12.0739.038.12	12.0739.038.10	11.0739.038.22	75

INFO 11/12.0739...



Universal angle ball - 211



Stainless steel design

Chrome design

Brass design

Art.no.

Art.no.

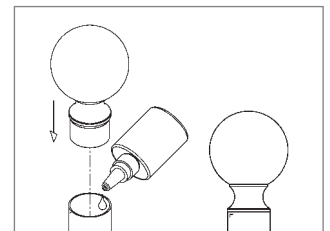
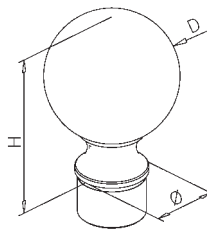
Art.no.

11.0211.050.20

11.0211.050.23

11.0211.050.22

Ball top - 212



Stainless steel design

Chrome design

Brass design

Anthracite design

Ø

Art.no.

Art.no.

Art.no.

Art.no.

H

D

25,4 mm (1")

11.0212.025.20

11.0212.025.23

11.0212.025.22

65

Ø45

38,1 mm (1,5")

11.0212.038.20

11.0212.038.23

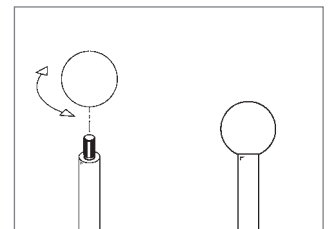
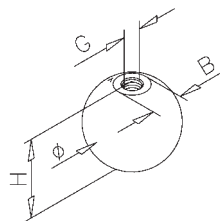
11.0212.038.22

11.0212.038.26

90

Ø70

End ball - 220



Stainless steel design

Chrome design

Brass design

Ø

Art.no.

Art.no.

Art.no.

H

B

G

20 mm

12.0220.020.12

12.0220.020.10

11.0220.020.22

18,5

10,5

M6

25 mm

12.0220.025.12

12.0220.025.10

11.0220.025.22

23,5

12

M8

30 mm

12.0220.030.12

12.0220.030.10

11.0220.030.22

28,5

13

M8

40 mm

12.0220.040.12

12.0220.040.10

11.0220.040.22

38,5

15

M8

INFO Finishes



Stainless steel design



Chrome design

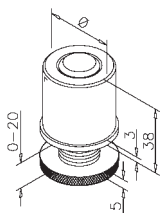


Brass design



Anthracite design

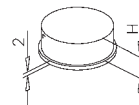
Adjustable end cap - 062



Nylon

Ø	Art.no.
25,4 mm (1")	18.0062.025.00
38,1 mm (1,5")	18.0062.038.00

End cap - 100



Nylon

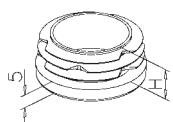
Ø	Art.no.	H
25,4 mm (1")	18.0100.025.00	9
38,1 mm (1,5")	18.0100.038.00	12
50,8 mm (2")	18.0100.050.00	12

INFO Fixation



Nylon glue, 20 g
Art.no. 19.1340.000.00

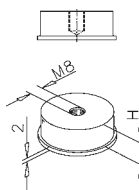
End cap - 108



Nylon

Ø	Art.no.	H
25,4 mm (1")	18.0108.025.00	11,5
38,1 mm (1,5")	18.0108.038.00	11,5
50,8 mm (2")	18.0108.050.00	14,5

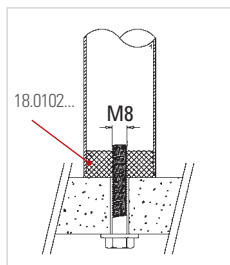
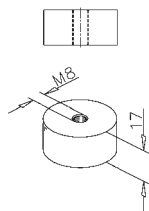
End cap - 101



Nylon

Ø	Art.no.	H
19,0 mm	18.0101.019.00	14
25,4 mm (1")	18.0101.025.00	12
38,1 mm (1,5")	18.0101.038.00	14
50,8 mm (2")	18.0101.050.00	14

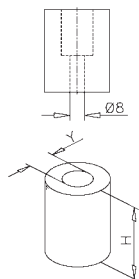
Plug - 102



Nylon

Ø	Art.no.
25,4 mm (1")	18.0102.025.00
38,1 mm (1,5")	18.0102.038.00
50,8 mm (2")	18.0102.050.00

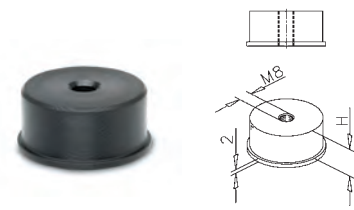
Plug - 103



Nylon

Ø	Art.no.	H	Y
19,0 mm	18.0103.019.00	35	Ø15
25,4 mm (1")	18.0103.025.00	40	Ø17
38,1 mm (1,5")	18.0103.038.00	45	Ø17
50,8 mm (2")	18.0103.050.00	50	Ø17

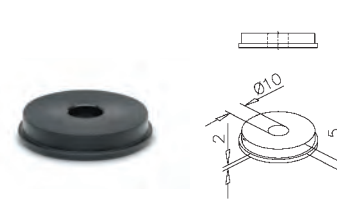
End cap - 104



Nylon

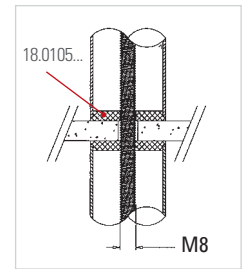
Ø	Art.no.	H
19,0 mm	18.0104.019.00	14
25,4 mm (1")	18.0104.025.00	13
38,1 mm (1,5")	18.0104.038.00	15
50,8 mm (2")	18.0104.050.00	15

End cap - 105

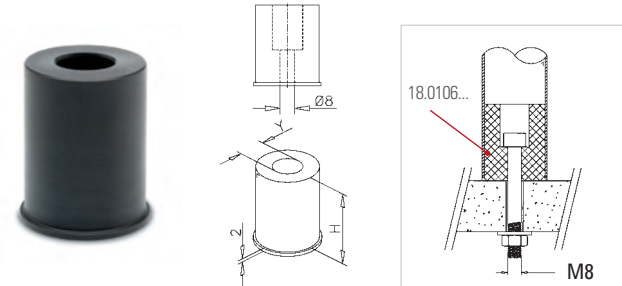


Nylon

Ø	Art.no.
19,0 mm	18.0105.019.00
25,4 mm (1")	18.0105.025.00
38,1 mm (1,5")	18.0105.038.00
50,8 mm (2")	18.0105.050.00



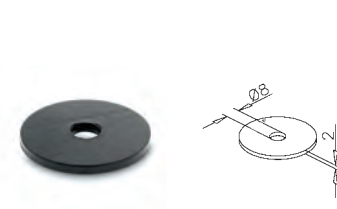
End cap - 106



Nylon

Ø	Art.no.	H	Y
19,0 mm	18.0106.019.00	35	Ø15
25,4 mm (1")	18.0106.025.00	40	Ø17
38,1 mm (1,5")	18.0106.038.00	45	Ø17
50,8 mm (2")	18.0106.050.00	50	Ø17

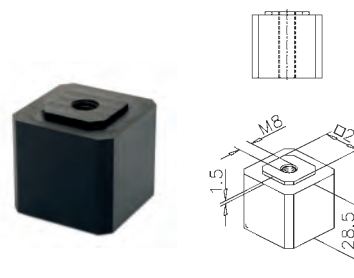
Rosette - 107



Nylon

Ø	Art.no.
25,4 mm (1")	18.0107.025.00
38,1 mm (1,5")	18.0107.038.00
50,8 mm (2")	18.0107.050.00

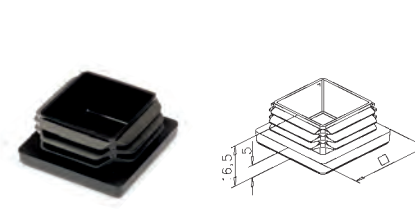
Plug - 4102



Nylon

□	Art.no.
35 x 35 mm	18.4102.035.00

End cap - 100/4



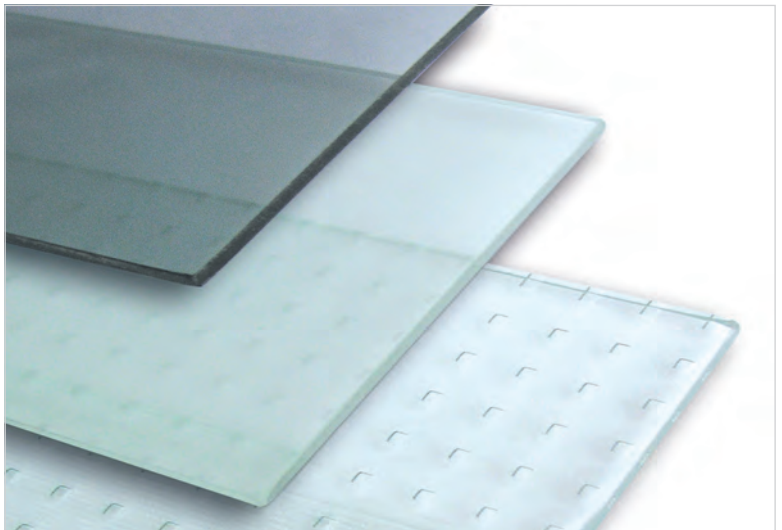
Nylon

□	Art.no.
20 x 20 mm	18.0100.020.00
35 x 35 mm	18.0100.035.00



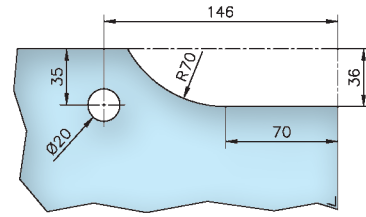
10

Glass and mirrors



Proposal inquiry "Cutted glass"

incl. drill holes and cutouts



Your specifics

Art.no. _____

H _____ mm B _____ mm T _____ mm

Fittings:

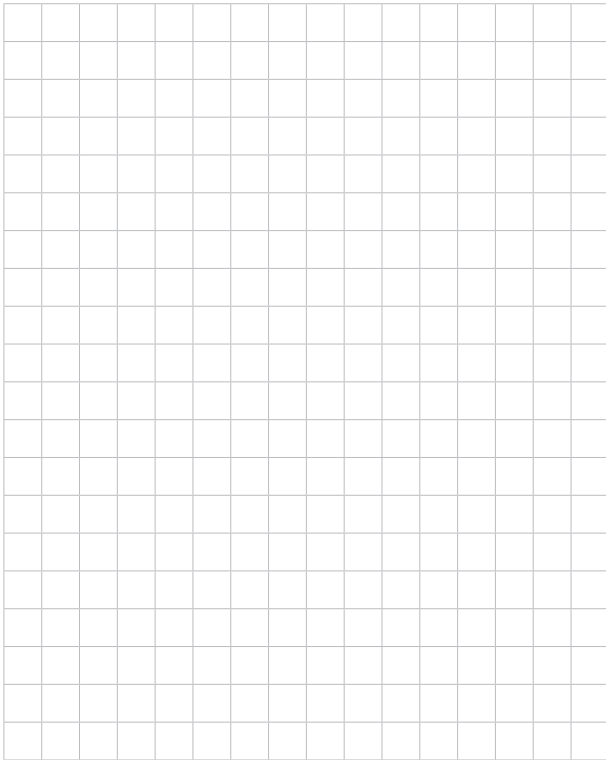
_____ x Art.no. _____

_____ x Art.no. _____

_____ x Art.no. _____

_____ x Art.no. _____

Sketch:



Example

Art.no. **48.1000.010.00**

H **1983** mm B **841** mm T **10** mm

Fittings:

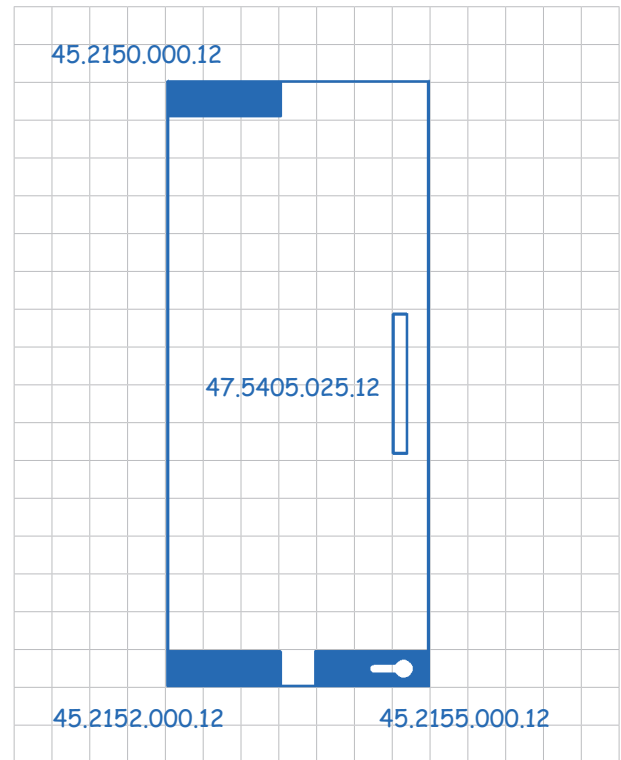
1 x Art.no. **45.2150.000.12**

1 x Art.no. **45.2152.000.12**

1 x Art.no. **45.2155.000.12**

1 x Art.no. **47.5405.025.12**

Sketch:



Sender

Name _____

Company _____

Street _____

Postcode, town _____

Telephone _____

Fax _____

E-Mail _____



10

Toughened glass - 1000



- float -

Art.no.	glass thickness (T)
48.1000.004.00	4 mm
48.1000.005.00	5 mm
48.1000.006.00	6 mm
48.1000.008.00	8 mm
48.1000.010.00	10 mm
48.1000.012.00	12 mm
48.1000.015.00	15 mm

Toughened glass - 2100



- grey -

Art.no.	glass thickness (T)
48.2100.004.00	4 mm
48.2100.006.00	6 mm
48.2100.008.00	8 mm
48.2100.010.00	10 mm

Toughened glass - 2150



- bronze -

Art.no.	glass thickness (T)
48.2150.004.00	4 mm
48.2150.006.00	6 mm
48.2150.008.00	8 mm
48.2150.010.00	10 mm

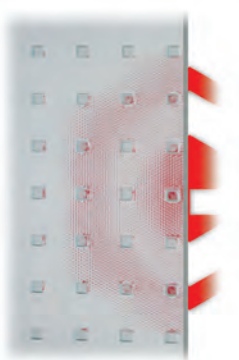
Toughened glass - 2200



- satinato -

Art.no.	glass thickness (T)
48.2200.004.00	4 mm
48.2200.006.00	6 mm
48.2200.008.00	8 mm
48.2200.010.00	10 mm

Toughened glass - 2250



- mastercarré -

Art.no.	glass thickness (T)
48.2250.004.00	4 mm
48.2250.006.00	6 mm
48.2250.008.00	8 mm
48.2250.010.00	10 mm

Laminated glass - 3000



- float -

Art.no.	glass thickness (T)
48.3000.007.00	6,38 mm (3 - 0,38 - 3)
48.3000.009.00	8,76 mm (4 - 0,76 - 4)
48.3000.011.00	10,76 mm (5 - 0,76 - 5)
48.3000.013.00	12,76 mm (6 - 0,76 - 6)

Laminated glass - 3200



- semi-toughened -

Art.no.	glass thickness (T)
48.3200.018.00	17,52 mm (8 - 1,52 - 8)

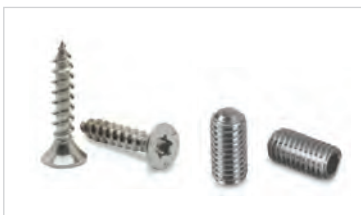
Mirrors - 5000



- silver -

Art.no.	glass thickness (T)
48.5000.004.00	4 mm
48.5000.006.00	6 mm





11 Screws 276



11 Accessories for glass clamps 278



11 Glass supports 280



11 Rubber inlays 281



11 Tools 282



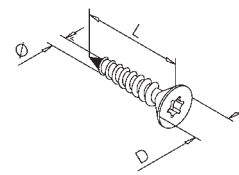
11 Miscellaneous 288

Wood screw - 119



Torx, 50 pieces

Stainless steel design	Chrome design	Brass design	Anthracite design	Ø	D	L
Art.no.	Art.no.	Art.no.	Art.no.			
93.0119.316.12	93.0119.316.23	93.0119.316.22	93.0119.316.26	3	5,7	16
93.0119.416.12	93.0119.416.23	93.0119.416.22	93.0119.416.26	4	7,5	16
93.0119.516.12	93.0119.516.23	93.0119.516.22		5	9,5	16
93.0119.525.12	93.0119.525.23	93.0119.525.22	93.0119.525.26	5	9,5	25

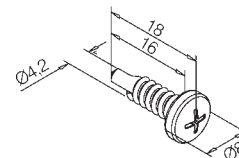


Self drilling cross recessed pan head screw - 010



50 pieces

Stainless steel design	Chrome design	Brass design	Anthracite design
Art.no.	Art.no.	Art.no.	Art.no.
19.0010.000.20	19.0010.000.23	19.0010.000.22	19.0010.000.26

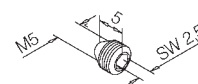


Hexagon socket set screw - 400 / 05



10 pieces

Stainless steel design	Chrome design	Brass design	Anthracite design
Art.no.	Art.no.	Art.no.	Art.no.
93.0400.505.12	93.0400.505.12	93.0400.505.22	93.0400.505.26

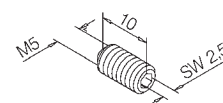


Hexagon socket set screw - 400 / 10



10 pieces

Stainless steel design	Chrome design	Brass design	Anthracite design
Art.no.	Art.no.	Art.no.	Art.no.
93.0400.510.12	93.0400.510.12	93.0400.510.22	93.0400.510.26



Hexagonal thread screw - 609



M8 x 60 mm, zinc-plated
10 pieces

Art.no.

93.0609.860.15

Hexagon socket head cap screw - 680



M8 x 20 mm, zinc-plated
50 pieces

Art.no.

93.0680.820.15

Hexagonal screw - 110



Ø 5,5 mm, L 54 mm, SW 10, zinc-plated
10 pieces

Art.no.

19.0110.000.00

Thread - 800



M8, zinc-plated
1 piece

Art.no.

L

93.0800.810.15 1000 mm

93.0800.820.15 2000 mm

93.8800.820.15 cutted

Dowel screw - 100



M5 x 25 mm, zinc-plated
50 pieces

Art.no.

93.0100.525.00

M8 x 50 mm, zinc-plated
10 pieces

Art.no.

19.0100.000.00

Hexagon socket countersunk head cap screw - 670



M6 x 20 mm, 304 (V2A)
50 pieces

Art.no.

93.5670.620.12

M8 x 25 mm, 304 (V2A)
50 pieces

Art.no.

93.5670.825.12

Hexagon socket head cap screws - 680



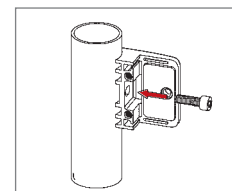
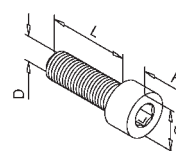
50 pieces

304 (V2A) - for models 23, 27 in stainless steel

Art.no.	L	H	Ø	D
93.0680.612.12	12	4	10	M6

316 (V4A) - for models 20-22, 24, 26, 28, 44-52 in stainless steel

Art.no.	L	H	Ø	D
93.0680.820.14	20	8	13	M8



zinc-plated - for models 23, 27 in zintec

Art.no.	L	H	Ø	D
93.0680.612.15	12	4	10	M6

zinc-plated - for models 20-22, 26, 44, 46 in zintec

Art.no.	L	H	Ø	D
93.0680.820.15	20	8	13	M8

Hexagon socket countersunk head cap screws - 670



50 pieces

304 (V2A) - for models 23, 27 in stainless steel

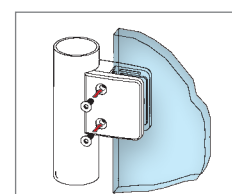
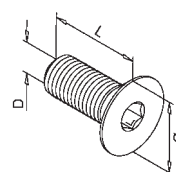
Art.no.	L	Ø	D
93.0670.410.12	10	8	M4

316 (V4A) - for models 20-22, 28, 44-52 in stainless steel

Art.no.	L	Ø	D
93.0670.616.14	16	12	M6

316 (V4A) - for models 24, 26 in stainless steel

Art.no.	L	Ø	D
93.0670.620.14	20	12	M6



zinc-plated - for models 23, 27 in zintec

Art.no.	L	Ø	D
93.0670.410.15	10	8	M4

zinc-plated - for models 20-22, 44, 46 in zintec

Art.no.	L	Ø	D
93.0670.616.15	16	12	M6

zinc-plated - for model 26 in zintec

Art.no.	L	Ø	D
93.0670.620.15	20	12	M6

Nylon cover caps - 5010 / 5018



for lateral screws

Art.no.	Colour	Pcs. / clamp
for models 20-22, 24, 26, 44-52		
19.5010.000.00	raw (grey)	2
19.5010.000.20	Stainless steel design	2
19.5010.000.22	Brass design	2
19.5010.000.23	Chrome design	2
for model 28		
19.5010.060.00	raw (grey)	2
19.5010.060.20	Stainless steel design	2
19.5010.060.23	Chrome design	2
for models 23, 27		
19.5018.000.20	Stainless steel design	2
19.5018.000.22	Brass design	2
19.5018.000.23	Chrome design	2
19.5018.000.26	Anthracite design	2

Security pins - 5015



316 (V4A)

Art.no.	for glass clamp model
19.5015.014.00	23, 27
19.5015.022.00	22, 28
19.5015.025.00	26
19.5015.030.00	24

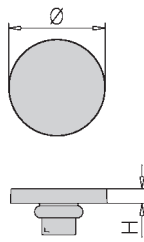
Rubber inlays - 5000...



Art.no.	glass (mm)	Pcs. / clamp
for model 20		
19.5000.006.00	6	2
19.5000.007.00	6,76 (3 - 0,76 - 3)	2
19.5000.008.00	8	2
for model 21		
19.5002.006.00	6	2
19.5002.007.00	6,76 (3 - 0,76 - 3)	2
19.5002.008.00	8	2
19.5002.009.00	8,76 (4 - 0,76 - 4)	2
19.5002.010.00	10	2
19.5002.044.00	9,52 (4 - 1,52 - 4)	2
for model 22		
19.5004.006.00	6	2
19.5004.007.00	6,76 (3 - 0,76 - 3)	2
19.5004.008.00	8	2
19.5004.009.00	8,76 (4 - 0,76 - 4)	2
19.5004.010.00	10	2
19.5004.044.00	9,52 (4 - 1,52 - 4)	2
for model 23		
19.5016.004.00	4	2
19.5016.006.00	6	2
19.5016.008.00	8	2
19.5016.032.00	6,76 (3 - 0,76 - 3)	2
19.5016.042.00	8,76 (4 - 0,76 - 4)	2
for model 24		
19.5007.012.00	12	2
19.5007.013.00	12,76 (6 - 0,76 - 6)	2
19.5007.017.00	16,76 (8 - 0,76 - 8)	2
19.5007.018.00	17,52 (8 - 1,52 - 8)	2
19.5007.044.00	9,52 (4 - 1,52 - 4)	2
19.5007.054.00	11,52 (5 - 1,52 - 5)	2
19.5007.064.00	13,52 (6 - 1,52 - 6)	2
for model 26		
19.5011.008.00	8	2
19.5011.009.00	8,76 (4 - 0,76 - 4)	2
19.5011.010.00	10	2
19.5011.011.00	10,76 (5 - 0,76 - 5)	2
19.5011.012.00	12	2
19.5011.013.00	12,76 (6 - 0,76 - 6)	2
19.5011.054.00	11,52 (5 - 1,52 - 5)	2

Art.no.	glass (mm)	Pcs. / clamp
for model 27		
19.5012.004.00	4	2
19.5012.006.00	6	2
19.5012.008.00	8	2
19.5012.032.00	6,76 (3 - 0,76 - 3)	2
19.5012.042.00	8,76 (4 - 0,76 - 4)	2
for model 28		
19.5001.006.00	6	2
19.5001.008.00	8	2
19.5001.009.00	8,76 (4 - 0,76 - 4)	2
19.5001.010.00	10	2
19.5001.011.00	10,76 (5 - 0,76 - 5)	2
19.5001.012.00	12	2
19.5001.013.00	12,76 (6 - 0,76 - 6)	2
19.5001.044.00	9,52 (4 - 1,52 - 4)	2
19.5001.054.00	11,52 (5 - 1,52 - 5)	2
for model 44 / 46		
19.5008.008.00	8	2 / 4
19.5008.009.00	8,76 (4 - 0,76 - 4)	2 / 4
19.5008.010.00	10	2 / 4
19.5008.011.00	10,76 (5 - 0,76 - 5)	2 / 4
19.5008.012.00	12	2 / 4
19.5008.013.00	12,76 (6 - 0,76 - 6)	2 / 4
for model 51 / 52		
19.5005.008.00	8	2 / 4
19.5005.009.00	8,76 (4 - 0,76 - 4)	2 / 4
19.5005.010.00	10	2 / 4
19.5005.011.00	10,76 (5 - 0,76 - 5)	2 / 4
19.5005.013.00	12,76 (6 - 0,76 - 6)	2 / 4
for model 0746		
19.5030.030.00	6 - 16	2

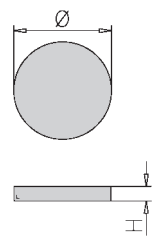
Glass supports - 6010



plug-in assembly

Art.no.	Ø	H	
19.6010.012.00	12 mm	2,0 mm	100 pieces
19.6010.016.00	16 mm	2,5 mm	100 pieces
19.6010.020.00	20 mm	3,0 mm	100 pieces

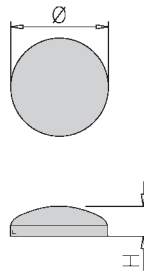
Glass supports - 6030



self-adhesive

Art.no.	Ø	H	
19.6030.012.00	12 mm	1,6 mm	280 pieces

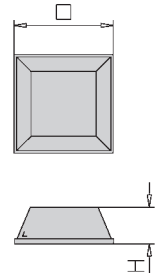
Glass supports - 6040



self-adhesive

Art.no.	Ø	H	
19.6040.006.00	6,4 mm	1,9 mm	561 pieces
19.6040.007.00	7,9 mm	2,5 mm	392 pieces
19.6040.008.00	8,0 mm	2,2 mm	392 pieces
19.6040.010.00	10,0 mm	3,1 mm	288 pieces

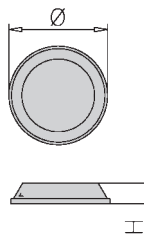
Glass supports - 6050



self-adhesive

Art.no.	□	H	
19.6050.202.00	20,5 mm	7,5 mm	78 pieces

Glass supports - 6060



self-adhesive

Art.no.	Ø	H	
19.6060.012.00	12,7 mm	3,5 mm	200 pieces
19.6060.019.00	19,0 mm	4,0 mm	84 pieces

Rubber ring - 5031 / 10-15



for 11.0680... - 11.0686...

Art.no.	Ø	
19.5031.010.00	9 mm	for 11.0680.006... - 11.0686.006...
19.5031.015.00	14 mm	for 11.0680.010... - 11.0686.010...

Rubber inlay - 5033 / 19-50



for 11/12.0731...

Art.no.	Ø
19.5033.019.00	19,0 mm
19.5033.025.00	25,4 mm (1")
19.5033.038.00	38,1 mm (1,5")
19.5033.050.00	50,8 mm (2")

Rubber inlay - 5031 / 50



for 11.0121.000...

Art.no.	Ø
19.5031.050.00	50,8 mm (2")

Rubber inlay - 5033 / 50



for 11.0121.000...

Art.no.	Ø
19.5033.050.00	50,8 mm (2")

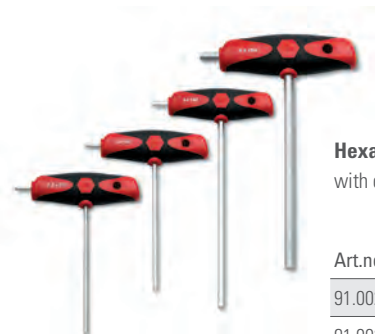
Rubber strip - 6020



for shelf support

Art.no.	L
19.6020.200.00	200 mm
19.6020.300.00	300 mm

Screwdriver - 020



Hexagon socket
with cross grip and side take-off

Art.no.	
91.0020.925.01	2,5
91.0020.930.01	3,0
91.0020.940.01	4,0
91.0020.960.01	6,0

Screwdriver - 021



Torx
with cross grip and side take-off

Art.no.	
91.0021.910.01	T10
91.0021.915.01	T15
91.0021.925.01	T25

Bit - 050



Hexagon socket
hard and tough coated

Art.no.	
91.0050.925.65	2,5
91.0050.930.65	3,0
91.0050.940.65	4,0
91.0050.960.65	6,0

Bit - 051



Torx
diamond-coated

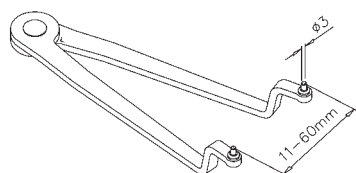
Art.no.	
91.0051.910.66	T10
91.0051.915.66	T15
91.0051.925.66	T25

Pin wrench - 010



adjustable, steel

Art.no.	
91.0010.003.03	



Cable cutter - 7800



Art.no.	
91.7800.000.00	

Mounting tool - 7900



for roller bearing - 802

Art.no.	
91.7900.000.00	

Portable saw - 8300



Saw (without saw blade)

Art.no.

91.8300.000.00

Saw blade 250 x 2,0 x 32 mm

Art.no.

92.0090.002.09

Maximum cutting capacities

90° Cutting	45° Bevel cutting left
○ 85 mm	○ 80 mm
□ 75 mm	□ 75 mm
▭ 100 x 65 mm	▭ 90 x 60 mm

Technical data

Motor 0,8 kW - 230 V

Speed 54 RPM

Saw blade diameter 250 mm

Weight 38 kg

Saw blade 250 x 2,0 x 32 mm
for profiles up to 2,0 mm wall thickness

Mobile flow drilling machine - 8000



with drill stand

Art.no.

91.8000.000.00

Flowdrilling

- bush length up to 3 times of original material thickness
- useful for strong threads with high pull out strength
- replaces weld nuts, rivet nuts or press nuts
- materials from 0.8 to 2.5 mm thickness

Standard set includes

- hand drill unit
- drilling rig
- vice (max. spanning width Ø 50,8 mm)
- system case containing
 - Flowdrill tools for M6 + M8
 - Flowtaps for M6 + M8
 - lubricants for tapping
 - incl. T-slot spanners
 - customized tool holder incl. collets for M6 + M8
 - spanners

Specifications

rated input power:

1.020 W, 230 V, 50/60 Hz

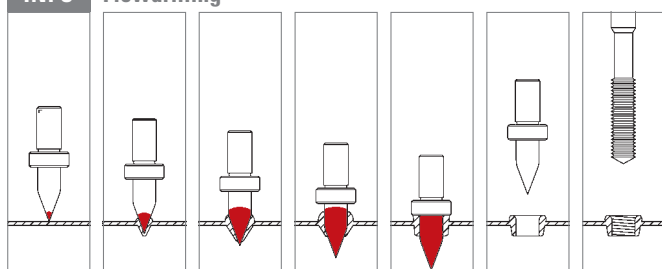
drill chuck with expandable range:

Ø 1,5 - 13 mm (for use with standard spiral drills)

collet tap holder:

Ø 6 + 8 mm (for Flowdrilling)

INFO Flowdrilling



Suction lifter - 1500

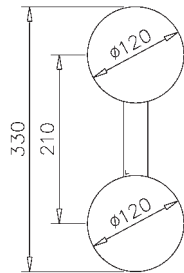


2-cup, Trio-Grip, aluminium

Art.no.

91.1500.000.00

max. 60 



Suction lifter - 1600

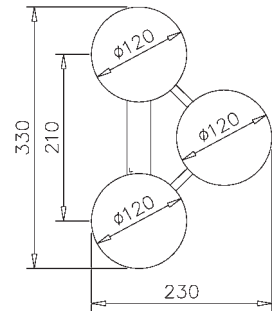


3-cup, Trio-Grip, aluminium

Art.no.

91.1600.000.00

max. 80 



Seaming tool - 1750



Art.no.

91.1750.000.00

max. 150 

Suction lifter - 1700

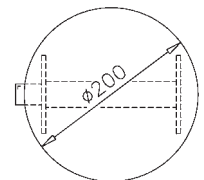


Powr-Grip, Lexan

Art.no.

91.1700.000.00

max. 57 



Spare suction pad - 1720

200 mm for Powr-Grip

Art.no.

91.1720.000.00

Spare suction pump - 1710

for Powr-Grip

Art.no.

91.1710.000.00

Oil glass cutter - 1000



for glass thickness 0,8 - 12 mm

Art.no.

91.1000.000.00

Carbide oil glass cutter - 1010



for glass thickness 2 - 12 mm

Art.no.

91.1010.000.00

Glass cutoil - 1020



Art.no.

91.1020.000.00	250 ml
----------------	--------

Radius corner template - 1110



Art.no.

R

91.1110.000.00	10 - 70 mm
----------------	------------

Circle cutter - 1100



for glass thickness 2 - 8 mm

Art.no.

Ø

91.1100.040.00	- 400 mm
----------------	----------

91.1100.060.00	- 600 mm
----------------	----------

91.1100.120.00	- 1200 mm
----------------	-----------

L square - 1200



with brace

Art.no.

L

91.1200.080.00	800 mm
----------------	--------

91.1200.105.00	1050 mm
----------------	---------

91.1200.150.00	1500 mm
----------------	---------

91.1200.205.00	2050 mm
----------------	---------

Cut running pliers - 1300



3-points, for glass thickness 6 - 16 mm

Art.no.	L
91.1300.000.00	230 mm

Glass breaking pliers - 1400



W 22 mm, for glass thickness 5 - 12 mm

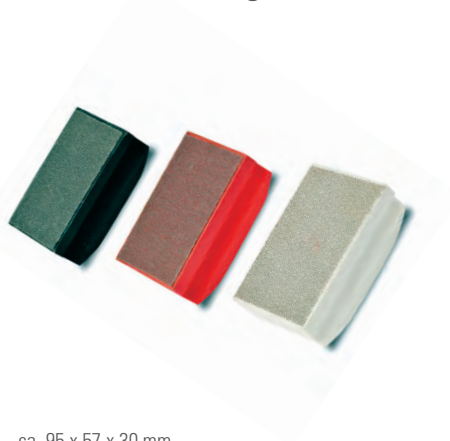
Art.no.	L
91.1400.000.00	220 mm

Tajima - Universal glassknife - 2500



Art.no.	
91.2500.000.00	235 x 75 mm

Diamond hand grinder - 2100...



ca. 95 x 57 x 30 mm

Art.no.	
91.2100.000.00	K120
91.2110.000.00	K200
91.2120.000.00	K400

Glass scraper - 2700



metal

Art.no.	B
91.2700.000.00	40 mm

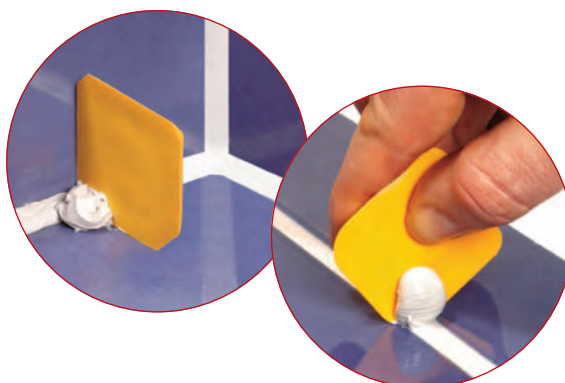
Spare scraper knives - 2710



100 pieces

Art.no.	B
91.2710.000.00	40 mm

Sealant template - 2600



"Fugen-ASS" (set of 4 pieces)

Art.no.

91.2600.000.00

Cork protector pads - 2300

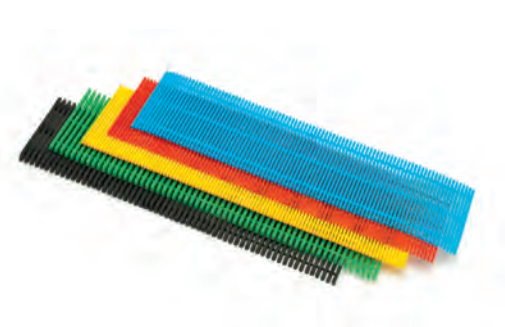


with adhesive foam
(roll of 10.000 pieces)

Art.no.

91.2300.184.00 18 x 18 x 4 mm

Vario-Stabi plastic blocks - 2310...



Art.no.

91.2310.000.00 300 x 80 x 2 mm

91.2320.000.00 300 x 80 x 3 mm

91.2330.000.00 300 x 80 x 4 mm

91.2340.000.00 300 x 80 x 5 mm

91.2350.000.00 300 x 80 x 6 mm

Glass sponge - 2400



hardwood

Art.no.

91.2400.000.00 280 x 70 mm

Lining tool "Roller" - 2902



for rubber gaskets

Art.no.

91.2902.000.00

Protective kid gloves - 2010



pair
with knitted cuff

Art.no.

91.2010.000.00

Glassprotecting gloves - 2020



pair
"Finegrip", size 10, latexcoating

Art.no.

91.2020.000.00

Latex gloves - 2000



100 pieces
size L, powdered

Art.no.

91.2000.000.00

Protective gloves - 700



pair

Art.no.

19.0700.000.00

Hand protection lap - 2040



with thumb hole
thickness ca. 2,0 mm

Art.no.

91.2040.000.00 ca. 130 x 170 mm

Wristprotector - 2030



pair
with Velcro strip, splitleather

Art.no.

91.2030.000.00 W
ca. 160 mm

Trolley - 7700



for guidance posts

Art.no.

91.7700.001.00 single
91.7700.002.00 double



Protecting spray - 600



EXTRA-CLEAN, 300 ml
- without propellant -

Art.no.

19.0600.000.00

Glass cleaner - 1800



30 pieces

Art.no.

91.1800.000.00

Metal glue - 1330



EXTRA-LOCK, 50 ml
Consumption per bonding ca. 1 ml

Art.no.

19.1330.000.00

Nylon glue - 1340



20 g

Art.no.

19.1340.000.00

Protective glasses - 2050



Art.no.

91.2050.000.00

UV-Glue stick - 1360



Art.no.

19.1360.000.00

Redacryl - high performance tape - 2800



9,0 x 1,0 mm

Art.no.

L

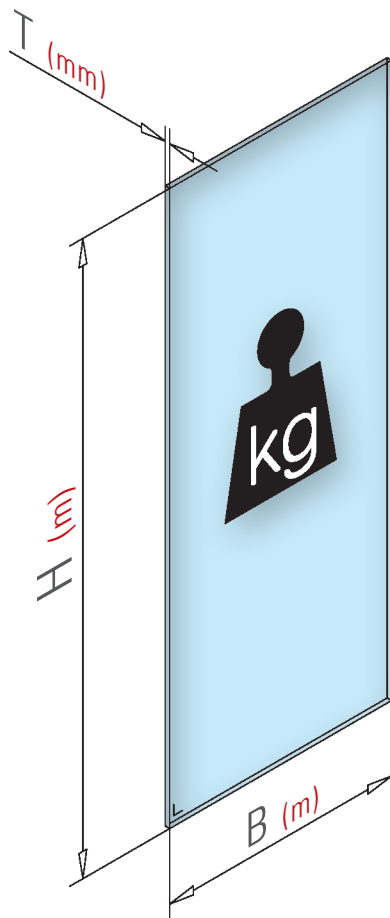
91.2800.005.00 5 m

91.2800.000.00 33 m

Impressions



INFO Glass calculation



$$\text{kg} = B_{(m)} \times H_{(m)} \times 2,5 \times T_{(mm)}$$

B = m
 H = m
 T = mm!!!

Example

B = 1,2 m
 H = 1,9 m
 T = 12 mm

$$1,2 \times 1,9 \times 2,5 \times 12 = 68,4 \text{ kg}$$

INFO Finishes



Stainless steel design



Chrome design

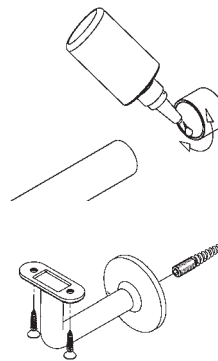


Brass design



Anthracite design

INFO Mounting



All G-FITTINGS products are glued or screwed during assembly. Matching screws are always included. If you plan to weld, please contact us in advance.

INFO Dimensions



All G-FITTINGS products that are marked with this symbol, are produced according to order. Other dimensions as specified in the catalogue, are individually possible.



Germany

Marie-Curie-Straße 16-18
D-46446 Emmerich am Rhein

T +49 (0) 28 22 / 962-0

F +49 (0) 28 22 / 962-221

E sales@g-fittings.com

I www.g-fittings.com

UK and Eire

T +44 (0) 17 82 / 491 030

E sales@g-fittings.co.uk

I www.g-fittings.co.uk